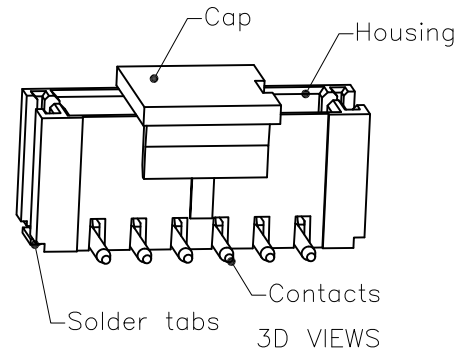
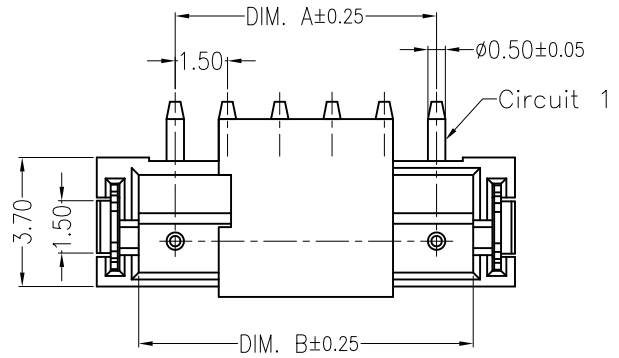
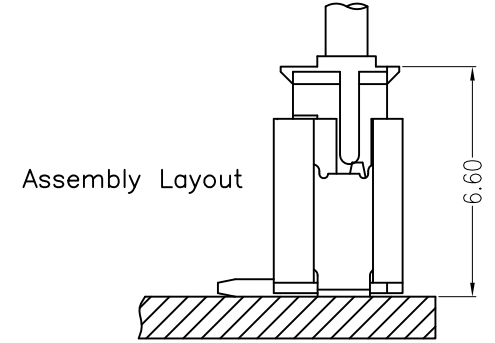
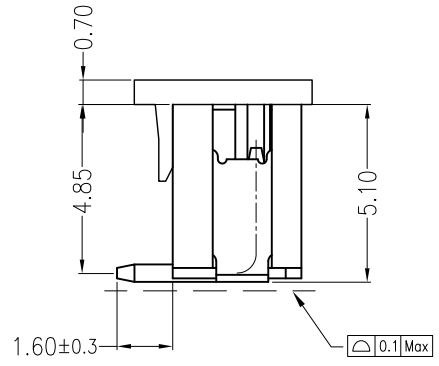
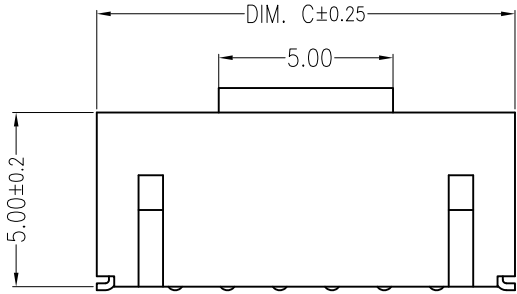
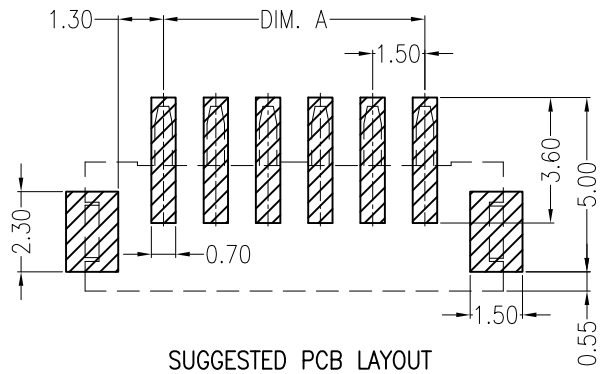
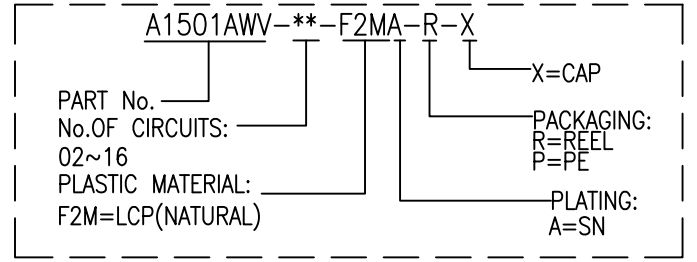


| REV | DESCRIPTION | DESIGN | DATE |
|-----|----------------|--------------|------------|
| A0 | NEW RELEASE | Wudanping | 2016/05/05 |
| A2 | Change the cap | Jiangjianyin | 2018/05/04 |



Specifications:
 Contact resistance: ≤20mΩ
 Insulation resistance: ≥500MΩ
 Rated voltage: 125V AC DC
 Rated current: 1.0A AC DC
 Withstand voltage: 500V AC/minute
 Temperature range: -25°C ~ +105°C
 Housing: LCP UL94V-0, Natural
 Cap: LCP UL94V-0, Natural
 Contacts: Brass/Sn
 Solder tabs: Phosphor bronze/Sn

ORDER INFORMATION:



| Circuits | Dimensions (mm) | | |
|----------|-----------------|--------|--------|
| | DIM. A | DIM. B | DIM. C |
| 02 | 1.50 | 3.60 | 6.00 |
| 03 | 3.00 | 5.10 | 7.50 |
| 04 | 4.50 | 6.60 | 9.00 |
| 05 | 6.00 | 8.10 | 10.50 |
| 06 | 7.50 | 9.60 | 12.00 |
| 07 | 9.00 | 11.10 | 13.50 |
| 08 | 10.50 | 12.60 | 15.00 |
| 09 | 12.00 | 14.10 | 16.50 |
| 10 | 13.50 | 15.60 | 18.00 |
| 11 | 15.00 | 17.10 | 19.50 |
| 12 | 16.50 | 18.60 | 21.00 |
| 13 | 18.00 | 20.10 | 22.50 |
| 14 | 19.50 | 21.60 | 24.00 |
| 15 | 21.00 | 23.10 | 25.50 |
| 16 | 22.50 | 24.60 | 27.00 |

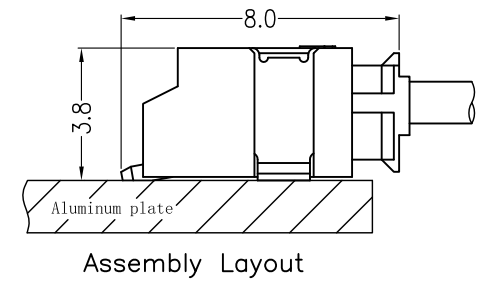
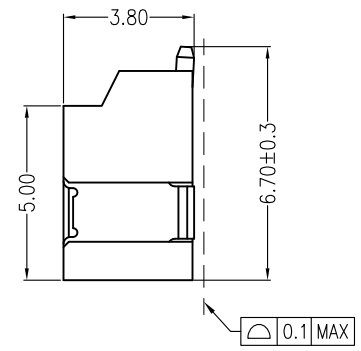
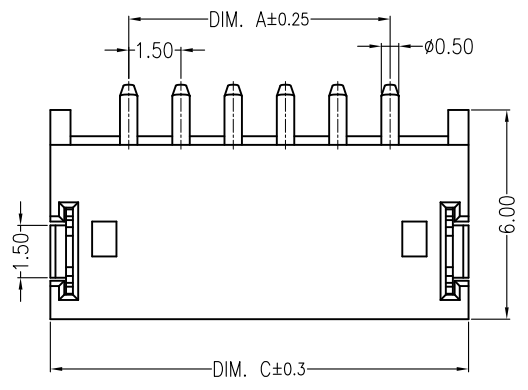
JKUN 温州健坤接插件有限公司
 WENZHOU JKUN CONNECTOR CO.,LTD.

TITLE:
 1.50mmPITCH 180°WAFER SMT TYPE

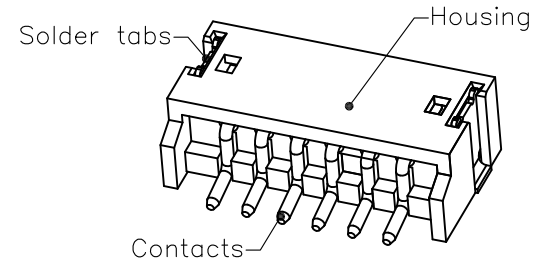
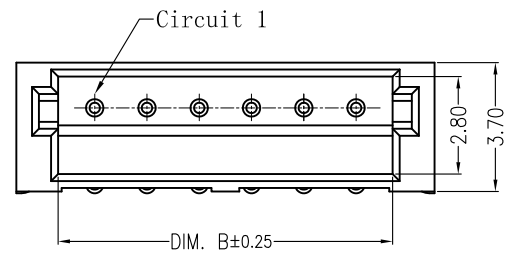
| GENERAL TOLERANCE | | USE: |
|-------------------|----------|--------------------|
| X. ±0.50 | X. ±5° | CUSTOMER |
| X.X ±0.30 | X.X ±2° | APPD: Shaojinghe |
| X.XX ±0.20 | X.XX ±1° | CHKD: Zenglingqing |
| UNITS: mm | | DR: Jiangjianyin |

| | |
|----------------------|-------|
| PART NO.: | |
| A1501AWV-**-F2MA-R-X | |
| DWG NO.: | |
| JKUN/GCKH-0519 | |
| SCALE | SHEET |
| 1 : 1 | 1 / 1 |

| | | | |
|-----|-------------|-----------|------------|
| REV | DESCRIPTION | DESIGN | DATE |
| A0 | NEW RELEASE | Wudanping | 2016/05/05 |

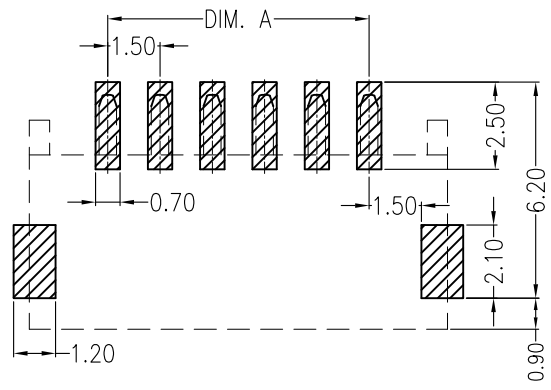
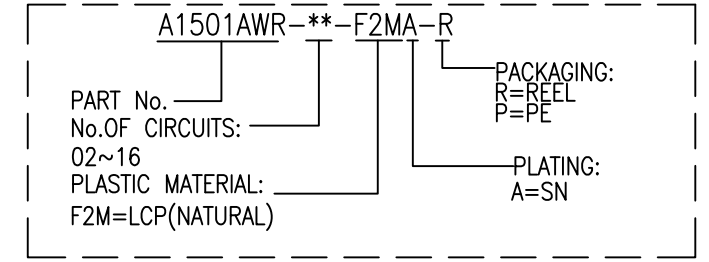


Specifications:
 Contact resistance: ≤20mΩ
 Insulation resistance: ≥500MΩ
 Rated voltage: 125V AC DC
 Rated current: 1.0A AC DC
 Withstand voltage: 500V AC/minute
 Temperature range: -25℃ ~ +105℃
 Housing: LCP UL94V-0, Natural
 Contacts: Brass/Sn
 Solder tabs: Phosphor bronze/Sn



3D VIEWS

ORDER INFORMATION:



SUGGESTED PCB LAYOUT

| Circuits | Dimensions (mm) | | |
|----------|-----------------|--------|--------|
| | DIM. A | DIM. B | DIM. C |
| 02 | 1.50 | 3.60 | 6.00 |
| 03 | 3.00 | 5.10 | 7.50 |
| 04 | 4.50 | 6.60 | 9.00 |
| 05 | 6.00 | 8.10 | 10.50 |
| 06 | 7.50 | 9.60 | 12.00 |
| 07 | 9.00 | 11.10 | 13.50 |
| 08 | 10.50 | 12.60 | 15.00 |
| 09 | 12.00 | 14.10 | 16.50 |
| 10 | 13.50 | 15.60 | 18.00 |
| 11 | 15.00 | 17.10 | 19.50 |
| 12 | 16.50 | 18.60 | 21.00 |
| 13 | 18.00 | 20.10 | 22.50 |
| 14 | 19.50 | 21.60 | 24.00 |
| 15 | 21.00 | 23.10 | 25.50 |
| 16 | 22.50 | 24.60 | 27.00 |

JKUN 温州健坤接插件有限公司
 WENZHOU JKUN CONNECTOR CO.,LTD.

TITLE:
 1.50mmPITCH 90°WAFER SMT TYPE

| | |
|-------------------|--------------------|
| GENERAL TOLERANCE | USE: |
| X. ±0.50 | CUSTOMER |
| X.X ±0.30 | APPD: Shaojinghe |
| X.XX ±0.20 | CHKD: Zenglingqing |
| UNITS: mm | DR: Jiangjianyin |

| | |
|--------------------|-------|
| PART NO.: | |
| A1501AWR-**-F2MA-R | |
| DWG NO.: | |
| JKUN/GCKH-0518 | |
| SCALE | SHEET |
| 1 : 1 | 1 / 1 |

A

B

C

D

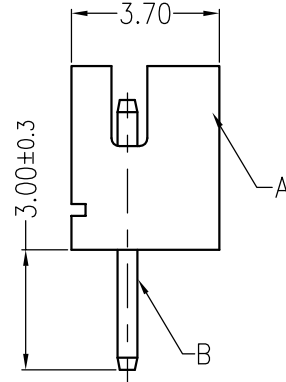
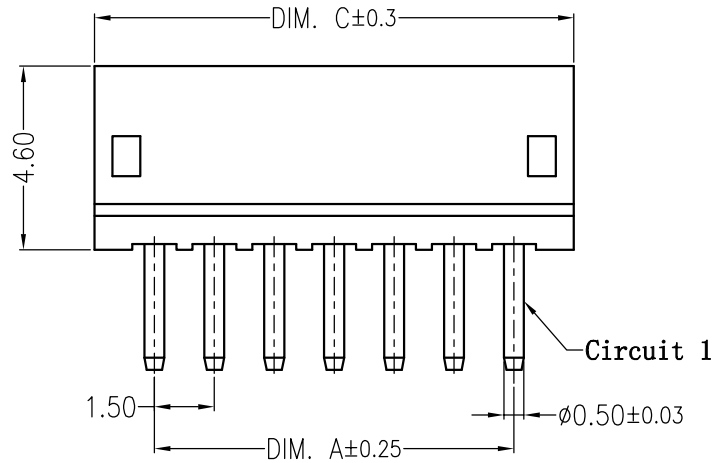
E

F

| REV | ECN No. | DESCRIPTION | DESIGN | DATE |
|-----|---------|-------------|--------|------------|
| A0 | | Release | 吴丹平 | 2017.05.29 |

1

1



主要技术参数 Main Specifications

线数 (Poles): 02 to 16

接触电阻 (Contact resistance): $\leq 20m\Omega$

绝缘电阻 (Insulation resistance): $\geq 500M\Omega$

额定电压 (Rated voltage): 125V AC DC

额定电流 (Rated current): 1.0A AC DC

耐电压 (Withstand Voltage): 500V AC/minute

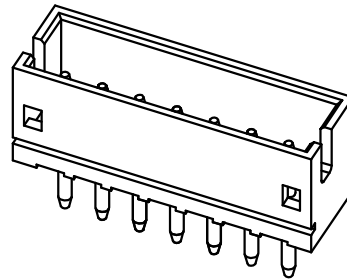
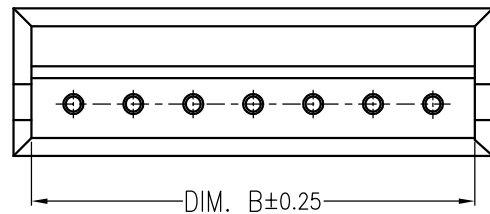
温度范围 (Temperature Range): $-25^{\circ}C \sim +120^{\circ}C$

2

2

3

3



ORDER INFORMATION:

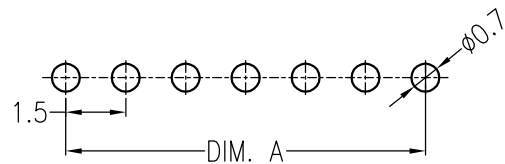
| | | | |
|-------------------------|------------------|--|-----------------|
| A1501A-**-A5WA-P | | | |
| PART No. | | | |
| No. OF CIRCUITS: | 02~16 | | PACKAGING: P=PE |
| PLASTIC MATERIAL: | A5W=PA66 (WHITE) | | PLATING: A=Sn |

4

4

| Circuits | Dimensions (mm) | | |
|----------|-----------------|--------|--------|
| | DIM. A | DIM. B | DIM. C |
| 02 | 1.50 | 3.60 | 4.50 |
| 03 | 3.00 | 5.10 | 6.00 |
| 04 | 4.50 | 6.60 | 7.50 |
| 05 | 6.00 | 8.10 | 9.00 |
| 06 | 7.50 | 9.60 | 10.50 |
| 07 | 9.00 | 11.10 | 12.00 |
| 08 | 10.50 | 12.60 | 13.50 |
| 09 | 12.00 | 14.10 | 15.00 |
| 10 | 13.50 | 15.60 | 16.50 |
| 11 | 15.00 | 17.10 | 18.00 |
| 12 | 16.50 | 18.60 | 19.50 |
| 13 | 18.00 | 20.10 | 21.00 |
| 14 | 19.50 | 21.60 | 22.50 |
| 15 | 21.00 | 23.10 | 24.00 |
| 16 | 22.50 | 24.60 | 25.50 |

| ITEM | COMPONENT | Q'TY | MATERIAL | FINISH |
|------|-----------|----------|----------|-------------|
| C | | | | |
| B | CONTACT | 2~16 PCS | Brass | Sn-plated |
| A | PEDESTAL | 1 PCS | PA66 | COLOR:White |



SUGGESTED PCB LAYOUT
(COMPONENT SIDE)

| | | | | |
|--|--------|------------------|--|----------------|
| JKUN 温州健坤接插件有限公司 WENZHOU JKUN CONNECTOR CO., LTD. | | | TITLE: 1.5mmPITCH 180°WAFER DIP TYPE | |
| X.±0.5 | X.±5' | USE: CUSTOMER | PART NO.: | |
| .X±0.3 | .X±2' | | A1501A-**-A5WA-P | |
| .XX±0.25 | .XX±1' | APPD: 邵敬和 | DWG NO.: | |
| -- | -- | CHKD: 田峰 | JKUN/GCCP-0516 | |
| ⊕ | ◁ | DR: 吴丹平 | SCALE 1 : 1 | SHEET 1 / 1 |

5

A

B

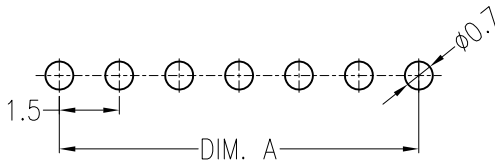
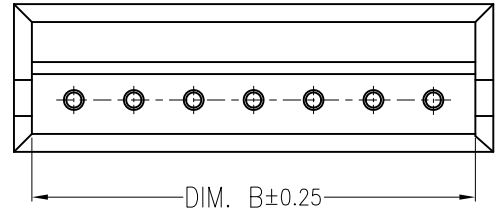
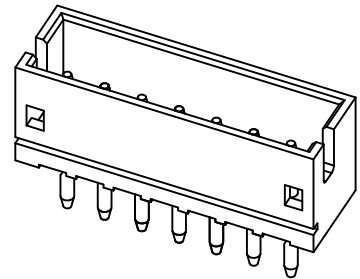
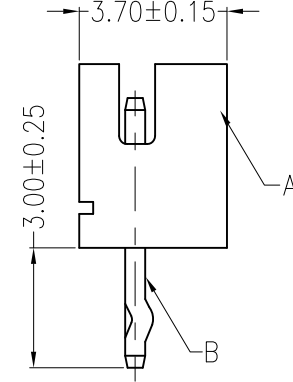
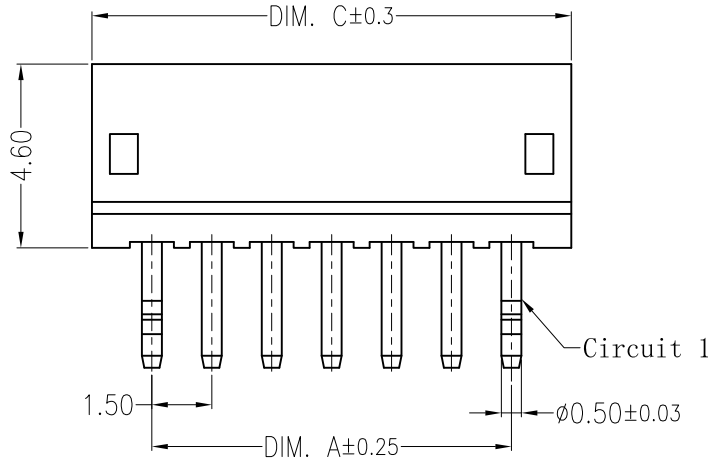
C

D

E

F

| REV | ECN No. | DESCRIPTION | DESIGN | DATE |
|-----|---------|-------------|--------|------------|
| AO | | Release | 吴丹平 | 2017.05.29 |



SUGGESTED PCB LAYOUT
(COMPONENT SIDE)

主要技术参数 Main Specifications

- 线数 (Poles): 02 to 16
- 接触电阻 (Contact resistance): $\leq 20m\Omega$
- 绝缘电阻 (Insulation resistance): $\geq 500M\Omega$
- 额定电压 (Rated voltage): 125V AC DC
- 额定电流 (Rated current): 1.0A AC DC
- 耐电压 (Withstand Voltage): 500V AC/minute
- 温度范围 (Temperature Range): $-25^{\circ}C \sim +120^{\circ}C$

ORDER INFORMATION:

A1501A--A5WA-P-Q**

| | | |
|-------------------|------------------|--|
| PART No. | | SPECIAL CODE: |
| No. OF CIRCUITS: | 02~16 | Q=JK PACKAGING: P=PE PLATING: A=Sn |
| PLASTIC MATERIAL: | A5W=PA66 (WHITE) | |

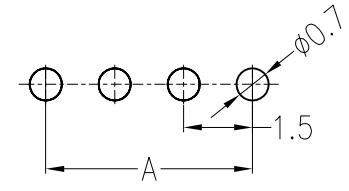
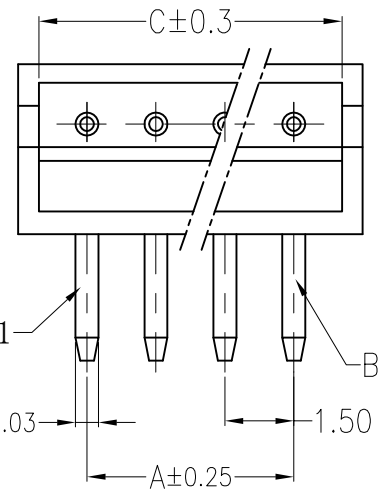
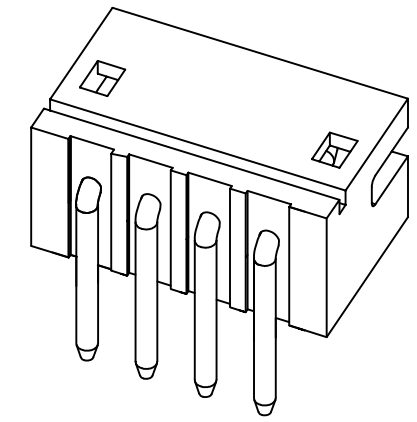
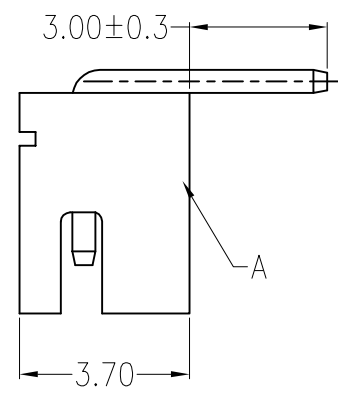
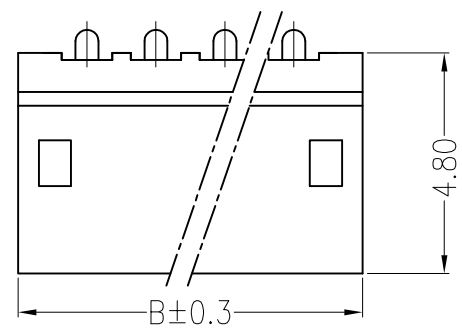
| Circuits | Dimensions (mm) | | |
|----------|-----------------|--------|--------|
| | DIM. A | DIM. B | DIM. C |
| 02 | 1.50 | 3.60 | 4.50 |
| 03 | 3.00 | 5.10 | 6.00 |
| 04 | 4.50 | 6.60 | 7.50 |
| 05 | 6.00 | 8.10 | 9.00 |
| 06 | 7.50 | 9.60 | 10.50 |
| 07 | 9.00 | 11.10 | 12.00 |
| 08 | 10.50 | 12.60 | 13.50 |
| 09 | 12.00 | 14.10 | 15.00 |
| 10 | 13.50 | 15.60 | 16.50 |
| 11 | 15.00 | 17.10 | 18.00 |
| 12 | 16.50 | 18.60 | 19.50 |
| 13 | 18.00 | 20.10 | 21.00 |
| 14 | 19.50 | 21.60 | 22.50 |
| 15 | 21.00 | 23.10 | 24.00 |
| 16 | 22.50 | 24.60 | 25.50 |

| ITEM | COMPONENT | Q'TY | MATERIAL | FINISH |
|------|-----------|----------|----------|-------------|
| C | | | | |
| B | CONTACT | 2~16 PCS | Brass | Sn-plated |
| A | PEDESTAL | 1 PCS | PA66 | COLOR:White |

| | | | | |
|----------|--------|------------------|---|--------------------|
| X.±0.5 | X.±5' | USE: CUSTOMER | TITLE: 1.5mmPITCH 180°WAFER DIP TYPE | |
| .X±0.3 | .X±2' | | | PART NO.: |
| .XX±0.25 | .XX±1' | | | A1501A-**-A5WA-P-Q |
| -- | -- | | | DWG NO.: |
| ⊕ | ◁ | UNITS: mm | JKUN/GCCP-0663 | |
| | | DR: 吴丹平 | SCALE: 1:1 | |
| | | | SHEET: 1/1 | |

JKUN 温州健坤接插件有限公司
WENZHOU JKUN CONNECTOR CO., LTD.

| REV | ECN No. | DESCRIPTION | DESIGN | DATE |
|-----|---------|-------------|--------|------------|
| A0 | | Release | 吴丹平 | 2017.05.29 |



SUGGESTED PCB LAYOUT
(COMPONENT SIDE)

主要技术参数 Main Specifications

- 线 数 (Poles): 02 to 16
- 接触电阻 (Contact resistance): $\leq 20m\Omega$
- 绝缘电阻 (Insulation resistance): $\geq 500M\Omega$
- 额定电压 (Rated voltage): 125V AC DC
- 额定电流 (Rated current): 1.0A AC DC
- 耐 电 压 (Withstand Voltage): 500V AC/minute
- 温度范围 (Temperature Range): $-25^{\circ}C \sim +120^{\circ}C$

Circuit 1

$\phi 0.50 \pm 0.03$

B

1
2
3
4
5

1
2
3
4
5

| Circuits | Dimensions (mm) | | |
|----------|-----------------|--------|--------|
| | DIM. A | DIM. B | DIM. C |
| 02 | 1.50 | 4.50 | 3.70 |
| 03 | 3.00 | 6.00 | 5.20 |
| 04 | 4.50 | 7.50 | 6.70 |
| 05 | 6.00 | 9.00 | 8.20 |
| 06 | 7.50 | 10.50 | 9.70 |
| 07 | 9.00 | 12.00 | 11.20 |
| 08 | 10.50 | 13.50 | 12.70 |
| 09 | 12.00 | 15.00 | 14.20 |
| 10 | 13.50 | 16.50 | 15.70 |
| 11 | 15.00 | 18.00 | 17.20 |
| 12 | 16.50 | 19.50 | 18.70 |
| 13 | 18.00 | 21.00 | 20.20 |
| 14 | 19.50 | 22.50 | 21.70 |
| 15 | 21.00 | 24.00 | 23.20 |

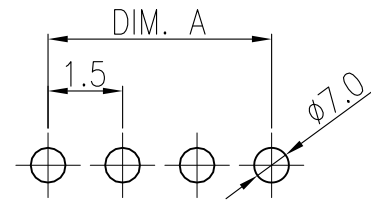
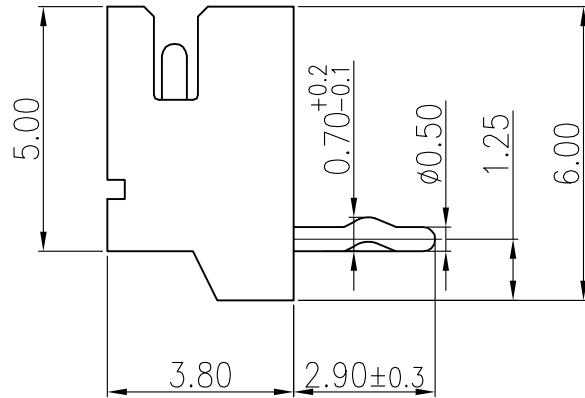
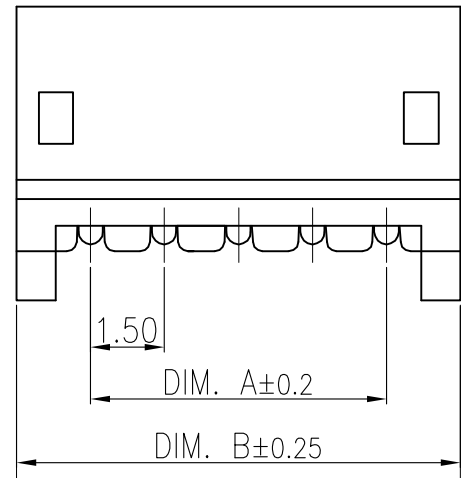
| ITEM | COMPONENT | Q'TY | MATERIAL | FINISH |
|------|-----------|---------|----------|-------------|
| C | | | | |
| B | CONTACT | 2~15PCS | Brass | Sn-plated |
| A | PEDESTAL | 1 PCS | PA66 | COLOR:White |

| | | | |
|--|--------------|--|-------------------|
| JKUN 温州健坤接插件有限公司 WENZHOU JKUN CONNECTOR CO., LTD. | | TITLE: A1501AW 1.5mmPITCH 90°WAFER DIP TYPE | |
| X.±0.5 | X.±5' | USE: CUSTOMER | PART NO.: |
| .X±0.3 | .X±2' | | A1501AW-**-A5WA-P |
| .XX±0.25 | .XX±1' | APPD: 邵敬和 | DWG NO.: |
| -- | -- | CHKD: 田峰 | JKUN/GCCP-0517 |
| | UNITS: mm | DR: 蒋建银 | SCALE 1 : 1 |
| | | | SHEET 1 / 1 |

A | B | C | D

E | F

| REV | ECN No. | DESCRIPTION | DESIGN | DATE |
|-----|---------|-------------|--------|------------|
| A0 | | Release | 吴丹平 | 2017.04.17 |



P. C. B LAYOUT

主要技术参数 Main Specifications

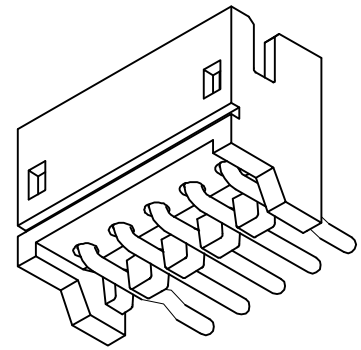
- 线 数 (Poles): 02 to 16
- 接触电阻 (Contact resistance): $\leq 20m\Omega$
- 绝缘电阻 (Insulation resistance): $\geq 500M\Omega$
- 额定电压 (Rated voltage): 125V AC DC
- 额定电流 (Rated current): 1.0A AC DC
- 耐 电压 (Withstand Voltage): 500V AC/minute
- 温度范围 (Temperature Range): $-25^{\circ}C \sim +120^{\circ}C$

ORDER INFORMATION:

A1501AWD--A5WA-P-Q**

PART No. _____
 No. OF CIRCUITS: _____
 02~16
 PLASTIC MATERIAL: _____
 A5W=PA66 (WHITE)

Q: 打孔
 PACKAGING: P=PE
 PLATING: A=Sn

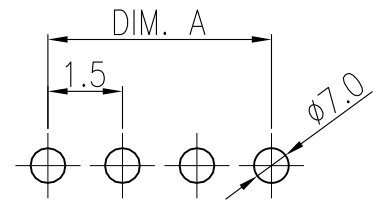
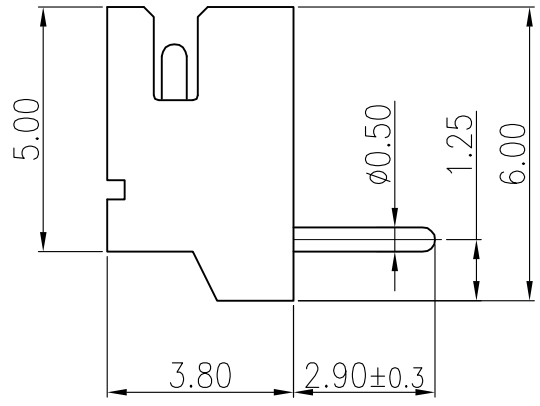
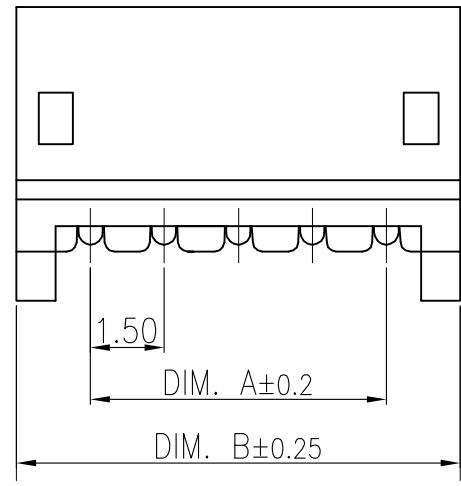


| Poles | Part No. | Dimensions mm | |
|-------|-------------|---------------|-------|
| | | A | B |
| 2 | A1501AWD-02 | 1.50 | 4.50 |
| 3 | A1501AWD-03 | 3.00 | 6.00 |
| 4 | A1501AWD-04 | 4.50 | 7.50 |
| 5 | A1501AWD-05 | 6.00 | 9.00 |
| 6 | A1501AWD-06 | 7.50 | 10.50 |
| 7 | A1501AWD-07 | 9.00 | 12.00 |
| 8 | A1501AWD-08 | 10.50 | 13.50 |
| 9 | A1501AWD-09 | 12.00 | 15.00 |
| 10 | A1501AWD-10 | 13.50 | 16.50 |
| 11 | A1501AWD-11 | 15.00 | 18.00 |
| 12 | A1501AWD-12 | 16.50 | 19.50 |
| 13 | A1501AWD-13 | 18.00 | 21.00 |
| 14 | A1501AWD-14 | 19.50 | 22.50 |
| 15 | A1501AWD-15 | 21.00 | 24.00 |
| 16 | A1501AWD-16 | 22.50 | 25.50 |

| ITEM | COMPONENT | Q'TY | MATERIAL | FINISH |
|------|-----------|---------|----------|--------------------------|
| C | | | | |
| B | CONTACT | 1~16PCS | Brass | Sn-plated |
| A | HOUSING | 1 PCS | PA66 | UL 94V-0(2), COLOR:WHITE |

| | | | | |
|---|--------|------------------|---|----------------|
| JKUN 温州健坤接插件有限公司 WENZHOU JKUN CONNECTOR CO., LTD. | | | TITLE: 1.5mmPITCH 180°WAFER DIP TYPE | |
| X.±0.5 | X.±5' | USE: CUSTOMER | PART NO.: | |
| .X±0.3 | .X±2' | | A1501AWD-**-A5WA-P-Q | |
| .XX±0.25 | .XX±1' | APPD: 邵敬和 | DWG NO.: | |
| -- | -- | CHKD: 田峰 | - | |
| UNITS: mm | | DR: 吴丹平 | SCALE 1 : 1 | SHEET 1 / 1 |

| | | | | |
|-----|---------|-------------|--------|------------|
| REV | ECN No. | DESCRIPTION | DESIGN | DATE |
| A0 | | Release | 吴丹平 | 2017.04.17 |



P. C. B LAYOUT

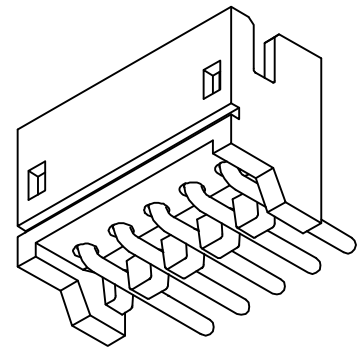
主要技术参数 Main Specifications

线 数 (Poles): 02 to 16
 接触电阻 (Contact resistance): ≤20mΩ
 绝缘电阻 (Insulation resistance): ≥500MΩ
 额定电压 (Rated voltage): 125V AC DC
 额定电流 (Rated current): 1.0A AC DC
 耐 电 压 (Withstand Voltage): 500V AC/minute
 温度范围 (Temperature Range): -25°C ~ +85°C

ORDER INFORMATION:

A1501AWD--A5WA-P**

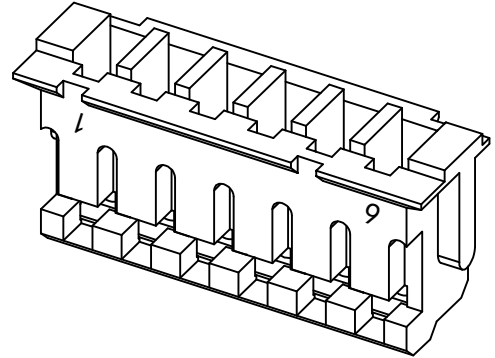
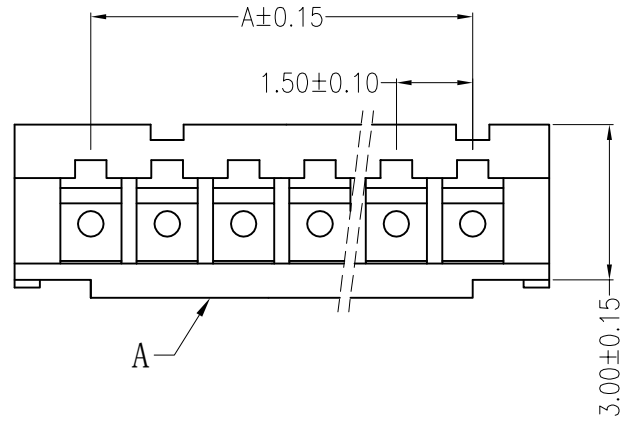
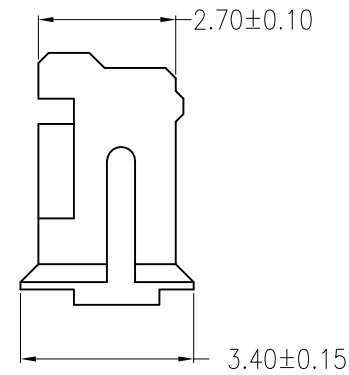
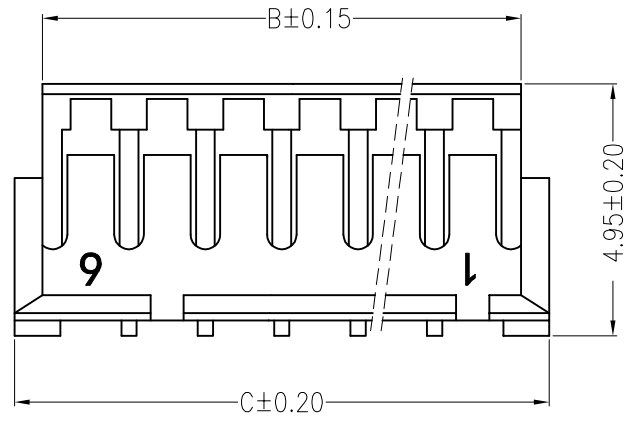
| | |
|-------------------------|------------------|
| PART No. _____ | PACKAGING: _____ |
| No. OF CIRCUITS: _____ | P=PE |
| 02~16 | PLATING: _____ |
| PLASTIC MATERIAL: _____ | A=Sn |
| A5W=PA66 (BEGIE) | |



| Poles | Part No. | Dimensions mm | |
|-------|-------------|---------------|-------|
| | | A | B |
| 2 | A1501AWD-02 | 1.50 | 4.50 |
| 3 | A1501AWD-03 | 3.00 | 6.00 |
| 4 | A1501AWD-04 | 4.50 | 7.50 |
| 5 | A1501AWD-05 | 6.00 | 9.00 |
| 6 | A1501AWD-06 | 7.50 | 10.50 |
| 7 | A1501AWD-07 | 9.00 | 12.00 |
| 8 | A1501AWD-08 | 10.50 | 13.50 |
| 9 | A1501AWD-09 | 12.00 | 15.00 |
| 10 | A1501AWD-10 | 13.50 | 16.50 |
| 11 | A1501AWD-11 | 15.00 | 18.00 |
| 12 | A1501AWD-12 | 16.50 | 19.50 |
| 13 | A1501AWD-13 | 18.00 | 21.00 |
| 14 | A1501AWD-14 | 19.50 | 22.50 |
| 15 | A1501AWD-15 | 21.00 | 24.00 |
| 16 | A1501AWD-16 | 22.50 | 25.50 |

| | | | | |
|---|-----------|-------|----------|---|
| C | | | | |
| B | CONTACT | | 1~16PCS | Brass Sn-plated |
| A | HOUSING | | 1 PCS | PA66 UL 94V-0(2), COLOR:BEGIE |
| ITEM | COMPONENT | Q'TY | MATERIAL | FINISH |
| JKUN 温州健坤接插件有限公司 WENZHOU JKUN CONNECTOR CO., LTD. | | | | TITLE: 1.5mmPITCH 180°WAFER DIP TYPE |
| X.±0.5 | X.±5' | USE: | CUSTOMER | |
| .X±0.3 | .X±2' | APPD: | 邵敬和 | |
| .XX±0.25 | .XX±1' | CHKD: | 田峰 | |
| -- | -- | DR: | 吴丹平 | |
| UNITS: mm | | SCALE | SHEET | |
| | | 1 : 1 | 1 / 1 | |

| REV | ECN No. | DESCRIPTION | DESIGN | DATE |
|-----|---------|-------------|--------|------------|
| A0 | | Release | 吴丹平 | 2016.09.23 |



主要技术参数 Main Specifications

- 线 数 (Poles): 02 to 16
- 接触电阻 (Contact resistance): $\leq 20m\Omega$
- 绝缘电阻 (Insulation resistance): $\geq 500M\Omega$
- 额定电压 (Rated voltage): 125V AC DC
- 额定电流 (Rated current): 1.0A AC DC
- 耐 电 压 (Withstand Voltage): 500V AC/minute
- 温度范围 (Temperature Range): $-25^{\circ}C \sim +85^{\circ}C$

ORDER INFORMATION:

A1501Y--A5W-P**

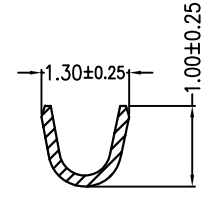
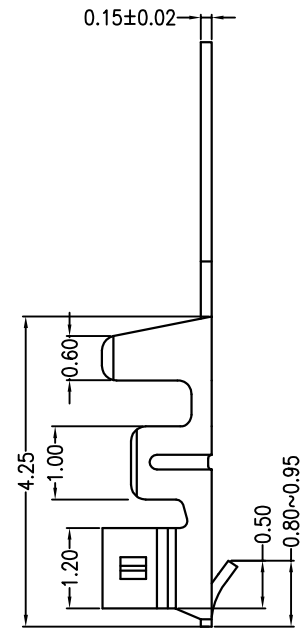
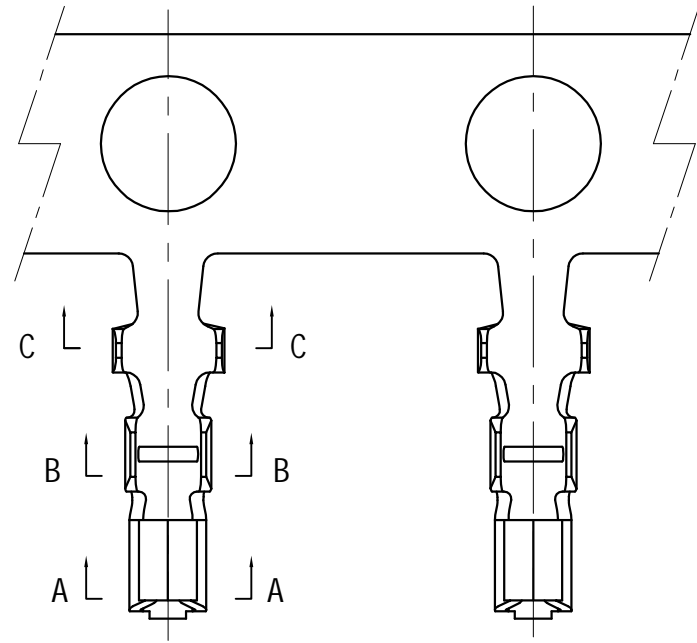
| | | |
|------------------|----|---|
| PART No. | | PACKAGING: |
| No. OF CIRCUITS: | 06 | P=PE PLASTIC MATERIAL: A5W=PA66 (WHITE) |

| Circuits | Dimensions (mm) | | | Circuits | Dimensions (mm) | | |
|----------|-----------------|-------|-------|----------|-----------------|-------|-------|
| | A | B | C | | A | B | C |
| 02 | 1.50 | 3.40 | 4.50 | 10 | 13.50 | 15.40 | 16.50 |
| 03 | 3.00 | 4.90 | 6.00 | 11 | 15.00 | 16.90 | 18.00 |
| 04 | 4.50 | 6.40 | 7.50 | 12 | 16.50 | 18.40 | 19.50 |
| 05 | 6.00 | 7.90 | 9.00 | 13 | 18.00 | 19.90 | 21.00 |
| 06 | 7.50 | 9.40 | 10.50 | 14 | 19.50 | 21.40 | 22.50 |
| 07 | 9.00 | 10.90 | 12.00 | 15 | 21.00 | 22.90 | 24.00 |
| 08 | 10.50 | 12.40 | 13.50 | 16 | 22.50 | 24.40 | 25.50 |
| 09 | 12.00 | 13.90 | 15.00 | | | | |

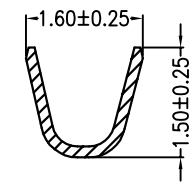
| ITEM | COMPONENT | Q'TY | MATERIAL | FINISH |
|------|-----------|-------|----------|-------------|
| C | | | | |
| B | | | | |
| A | PEDESTAL | 1 PCS | PA66 | COLOR:WHITE |

| | | | | |
|--|--------|------------------|------------------------------|----------------|
| JKUN 温州健坤接插件有限公司 WENZHOU JKUN CONNECTOR CO., LTD. | | | TITLE: 1.5mmPITCH Housing | |
| X.±0.5 | X.±5' | USE: CUSTOMER | PART NO.: | |
| .X±0.3 | .X±2' | | A1501Y-**-A5W-P | |
| .XX±0.25 | .XX±1' | APPD: 邵敬和 | DWG NO.: | |
| -- | -- | CHKD: 田峰 | JKUN/GCCP-0520 | |
| ⊕ | ∠ | UNITS: mm | DR: 吴丹平 | SCALE 1 : 1 |
| | | | | SHEET 1 / 1 |

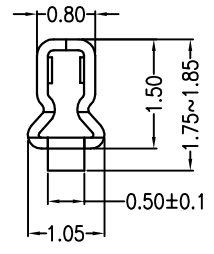
| REV | ECN No. | DESCRIPTION | DESIGN | DATE |
|-----|---------|-------------|--------|------------|
| AO | | Release | 吴丹平 | 2015.07.01 |
| | | | | |



B-B



C-C

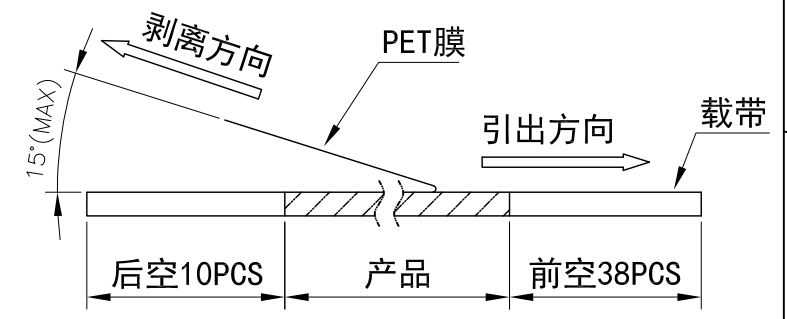
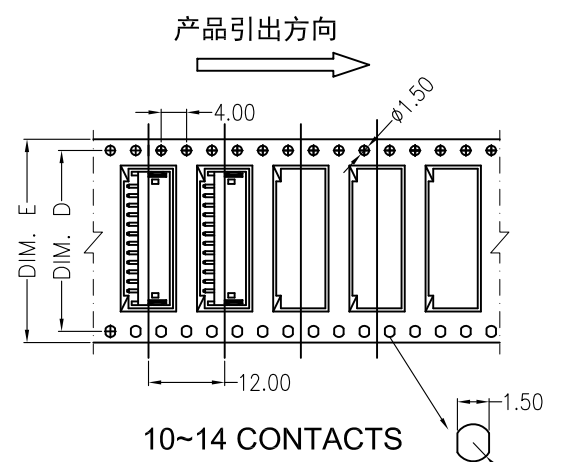
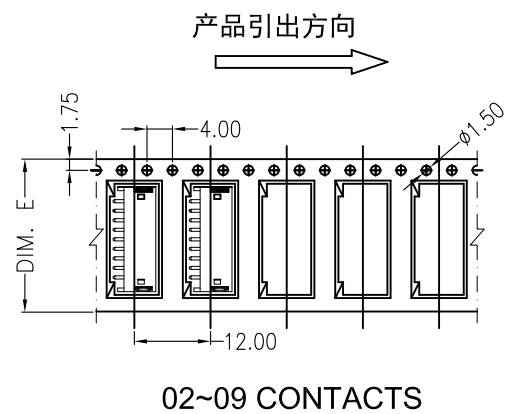


A-A

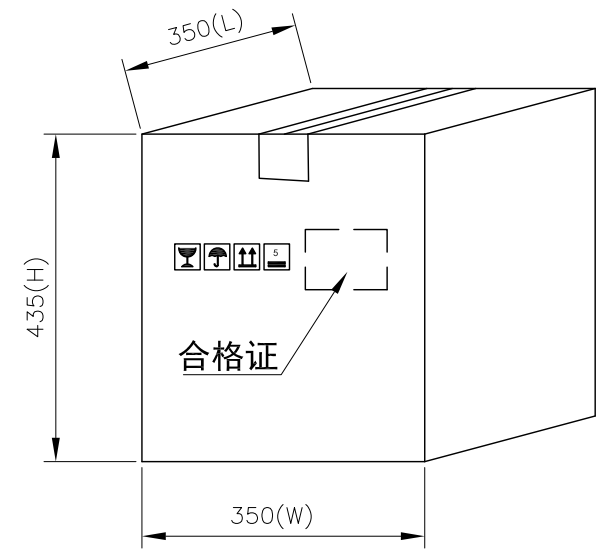
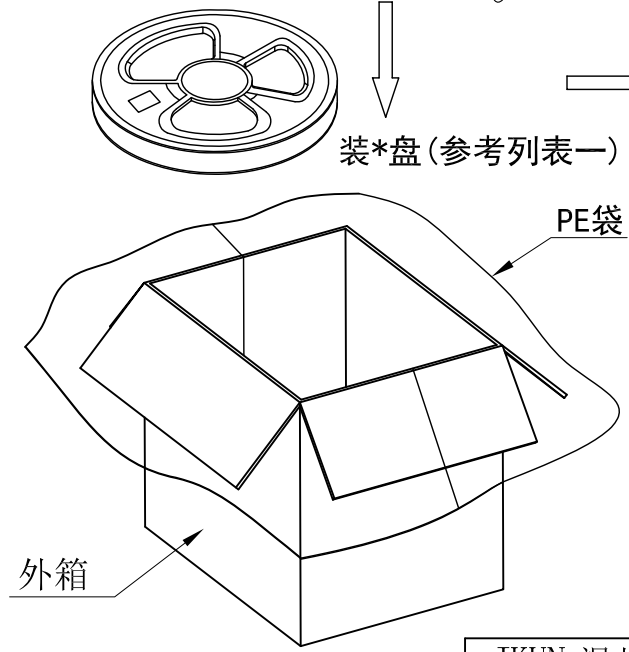
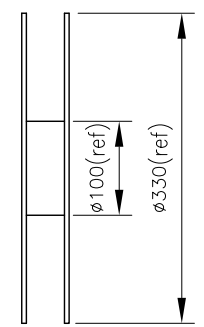
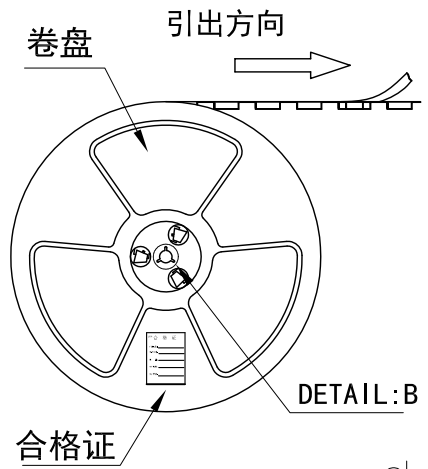
Ordering Information & Specification:

| Part No | Wire Range | Insulation O.D. | Material | Finish | Qty/Reel |
|---|-------------|-----------------|-----------------|----------------|----------|
| A1501T-PA | AWG #28~#32 | 0.90mm(max) | Phosphor bronze | Tin-plated | / |
| JKUN 温州健坤接插件有限公司 WENZHOU JKUN CONNECTOR CO., LTD. | | | | TITLE: | |
| X.±0.5 | X.±5' | USE: CUSTOMER | | PART NO.: | |
| .X±0.3 | .X±2' | APPD: 邵敬和 | | A1501T | |
| .XX±0.25 | .XX±1' | CHKD: 田峰 | | DWG NO.: | |
| -- | -- | DR: 吴丹平 | | JKUN/GCDZ-0003 | |
| UNITS: mm | | SCALE | | SHEET | |
| | | 1 : 1 | | 1 / 1 | |

| | | | | |
|-----|---------|-------------|--------|------------|
| REV | ECN No. | DESCRIPTION | DESIGN | DATE |
| A | | Release | 蒋建银 | 2018.06.22 |
| A/1 | | 更改12孔编带宽度 | 蒋建银 | 2020.03.07 |



(PET膜剥离示意图)



列表一

| Circuits | DIM. D | DIM. E | Q'ty/Reel | Packing (Reel/Caton) |
|----------|--------|--------|-----------|----------------------|
| 02-03PIN | - | 16 | 1000PCS | 20/Reel |
| 04-09PIN | - | 24 | 1000PCS | 15/Reel |
| 10-12PIN | 28.4 | 32 | 1000PCS | 11/Reel |
| 13-14PIN | 40.4 | 44 | 1000PCS | 8/Reel |

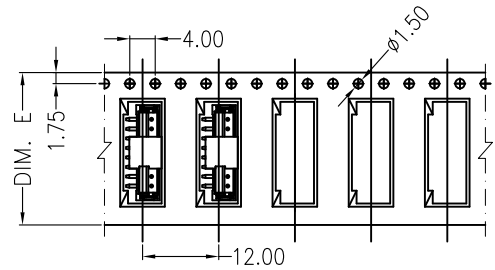
包装说明:

- 把成品包入卷盘中, 每盘装1000PCS, 卷盘上贴上合格证, 将装好产品的卷盘放进外箱中, 外箱内先套一个大PE袋, 外箱上贴贴上合格证.
- 所有材料有害物控制需符合RoHS标准.

| | | | |
|--|-------|-------------------------|----------------------------|
| JKUN 温州健坤接插件有限公司 WENZHOU JKUN CONNECTOR CO., LTD. | | TITLE: A1501AWR 包装规范 | |
| X.± 0.5 | X.±* | USE: MANUFACTURE | PART NO.: A1501AWR-nP |
| .X± 0.3 | .X±* | APPD: 邵敬和 | DWG NO.: JKUN/GCBZ-0508 |
| .XX±0.25 | .XX±* | CHKD: 田峰 | SCALE 1 : 1 |
| -- | -- | DR: 蒋建银 | SHEET 1 / 1 |
| UNITS: mm | | | |

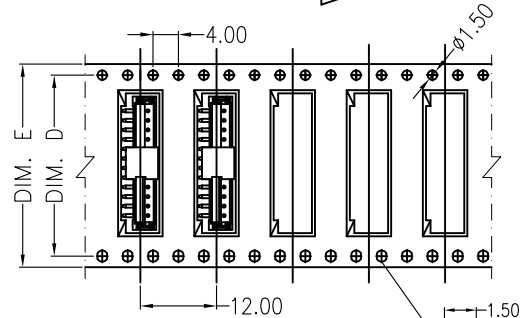
| | | | | |
|-----|---------|-------------|--------|------------|
| REV | ECN No. | DESCRIPTION | DESIGN | DATE |
| A | | Release | 吴丹平 | 2015.11.12 |

产品引出方向
→

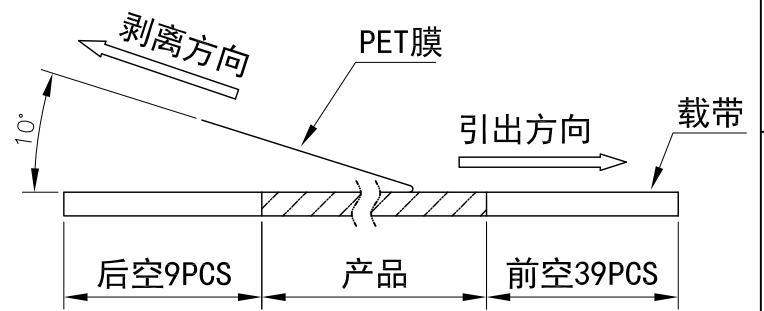


02~08 CONTACTS

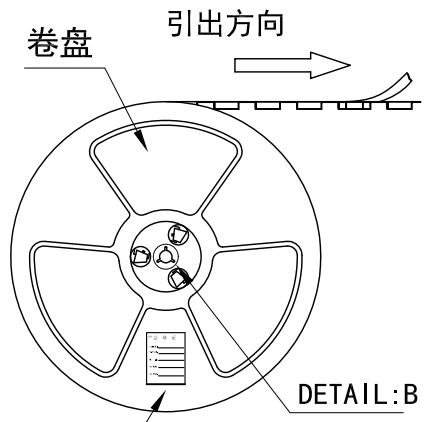
产品引出方向
→



09~16 CONTACTS

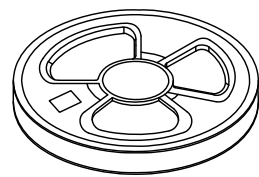
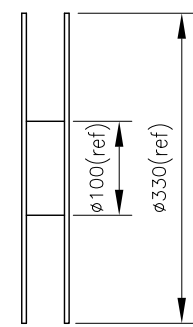


(PET膜剥离示意图)

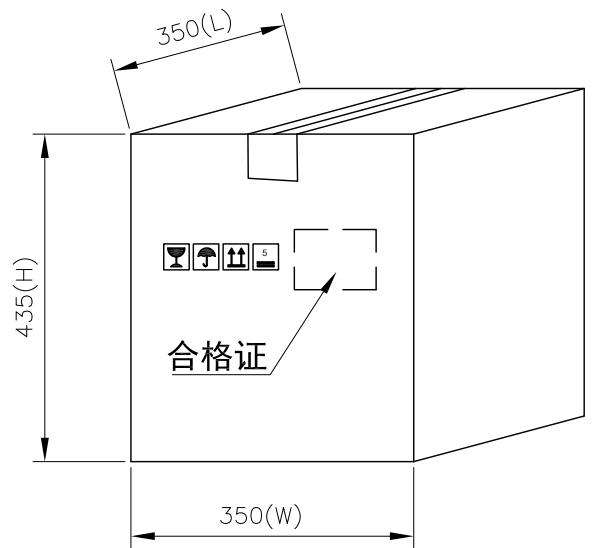
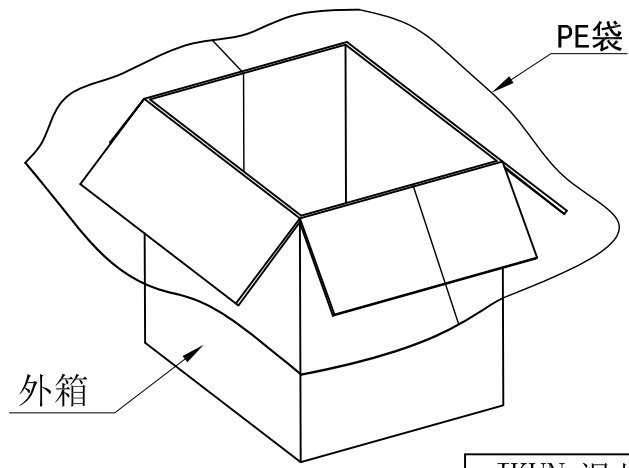


DETAIL:B

合格证



装*盘 (参考列表一)



列表一

| Circuits | DIM. D | DIM. E | Q'ty/Reel | Packing (Reel/Caton) |
|----------|--------|--------|-----------|----------------------|
| 02-03PIN | - | 16 | 1000PCS | 20/Reel |
| 04-08PIN | - | 24 | 1000PCS | 15/Reel |
| 09-12PIN | 28.4 | 32 | 1000PCS | 11/Reel |
| 13PIN | 40.4 | 44 | 1000PCS | 8/Reel |

包装说明:

- 把成品包入卷盘中, 每盘装1000PCS, 卷盘上贴上合格证, 将装好产品的卷盘放进外箱中, 外箱内先套一个大PE袋, 外箱上贴贴上合格证.
- 所有材料有害物控制需符合RoHS标准.

| | | | |
|--|-------|-------------------------|----------------|
| JKUN 温州健坤接插件有限公司 WENZHOU JKUN CONNECTOR CO., LTD. | | TITLE: A1501AWW 包装规范 | |
| X.± 0.5 | X.±* | USE: MANUFACTURE | PART NO.: |
| .X± 0.3 | .X±* | APPD: 邵敬和 | A1501AWW-nP |
| .XX±0.25 | .XX±* | CHKD: 田峰 | DWG NO.: |
| -- | -- | DR: 吴丹平 | JKUN/GCBZ-0509 |
| ⊕ | ◁ | UNITS: mm | SCALE 1 : 1 |
| | | | SHEET 1 / 1 |