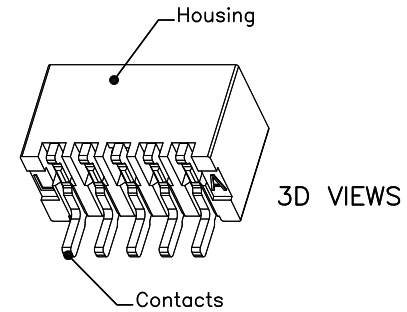
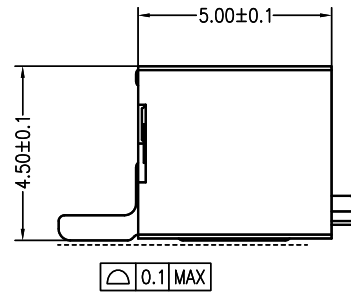
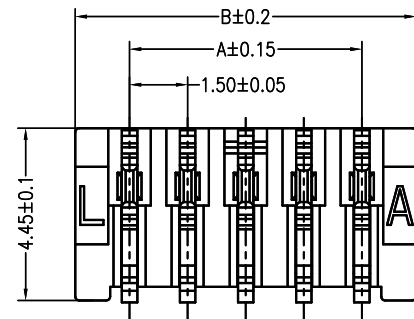


REV	DESCRIPTION	DESIGN	DATE
A0	NEW RELEASE	Jiangjianiyn	2018/01/20

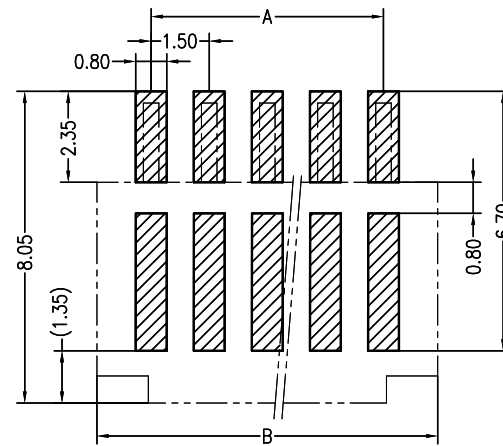
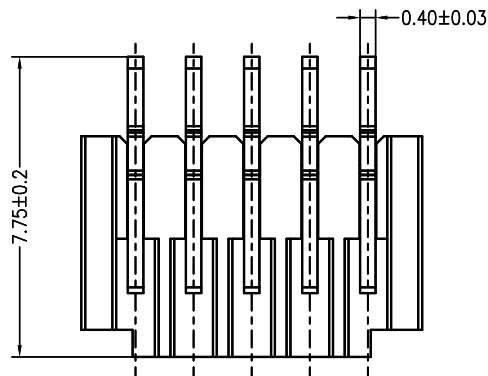
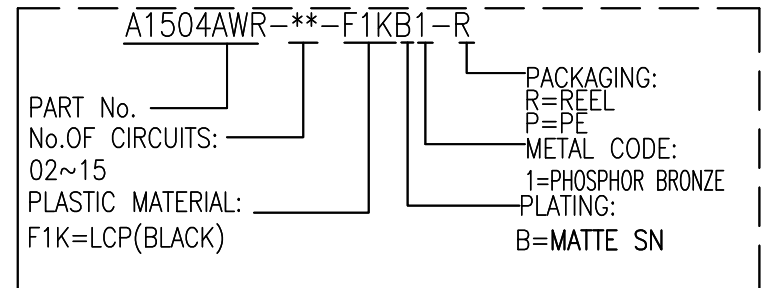


PIN.	DIM A	DIM B	DIM C
2pin	1.50	4.30	3.70
3pin	3.00	5.80	5.20
4pin	4.50	7.30	6.70
5pin	6.00	8.80	8.20
6pin	7.50	10.30	9.70
7pin	9.00	11.80	11.20
8pin	10.50	13.30	12.70
9pin	12.00	14.80	14.20
10pin	13.50	16.30	15.70
11pin	15.00	17.80	17.20
12pin	16.50	19.30	18.70
13pin	18.00	20.80	20.20
14pin	19.50	22.30	21.70
15pin	21.00	23.80	23.20

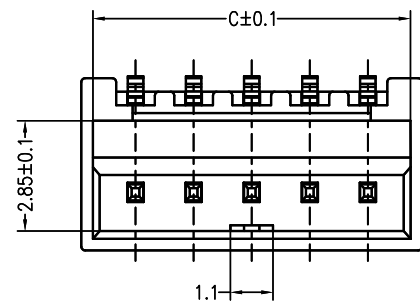
Specifications:

Contact resistance: ≤20mΩ
 Insulation resistance: ≥1000MΩ
 Rated voltage: 350V AC DC
 Rated current: 3.0A AC DC
 Withstand voltage: 500V AC/minute
 Temperature range: -25°C ~ +85°C
 Housing: LCP UL94V-0, BLACK
 Contacts: Phosphor bronze/MATTE Sn

ORDER INFORMATION:



SUGGESTED PCB LAYOUT



JKUN 温州健坤接插件有限公司 WENZHOU JKUN CONNECTOR CO.,LTD.		TITLE: 1.50mmPITCH 90°WAFER SMT TYPE	
GENERAL TOLERANCE		USE: CUSTOMER	PART NO.:
X. ±0.50	X. ±5°	APPD: Shaojinghe	A1504AWR-**-F1KB1-R
X.X ±0.30	X.X ±2°	CHKD: Zenglingqing	DWG NO.:
X.XX ±0.20	X.XX ±1°	DR: Jiangjianiyn	JKUN/GCKH-0746
UNITS: mm		SCALE 1 : 1	SHEET 1 / 1

A

B

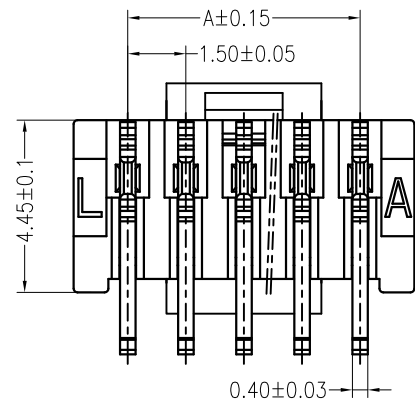
C

D

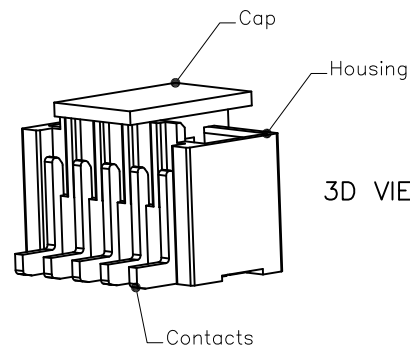
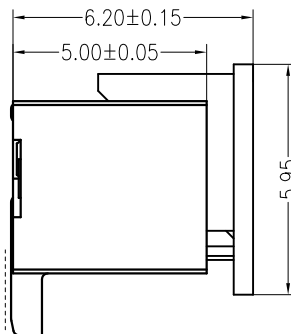
E

F

REV	DESCRIPTION	DESIGN	DATE
AO	NEW RELEASE	Jiangjianiyn	2018/01/20



0.1 MAX



3D VIEWS

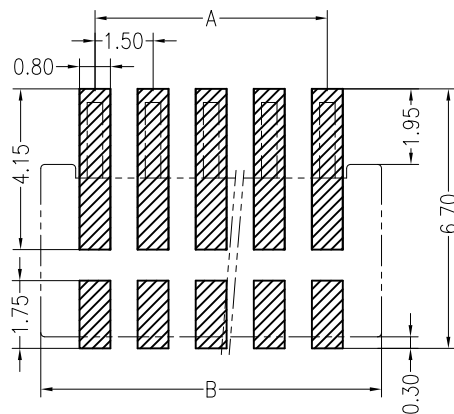
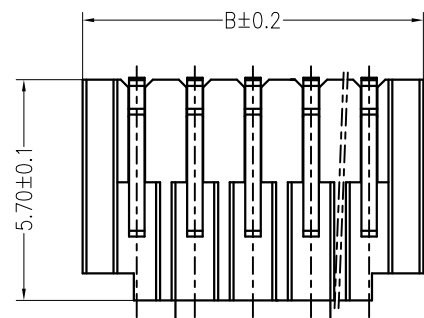
PIN.	DIM A	DIM B	DIM C
2pin	1.50	4.30	3.70
3pin	3.00	5.80	5.20
4pin	4.50	7.30	6.70
5pin	6.00	8.80	8.20
6pin	7.50	10.30	9.70
7pin	9.00	11.80	11.20
8pin	10.50	13.30	12.70
9pin	12.00	14.80	14.20
10pin	13.50	16.30	15.70
11pin	15.00	17.80	17.20
12pin	16.50	19.30	18.70
13pin	18.00	20.80	20.20
14pin	19.50	22.30	21.70
15pin	21.00	23.80	23.20

Specifications:

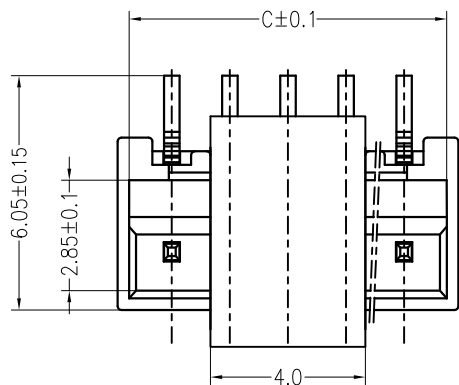
Contact resistance: $\leq 20\text{m}\Omega$
 Insulation resistance: $\geq 1000\text{M}\Omega$
 Rated voltage: 350V AC DC
 Rated current: 3.0A AC DC
 Withstand voltage: 500V AC/minute
 Temperature range: $-25^{\circ}\text{C} \sim +85^{\circ}\text{C}$
 Housing: LCP UL94V-0, Natural
 Cap: LCP UL94V-0, Natural
 Contacts: Phosphor bronze/MATTE Sn

ORDER INFORMATION:

A1504AWV-**-F4MB1-R-X	
PART No.	X:CAP
No.OF CIRCUITS:	PACKAGING:
02~15	R=REEL
PLASTIC MATERIAL:	P=PE
F4M=LCP(NATURAL)	METAL CODE:
	1=PHOSPHOR BRONZE
	PLATING:
	B=MATTE SN



SUGGESTED PCB LAYOUT

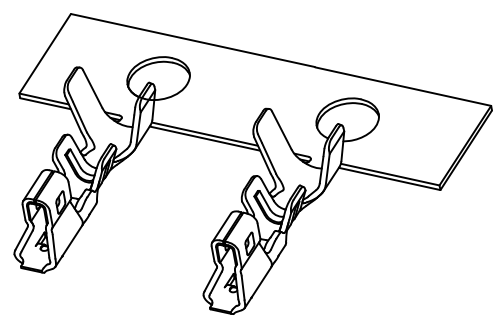
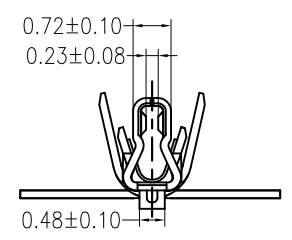
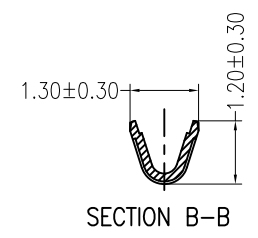
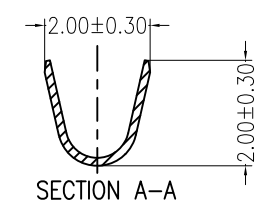
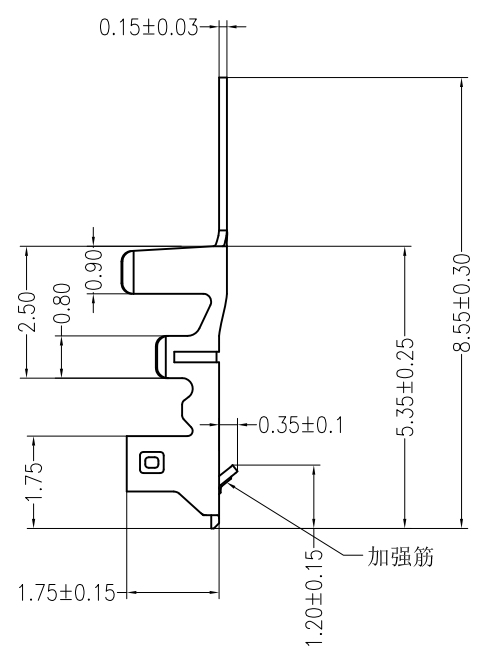
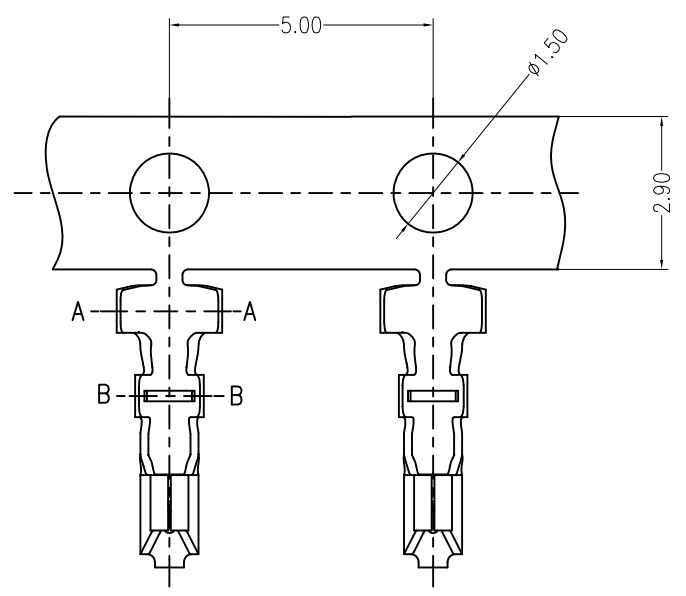


JKUN 温州健坤接插件有限公司
WENZHOU JKUN CONNECTOR CO.,LTD.

TITLE:
1.50mmPITCH 180°WAFER SMT TYPE

GENERAL TOLERANCE		USE:	PART NO.:
X. ± 0.50	X. $\pm 5^{\circ}$	CUSTOMER	A1504AWV-**-F4MB1-R-X
X.X ± 0.30	X.X $\pm 2^{\circ}$	APPD: Shaojinghe	DWG NO.:
X.XX ± 0.20	X.XX $\pm 1^{\circ}$	CHKD: Zenglingqing	JKUN/GCKH-0747
UNITS: mm	DR: Jiangjianiyn	SCALE	SHEET
		1 : 1	1 / 1

REV	DESCRIPTION	DESIGN	DATE
A	NEW RELEASE	蒋建银	2020/12/16

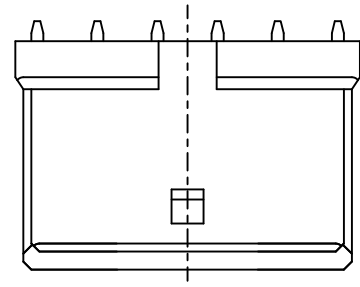
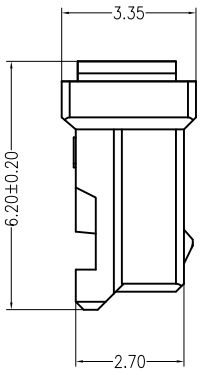
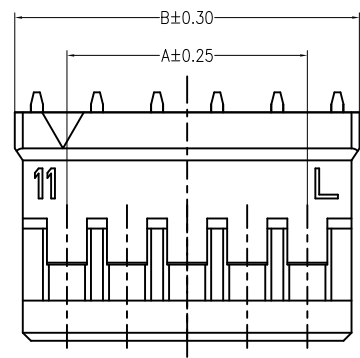
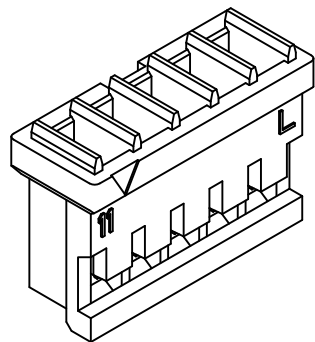
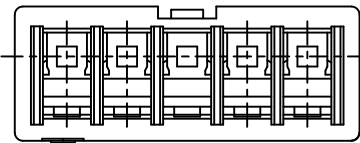


Ordering Information & Specification:

Part No	Wire Range	Insulation O. D.	Material	Finish	Qty/Reel
A1504T	AWG #24~#26	0.95~1.20mm	Phosphor bronze	Sn-plated	
JKUN 温州健坤接插件有限公司 WENZHOU JKUN CONNECTOR CO.,LTD.			TITLE: 1.5mm Terminal		
GENERAL TOLERANCE		USE:	PART NO.:		
X. ±0.50	X. ±5°	CUSTOMER	A1504T端子		
X.X ±0.30	X.X ±2°	APPD: 王锋	DWG NO.:		
X.XX ±0.20	X.XX ±1°	CHKD: 曾令青	JKUN-GCDZ-0077		
UNITS: mm		DR: 蒋建银	SCALE 1 : 1	SHEET 1 / 1	

REV	DESCRIPTION	DESIGN	DATE
A	NEW RELEASE	蒋建银	2020/12/16

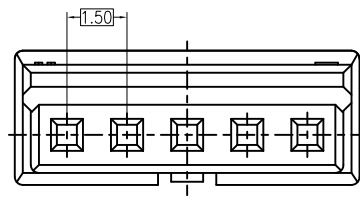
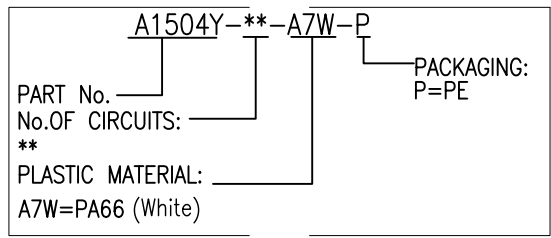
PIN.	DIM A	DIM B
2pin	1.50	4.10
3pin	3.00	5.60
4pin	4.50	7.10
5pin	6.00	8.60
6pin	7.50	10.10
7pin	9.00	11.60
8pin	10.50	13.10
9pin	12.00	14.60
10pin	13.50	16.10
11pin	15.00	17.60
12pin	16.50	19.10
13pin	18.00	20.60
14pin	19.50	22.10
15pin	21.00	23.60



Specifications:

Contact resistance: ≤20mΩ
 Insulation resistance: ≥500MΩ
 Rated voltage: 250V AC DC
 Rated current: 3.0A AC DC
 Withstand Voltage: 1000V AC/minute
 Temperature Range: -25°C ~ +85°C
 Housing: PA66 UL94V-0, White

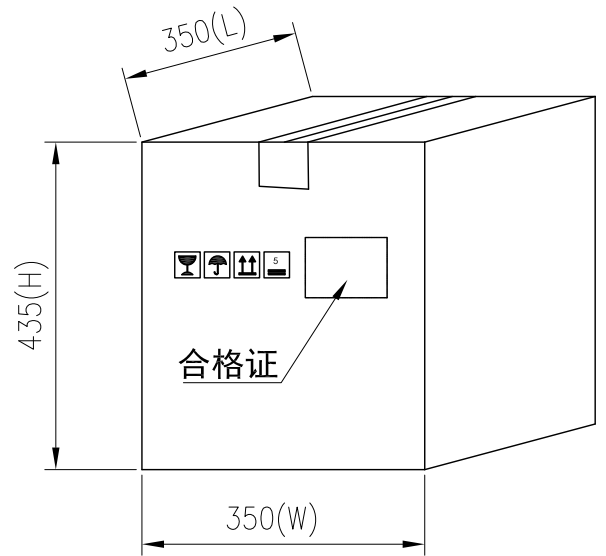
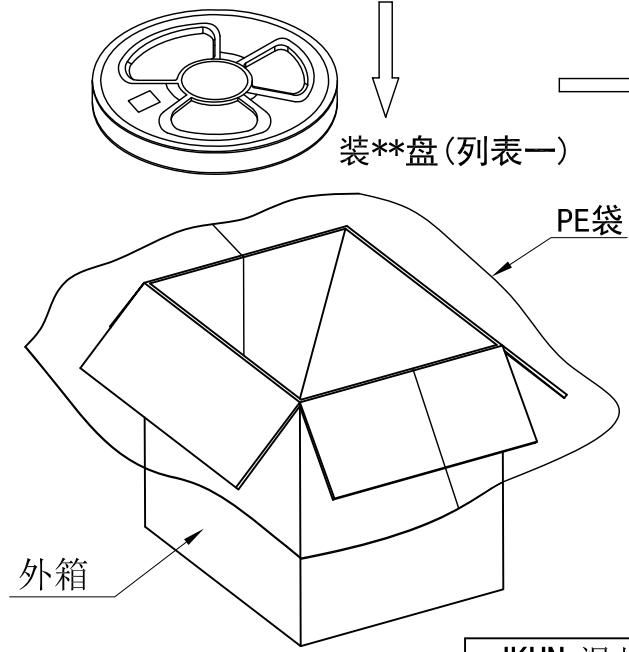
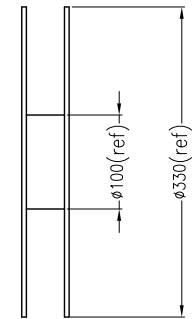
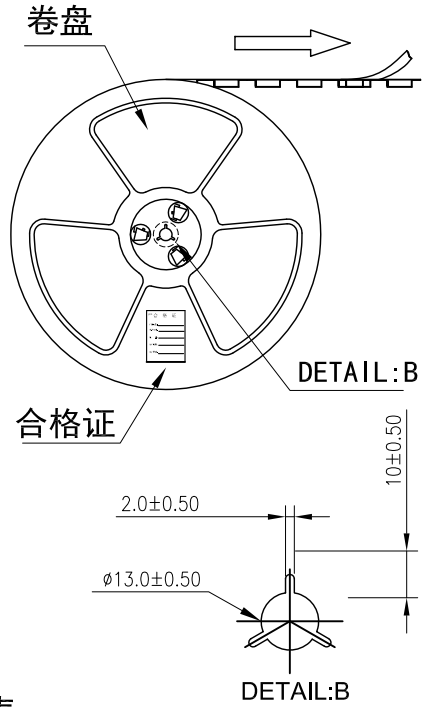
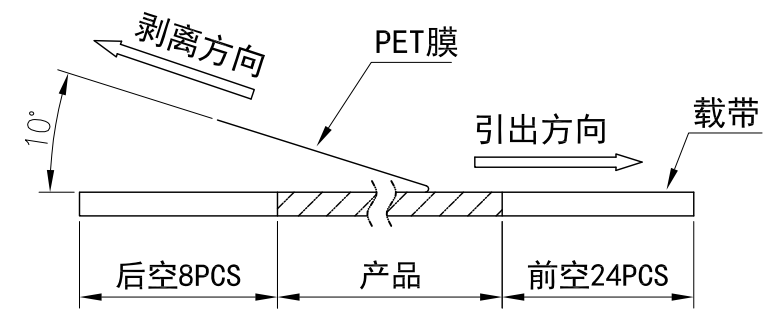
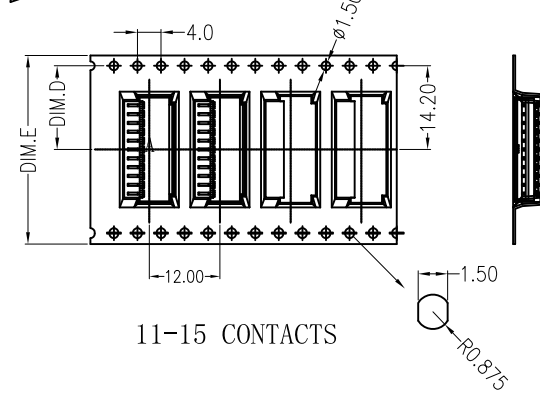
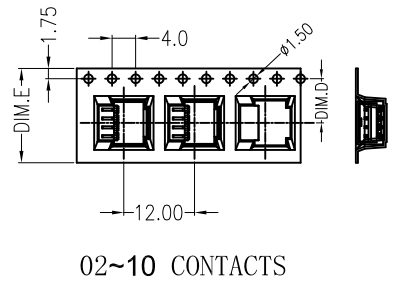
ORDER INFORMATION:



JKUN 温州健坤接插件有限公司 WENZHOU JKUN CONNECTOR CO.,LTD.		TITLE: 1.5mm housing	
GENERAL TOLERANCE		USE: CUSTOMER	PART NO.:
X. ±0.50	X. ±5°	APPD: 王锋	A1504Y-**-A7W-P
X.X ±0.30	X.X ±2°	CHKD: 曾令青	DWG NO.:
X.XX ±0.20	X.XX ±1°	DR: 蒋建银	JKUN-GCKH-0623
UNITS: mm		SCALE 1 : 1	SHEET 1 / 1

REV	ECN No.	DESCRIPTION	DESIGN	DATE
A		Release	蒋建银	2017.10.22

产品引出方向



列表一

Circuits	DIM. D	DIM. E	Q'ty/Reel	Packing (Reel/Caton)
02~04PIN	7.5	16	1000PCS	20/Reel
05~10PIN	11.50	24	1000PCS	15/Reel
11~13PIN	14.20	32	1000PCS	11/Reel
14~15PIN	20.20	44	1000PCS	8/Reel

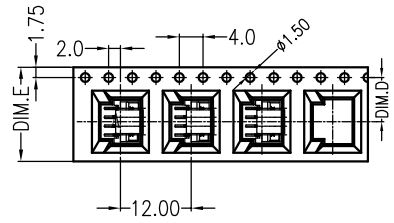
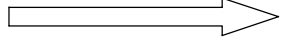
包装说明:

- 把成品包入卷盘中, 每盘装1000PCS, 卷盘上贴上合格证, 将装好产品的卷盘放进外箱中, 外箱内先套一个大PE袋, 外箱上贴贴上合格证.
- 所有材料有害物控制需符合RoHS标准.

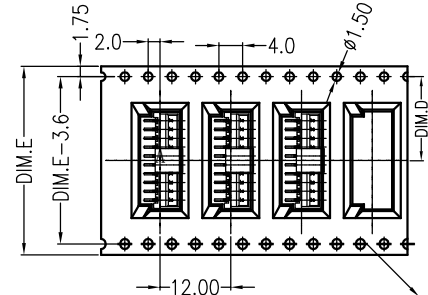
JKUN 温州健坤接插件有限公司 WENZHOU JKUN CONNECTOR CO., LTD.			TITLE:	
X.± 0.5	X.±*	USE:	CUSTOMER	
.X± 0.3	.X±*	APPD:	邵敬和	
.XX±0.25	.XX±*	CHKD:	田峰	
--	--	DR:	蒋建银	
UNITS: mm		SCALE	SHEET	
		1 : 1	1 / 1	

REV	ECN No.	DESCRIPTION	DESIGN	DATE
A		Release	蒋建银	2018.08.22

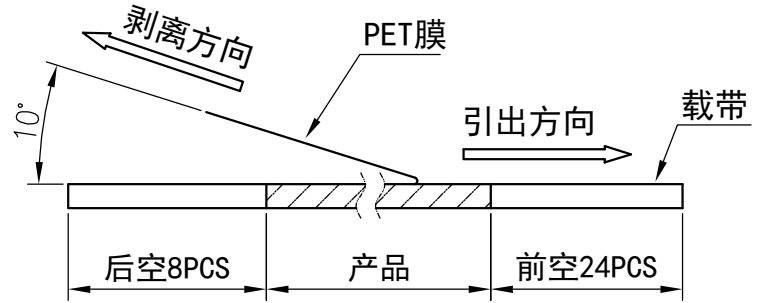
产品引出方向



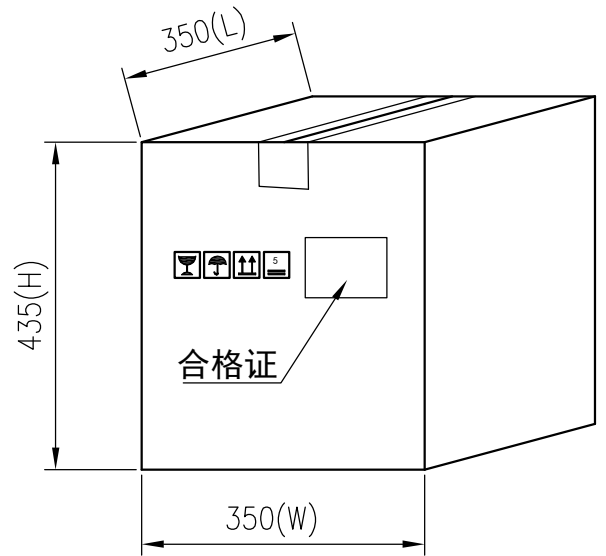
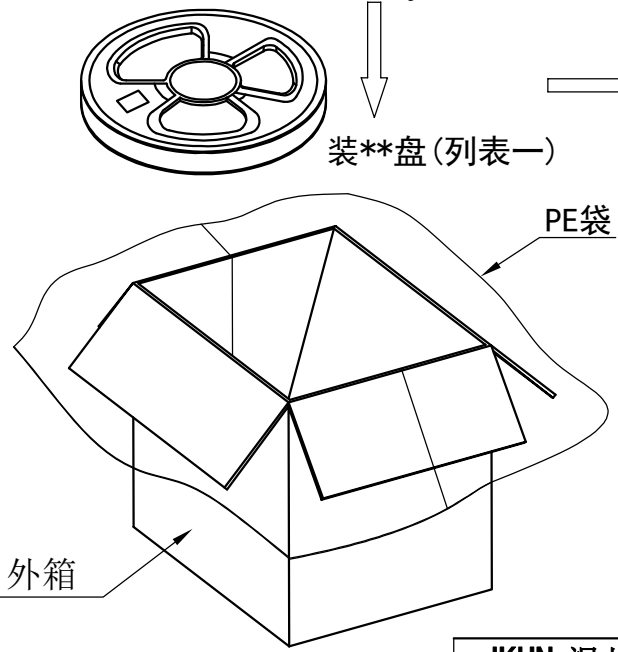
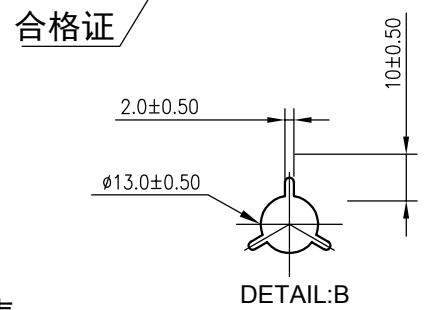
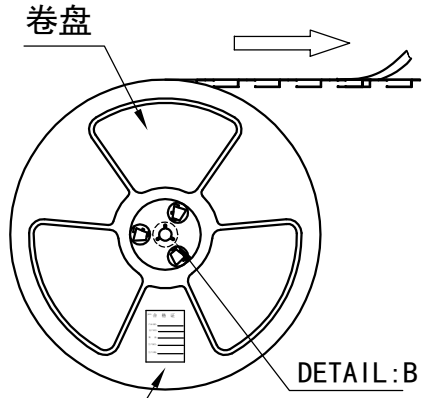
02~09 CONTACTS



10~15 CONTACTS



(PET膜剥离示意图)



列表一

Circuits	DIM. D	DIM. E	Q'ty/Reel	Packing (Reel/Caton)
02~04PIN	7.5	16	800PCS	20/Reel
05~09PIN	11.50	24	800PCS	15/Reel
10~13PIN	14.20	32	800PCS	11/Reel
14~15PIN	20.20	44	800PCS	8/Reel

- 包装说明:
- 把成品包入卷盘中, 每盘装800PCS, 卷盘上贴上合格证, 将装好产品的卷盘放进外箱中, 外箱内先套一个大PE袋, 外箱上贴贴上合格证.
 - 所有材料有害物控制需符合 RoHS标准.

JKUN 温州健坤接插件有限公司 WENZHOU JKUN CONNECTOR CO., LTD.			TITLE:	
X.± 0.5	X.±*	USE:	CUSTOMER	
.X± 0.3	.X±*	APPD:	邵敬和	
.XX±0.25	.XX±*	CHKD:	田峰	
--	--	DR:	蒋建银	
UNITS: mm			SCALE	SHEET
			1 : 1	1 / 1

PART NO.: A1504AWW 卷装

DWG NO.: JKUN-GCBZ-0747