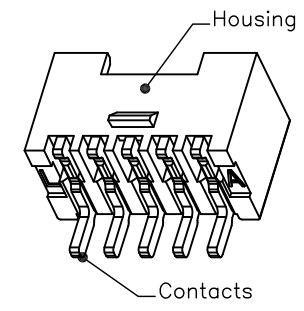
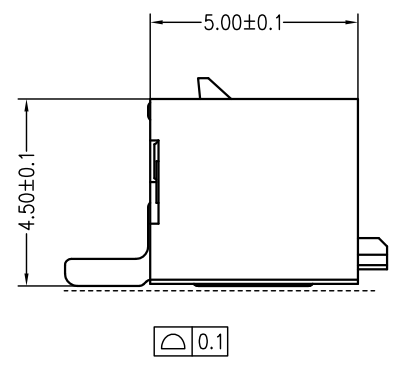
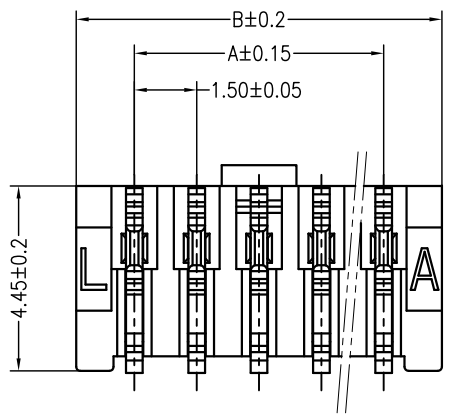


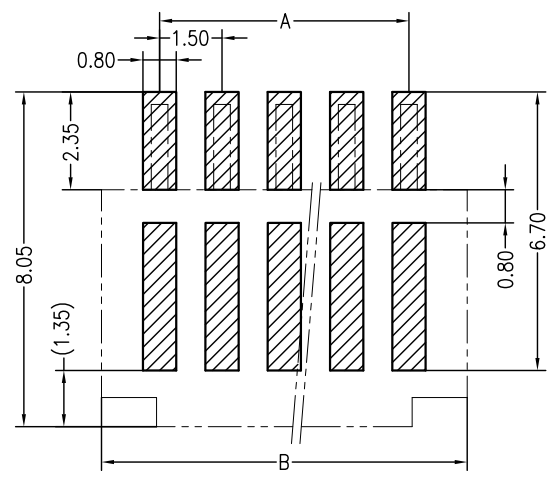
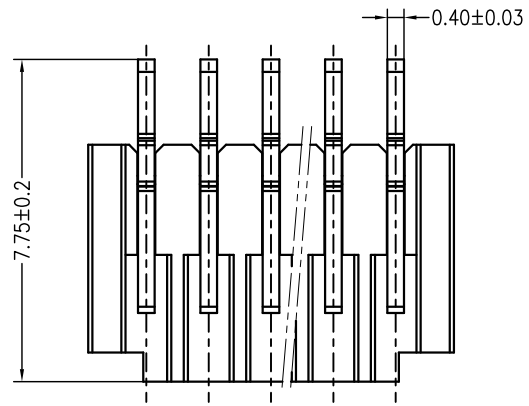
A B C D E F

REV	DESCRIPTION	DESIGN	DATE
A0	NEW RELEASE	Tianfeng	2018/06/28



3D VIEWS

PIN.	DIM A	DIM B	DIM C
2pin	1.50	4.30	3.70
3pin	3.00	5.80	5.20
4pin	4.50	7.30	6.70
5pin	6.00	8.80	8.20
6pin	7.50	10.30	9.70
7pin	9.00	11.80	11.20
8pin	10.50	13.30	12.70
9pin	12.00	14.80	14.20
10pin	13.50	16.30	15.70
11pin	15.00	17.80	17.20
12pin	16.50	19.30	18.70
13pin	18.00	20.80	20.20
14pin	19.50	22.30	21.70
15pin	21.00	23.80	23.20

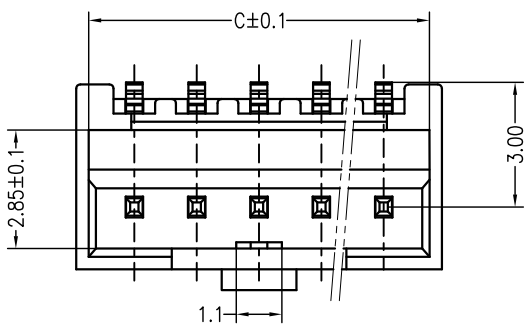
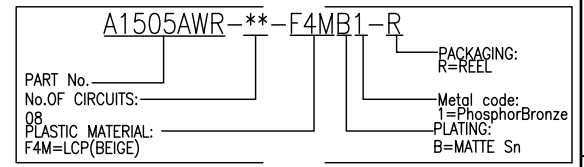


SUGGESTED PCB LAYOUT

Specifications:

- Poles: 02 to 15
- Contact resistance: ≤20mΩ
- Insulation resistance: ≥1000MΩ
- Rated voltage: 350V AC DC
- Rated current: 3.0A AC DC
- Withstand Voltage: 500V AC/minute
- Temperature Range: -25°C ~ +85°C
- Housing: LCP UL94V-0, Natural (Beige)
- Contacts: Phosphor Bronze/MATTE Sn

ORDER INFORMATION:

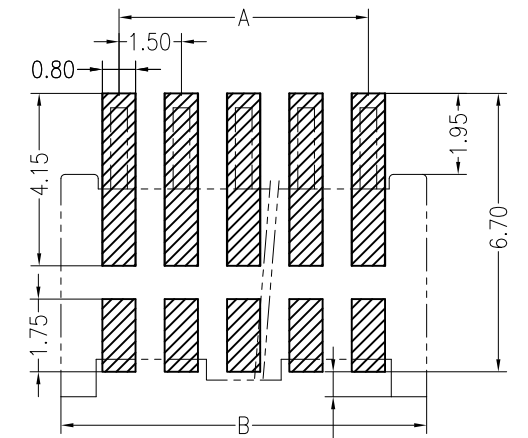


JKUN 温州健坤接插件有限公司 WENZHOU JKUN CONNECTOR CO.,LTD.		TITLE: 1.5mmPITCH 90°WAFER SMT TYPE	
GENERAL TOLERANCE		USE:	PART NO.:
X. ±0.50	X. ±5°	CUSTOMER	A1505AWR-**-F4MB1-R
X.X ±0.30	X.X ±2°	APPD: Shaojinghe	DWG NO.:
X.XX ±0.20	X.XX ±1°	CHKD: Tianfeng	JKUN-GCCP-0786
UNITS: mm	DR: Jiangjianyin	SCALE 1 : 1	SHEET 1 / 1

A B C D E F

REV	DESCRIPTION	DESIGN	DATE
A0	NEW RELEASE	Tianfeng	2018/06/28

PCB LAYOUT



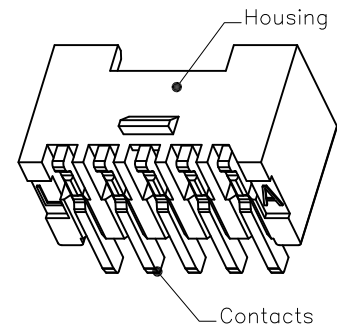
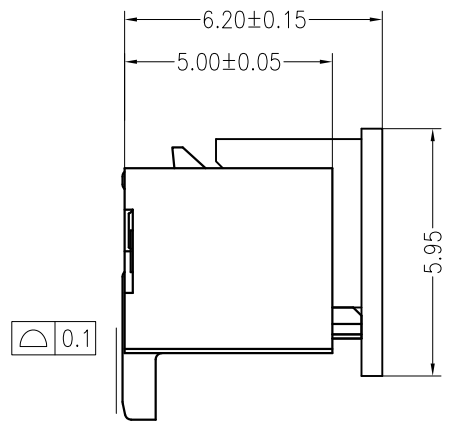
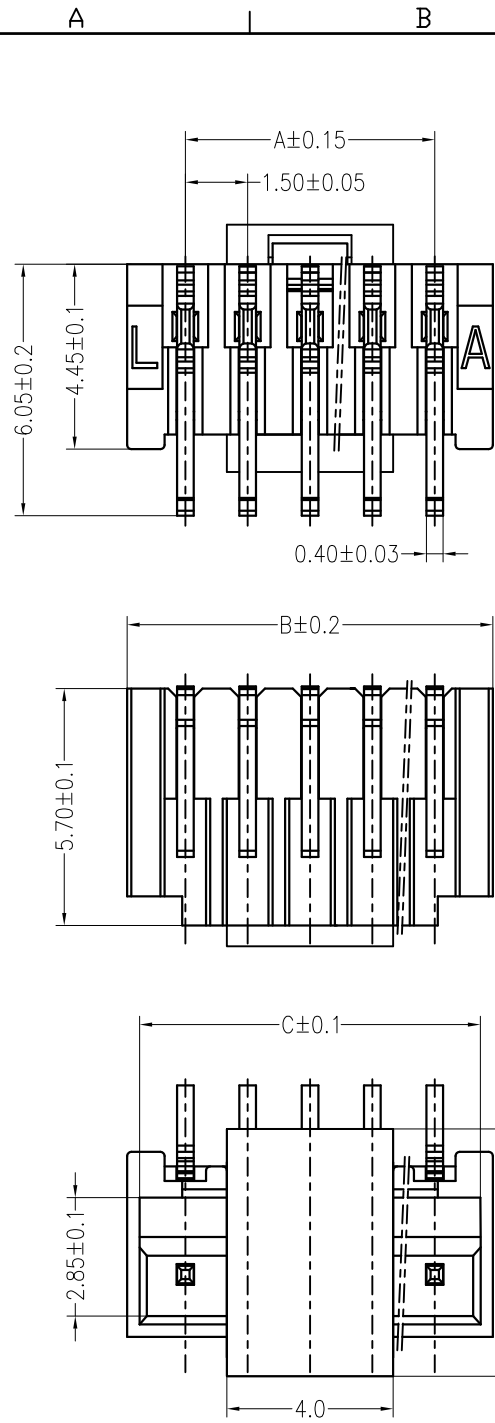
Specifications:

- Poles: 02 to 15
- Contact resistance: $\leq 20m\Omega$
- Insulation resistance: $\geq 1000M\Omega$
- Rated voltage: 350V AC DC
- Rated current: 3.0A AC DC
- Withstand Voltage: 500V AC/minute
- Temperature Range: $-25^{\circ}C \sim +85^{\circ}C$
- Housing: LCP UL94V-0, Natural (Beige)
- Contacts: Phosphor Bronze/MATTE Sn
- Cap: LCP UL94V-0, Natural (Beige)

ORDER INFORMATION:

A1505AWV--F4MB1-R-X**

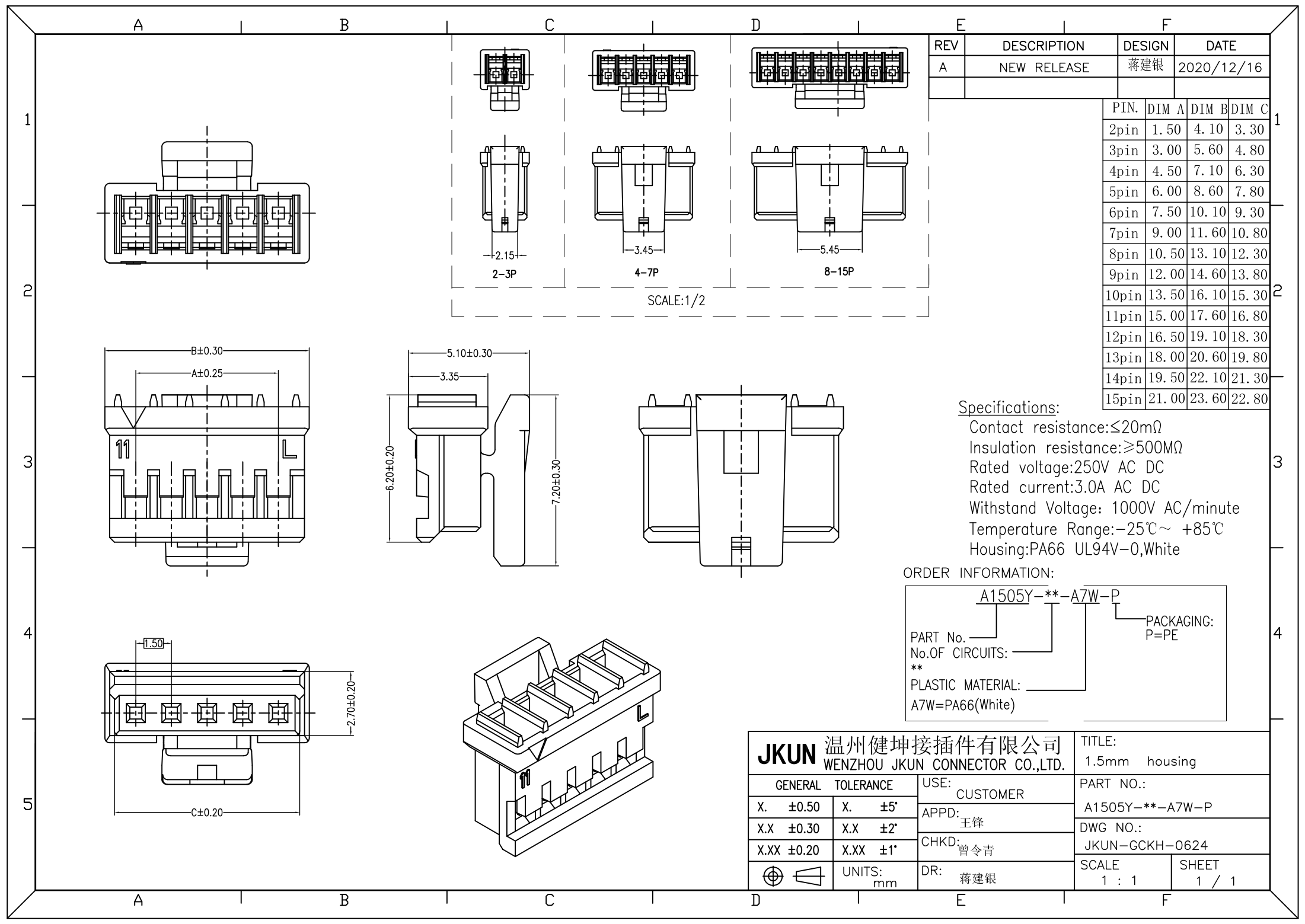
PART No. _____	X: CAP
No. OF CIRCUITS: _____	PACKAGING:
QB _____	R=REL
PLASTIC MATERIAL: _____	B=BE
F4M=LCP(BEIGE)	Metal code:
	1=PhosphorBronze
	PLATING:
	B=MATTE Sn



3D VIEWS

PIN.	DIM A	DIM B	DIM C
2pin	1.50	4.30	3.70
3pin	3.00	5.80	5.20
4pin	4.50	7.30	6.70
5pin	6.00	8.80	8.20
6pin	7.50	10.30	9.70
7pin	9.00	11.80	11.20
8pin	10.50	13.30	12.70
9pin	12.00	14.80	14.20
10pin	13.50	16.30	15.70
11pin	15.00	17.80	17.20
12pin	16.50	19.30	18.70
13pin	18.00	20.80	20.20
14pin	19.50	22.30	21.70
15pin	21.00	23.80	23.20

JKUN 温州健坤接插件有限公司 WENZHOU JKUN CONNECTOR CO.,LTD.		TITLE: 1.5mmPITCH 180°WAFER SMT TYPE	
GENERAL TOLERANCE		USE: CUSTOMER	PART NO.:
X. ±0.50	X. ±5°	APPD: Liuzhenling	A1505AWV-**-F4MB1-R-X
X.X ±0.30	X.X ±2°	CHKD: Wangliang	DWG NO.:
X.XX ±0.20	X.XX ±1°	DR: Jiangjiayin	JKUN-GCCP-0787
UNITS: mm		SCALE 1 : 1	SHEET 1 / 1



REV	DESCRIPTION	DESIGN	DATE
A	NEW RELEASE	蒋建银	2020/12/16

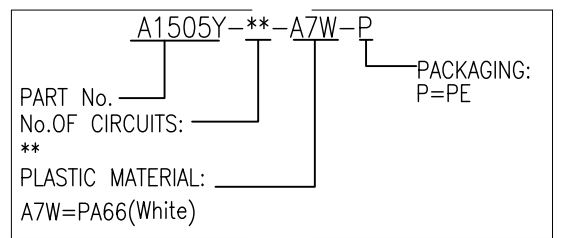
PIN.	DIM A	DIM B	DIM C
2pin	1.50	4.10	3.30
3pin	3.00	5.60	4.80
4pin	4.50	7.10	6.30
5pin	6.00	8.60	7.80
6pin	7.50	10.10	9.30
7pin	9.00	11.60	10.80
8pin	10.50	13.10	12.30
9pin	12.00	14.60	13.80
10pin	13.50	16.10	15.30
11pin	15.00	17.60	16.80
12pin	16.50	19.10	18.30
13pin	18.00	20.60	19.80
14pin	19.50	22.10	21.30
15pin	21.00	23.60	22.80

SCALE:1/2

Specifications:

- Contact resistance: ≤20mΩ
- Insulation resistance: ≥500MΩ
- Rated voltage: 250V AC DC
- Rated current: 3.0A AC DC
- Withstand Voltage: 1000V AC/minute
- Temperature Range: -25°C ~ +85°C
- Housing: PA66 UL94V-0, White

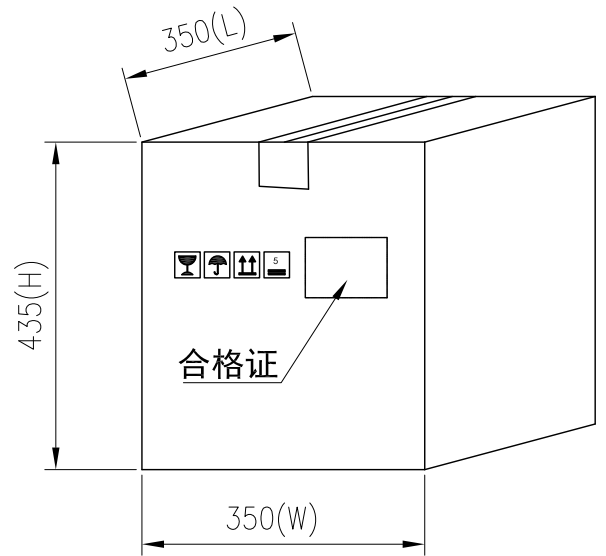
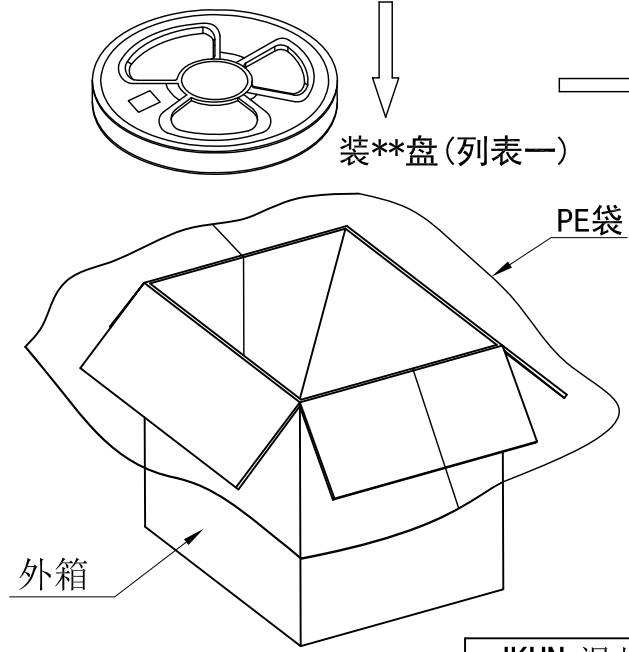
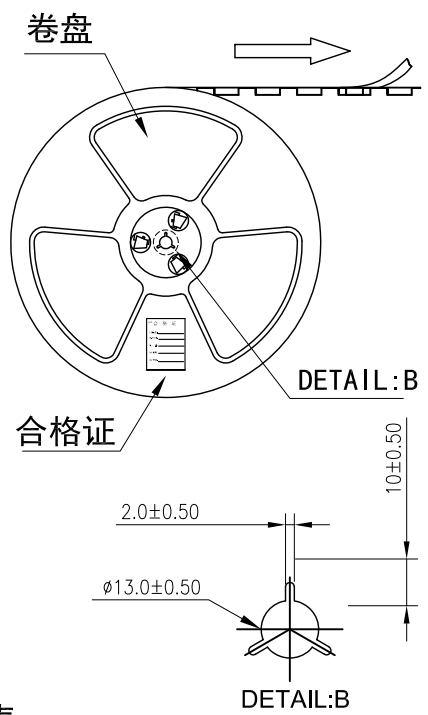
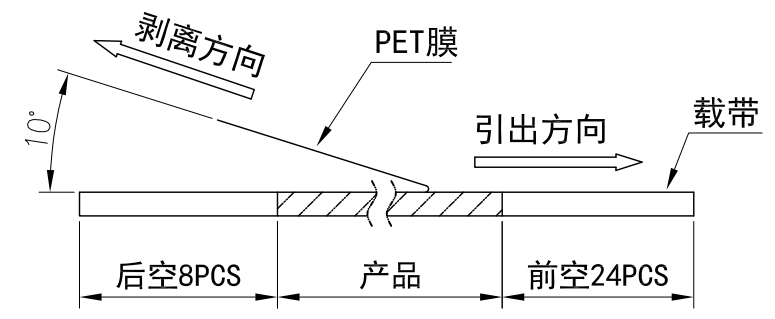
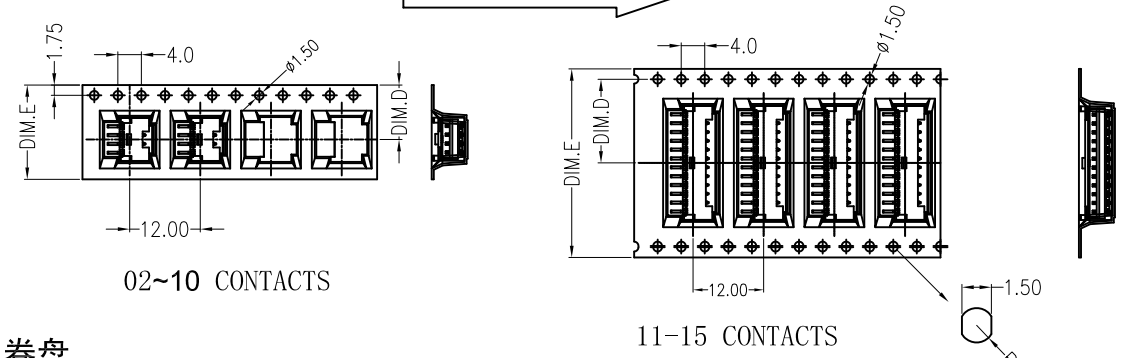
ORDER INFORMATION:



JKUN 温州健坤接插件有限公司 WENZHOU JKUN CONNECTOR CO.,LTD.		TITLE: 1.5mm housing	
GENERAL TOLERANCE		USE: CUSTOMER	PART NO.:
X. ±0.50	X. ±5'	APPD: 王锋	A1505Y-**-A7W-P
X.X ±0.30	X.X ±2'	CHKD: 曾令青	DWG NO.:
X.XX ±0.20	X.XX ±1'	DR: 蒋建银	JKUN-GCKH-0624
UNITS: mm		SCALE 1 : 1	SHEET 1 / 1

REV	ECN No.	DESCRIPTION	DESIGN	DATE
A		Release	蒋建银	2017.10.22

产品引出方向



列表一

Circuits	DIM. D	DIM. E	Q'ty/Reel	Packing (Reel/Caton)
02~04PIN	7.5	16	1000PCS	20/Reel
05~10PIN	11.50	24	1000PCS	15/Reel
11~13PIN	14.20	32	1000PCS	11/Reel
14~15PIN	20.20	44	1000PCS	8/Reel

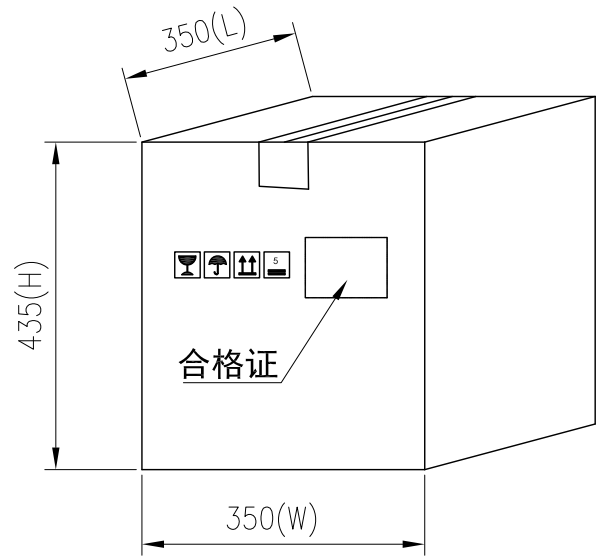
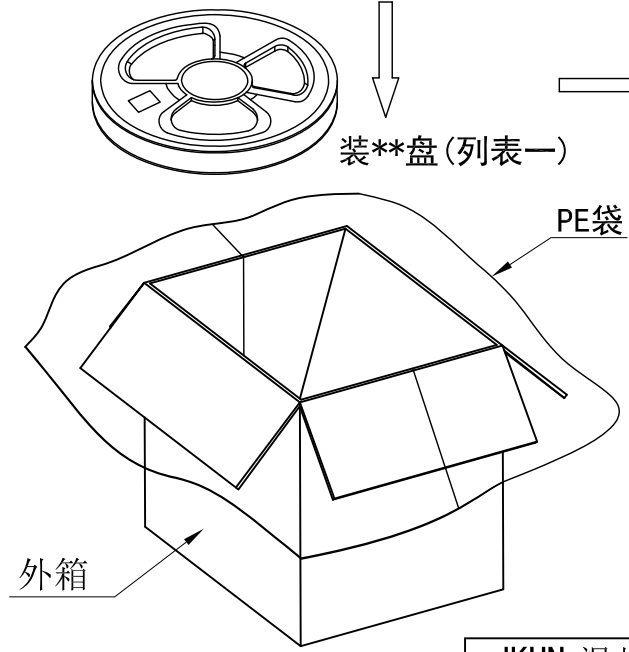
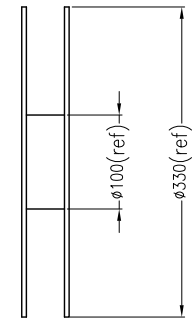
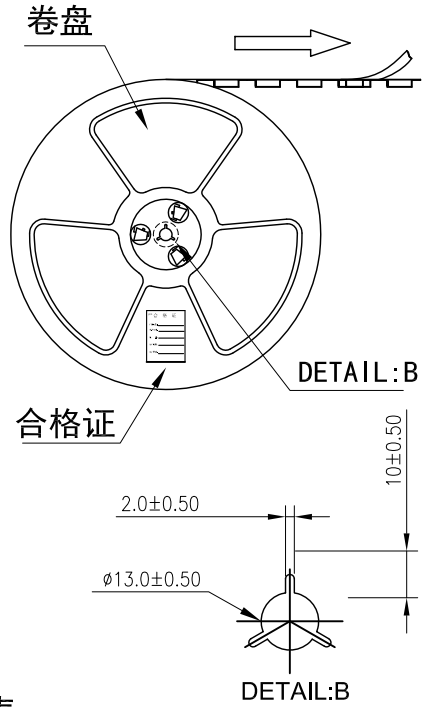
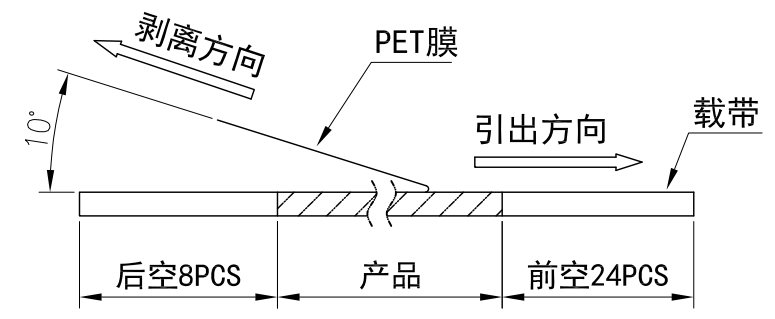
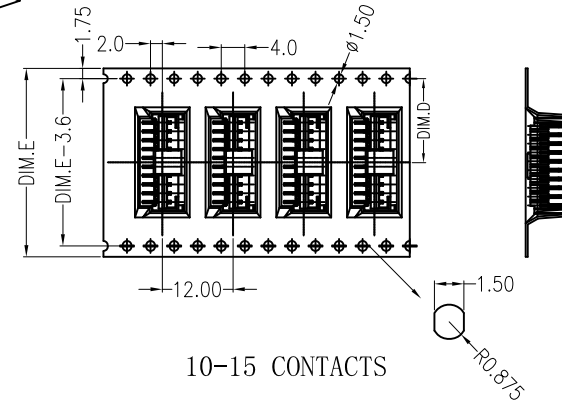
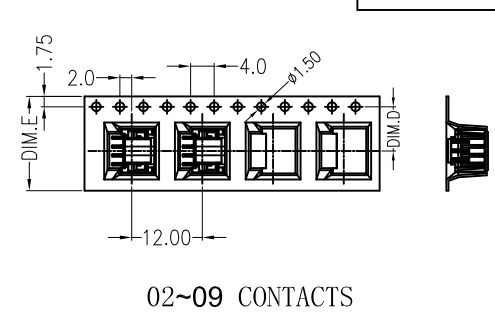
包装说明:
 1. 把成品包入卷盘中, 每盘装1000PCS, 卷盘上贴上合格证, 将装好产品的卷盘放进外箱中, 外箱内先套一个大PE袋, 外箱上贴贴上合格证。
 2. 所有材料有害物控制需符合RoHS标准。

JKUN 温州健坤接插件有限公司 WENZHOU JKUN CONNECTOR CO., LTD.			TITLE:	
X.± 0.5	X.±*	USE:	CUSTOMER	
.X± 0.3	.X±*	APPD:	邵敬和	
.XX±0.25	.XX±*	CHKD:	田峰	
--	--	DR:	蒋建银	
UNITS: mm		SCALE		SHEET
		1 : 1		1 / 1

A B C D E F

REV	ECN No.	DESCRIPTION	DESIGN	DATE
A		Release	蒋建银	2017.10.22

产品引出方向



列表一

Circuits	DIM. D	DIM. E	Q'ty/Reel	Packing (Reel/Caton)
02~04PIN	7.5	16	800PCS	20/Reel
05~09PIN	11.50	24	800PCS	15/Reel
10~13PIN	14.20	32	800PCS	11/Reel
14~16PIN	20.20	44	800PCS	8/Reel

包装说明:
 1. 把成品包入卷盘中, 每盘装800PCS, 卷盘上贴上合格证, 将装好产品的卷盘放进外箱中, 外箱内先套一个大PE袋, 外箱上贴贴上合格证。
 2. 所有材料有害物控制需符合RoHS标准。

JKUN 温州健坤接插件有限公司 WENZHOU JKUN CONNECTOR CO., LTD.			TITLE:	
X.± 0.5	X.±*	USE:	CUSTOMER	
.X± 0.3	.X±*	APPD:	刘振岭	
.XX±0.25	.XX±*	CHKD:	王亮	
--	--	DR:	蒋建银	
UNITS: mm		PART NO.:		A1505AWW 卷装
		DWG NO.:		JKUN-GCBZ-0787
		SCALE	SHEET	
		1 : 1	1 / 1	