

REV	DESCRIPTION	DESIGN	DATE
A0	NEW RELEASE	Steven	2019/00/00

Specifications:
 Contact resistance: $\leq 20m\Omega$
 Insulation resistance: $\geq 500M\Omega$
 Rated voltage: 100V AC DC
 Rated current: 2.0A AC DC (AWG#24)
 Withstand Voltage: 500V AC/minute
 Temperature Range: $-40^{\circ}C \sim +105^{\circ}C$
 Housing: LCP UL94V-0, Natural (Beige)
 Contacts: Phosphor Bronze/Sn-plated
 Solder Tabs: Brass/Sn-plated

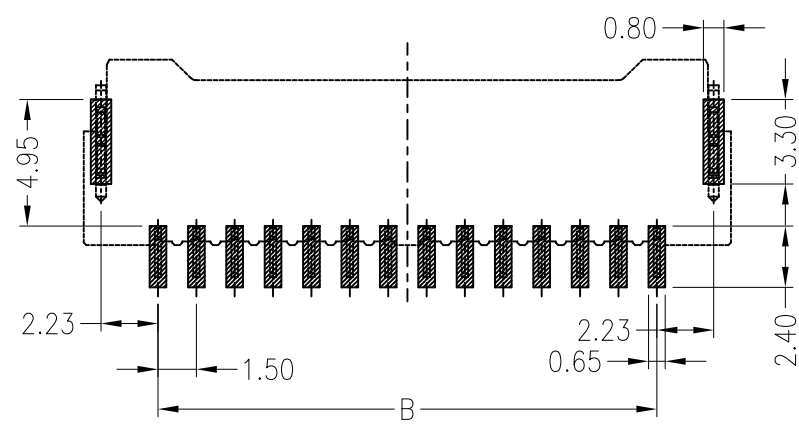
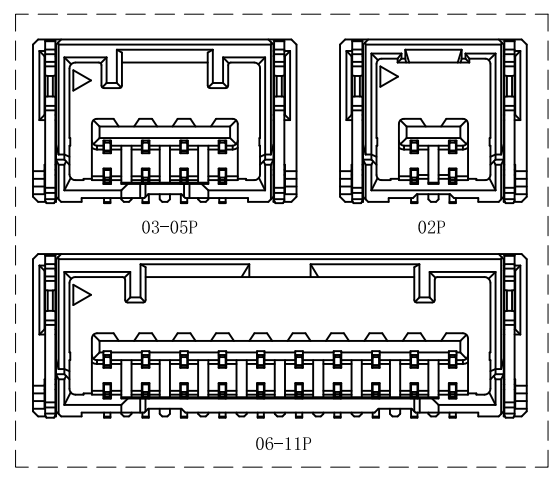
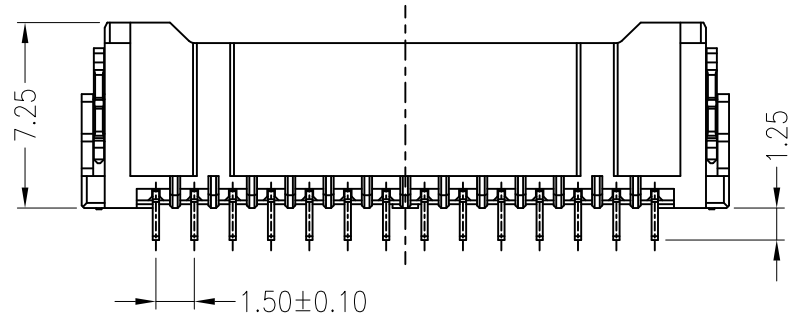
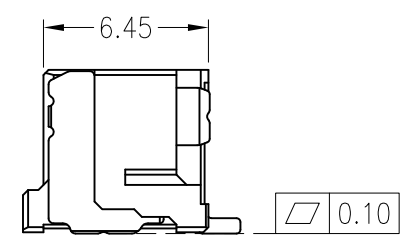
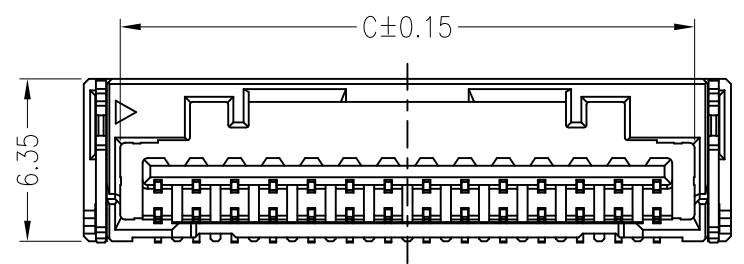
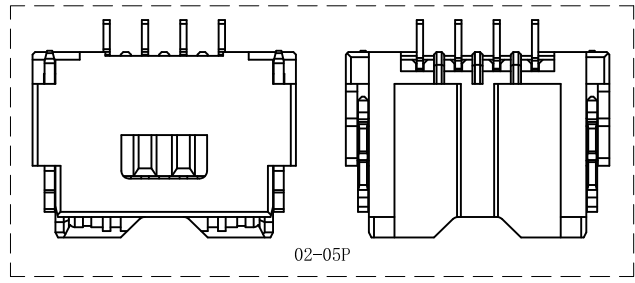
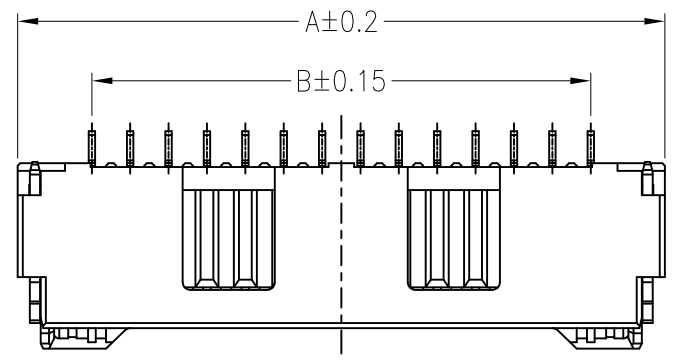
ORDER INFORMATION:

A1506AWR-**-F4MB1-R

PART No. _____
 No. OF CIRCUITS: _____
 02~15
 PLASTIC MATERIAL: _____
 F4M=LCP(BEIGE)

PACKAGING:
 R=REEL
 P=PE
 Metal code:
 1=PhosphorBronze
 PLATING:
 B=Matte Sn

孔位	尺寸	A	B	C	孔位	尺寸	A	B	C
2P		7.30	1.50	4.45	9P		17.80	12.00	14.95
3P		8.80	3.00	5.95	10P		19.30	13.50	16.45
4P		10.3	4.50	7.45	11P		20.80	15.00	17.95
5P		11.8	6.00	8.95	12P		22.30	16.50	19.45
6P		13.3	7.50	10.45	13P		23.80	18.00	20.95
7P		14.80	9.00	11.95	14P		25.30	19.50	22.45
8P		16.30	10.50	13.45	15P		26.80	21.00	23.95



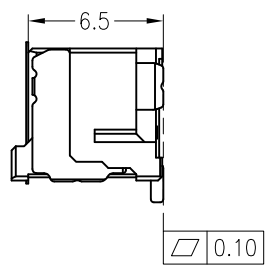
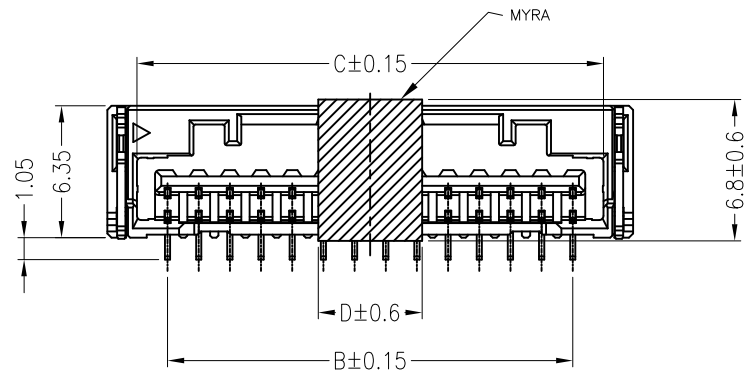
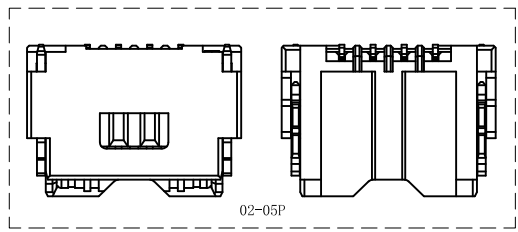
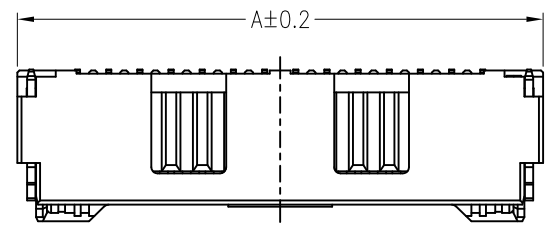
PCB LAYOUT

JKUN 温州健坤接插件有限公司
 WENZHOU JKUN CONNECTOR CO.,LTD.

GENERAL TOLERANCE		USE:
X. ± 0.50	X. $\pm 5^{\circ}$	CUSTOMER
X.X ± 0.30	X.X $\pm 2^{\circ}$	APPD: Wangliang
X.XX ± 0.20	X.XX $\pm 1^{\circ}$	CHKD: Zenglingqing
		DR: Steven

TITLE: 1.5 Pitch Wafer 90° SMT
PART NO.: A1506AWR-**-F4MB1-R
DWG NO.: JKUN-GCCP-0812
SCALE 1 : 1
SHEET 1 / 1

REV	DESCRIPTION	DESIGN	DATE
A0	NEW RELEASE	Steven	2019/07/16



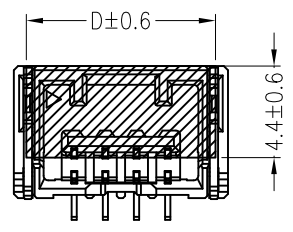
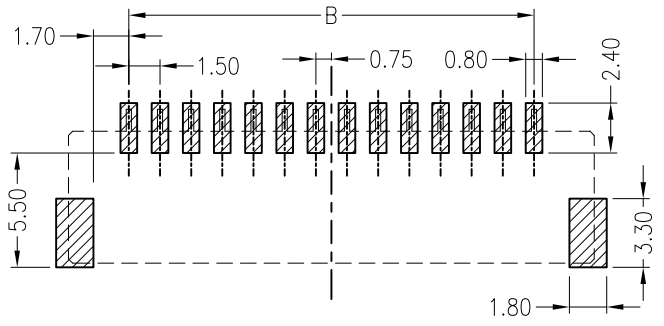
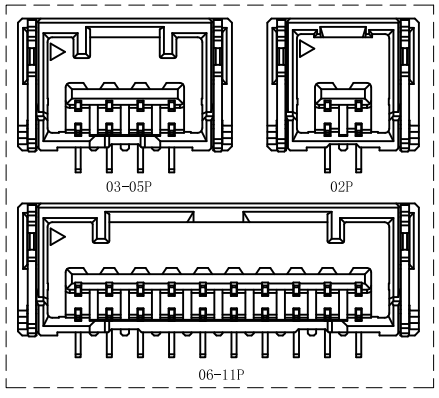
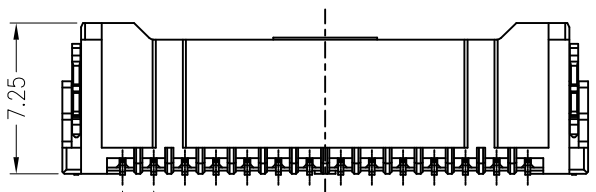
Specifications:
 Contact resistance: ≤20mΩ
 Insulation resistance: ≥500MΩ
 Rated voltage: 100V AC DC
 Rated current: 2.0A AC DC (AWG#24)
 Withstand Voltage: 500V AC/minute
 Temperature Range: -40°C ~ +105°C
 Housing: LCP UL94V-0, Natural (Beige)
 Contacts: Phosphor Bronze/Sn-plated
 Solder Tabs: Brass/Sn-plated

ORDER INFORMATION:

A1506AWV--F4MB1-R-M**

PART No. _____
 No. OF CIRCUITS: _____
 02~15
 PLASTIC MATERIAL: _____
 F4M=LCP(BEIGE)

Special code: M=Myra
 PACKAGING:
 R=REEL
 P=PE
 Metal code:
 1=Phosphor Bronze
 PLATING:
 B=Matte Sn



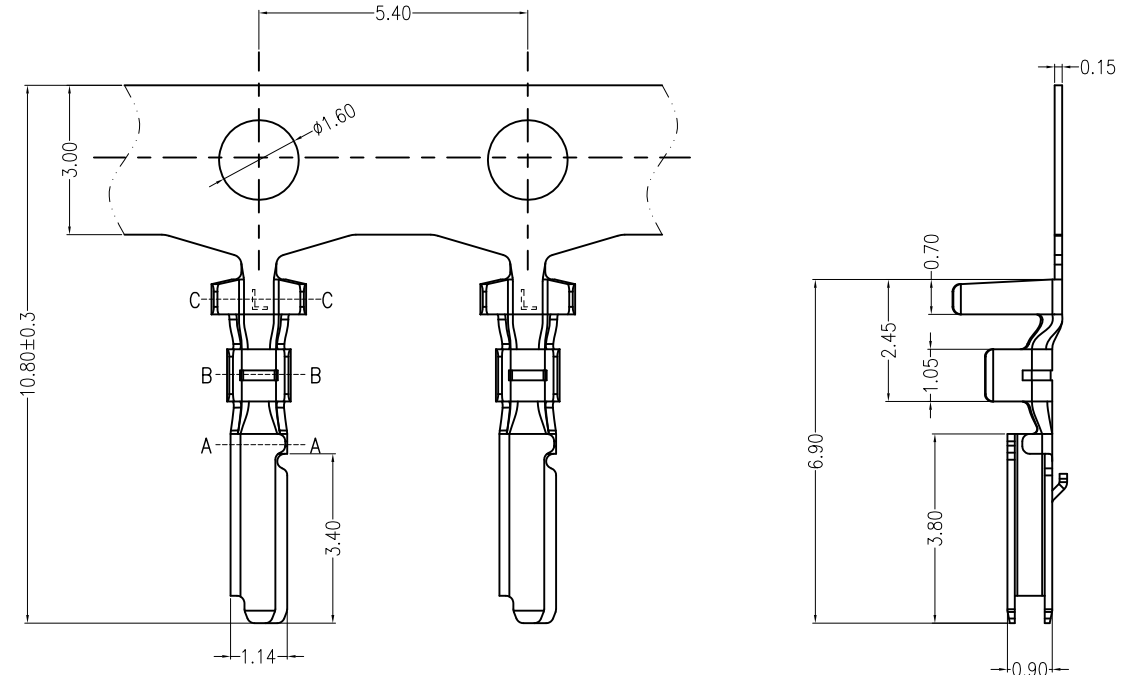
孔位	尺寸	A	B	C	D	孔位	尺寸	A	B	C	D
2P	7.30	1.50	4.45	6.10	9P	17.80	12.00	14.95	5.00		
3P	8.80	3.00	5.95	7.60	10P	19.30	13.50	16.45	5.00		
4P	10.3	4.50	7.45	9.10	11P	20.80	15.00	17.95	5.00		
5P	11.8	6.00	8.95	10.6	12P	22.30	16.50	19.45	5.00		
6P	13.3	7.50	10.45	12.1	13P	23.80	18.00	20.95	5.00		
7P	14.80	9.00	11.95	13.60	14P	25.30	19.50	22.45	5.00		
8P	16.30	10.50	13.45	5.00	15P	26.80	21.00	23.95	5.00		

JKUN 温州健坤接插件有限公司
WENZHOU JKUN CONNECTOR CO.,LTD.

TITLE: 1.5 Pitch Wafer 180° SMT

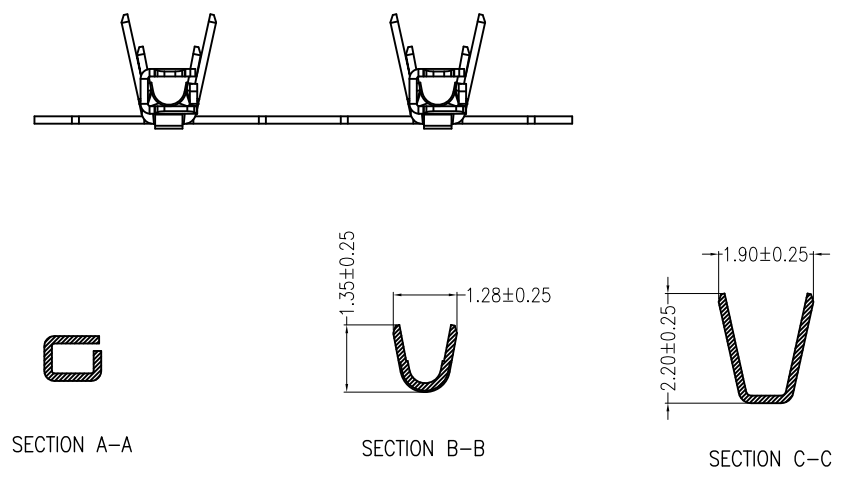
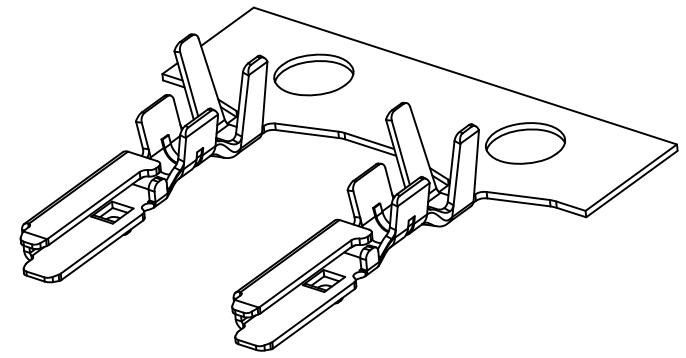
GENERAL TOLERANCE		USE: CUSTOMER	PART NO.: A1506AWV-**-F4MB1-R-M
X. ±0.50	X. ±5°	APPD: Wangliang	
X.X ±0.30	X.X ±2°	CHKD: Zenglingqing	SCALE: 1 : 1
X.XX ±0.20	X.XX ±1°	DR: Steven	SHEET: 1 / 1

REV	DESCRIPTION	DESIGN	DATE
A	NEW RELEASE	Lingqing	2021/03/13



Specifications:

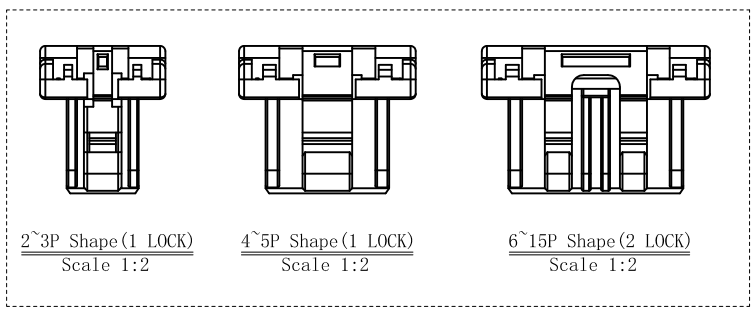
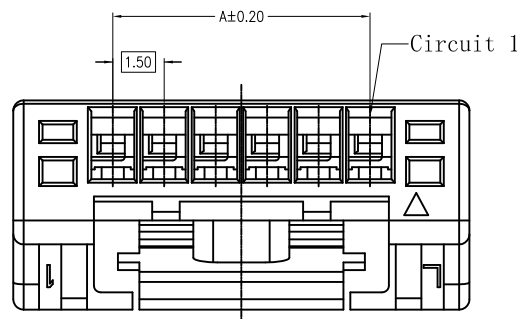
- Contact resistance: $\leq 20\text{m}\Omega$
- Insulation resistance: $\geq 500\text{M}\Omega$
- Rated voltage: 100V AC DC
- Rated current: 2.0A AC DC
- Withstand Voltage: 500V AC/minute
- Temperature Range: $-40^\circ\text{C} \sim +105^\circ\text{C}$
- Contacts: Phosphor Bronze Sn-plated



Ordering Information & Specification:

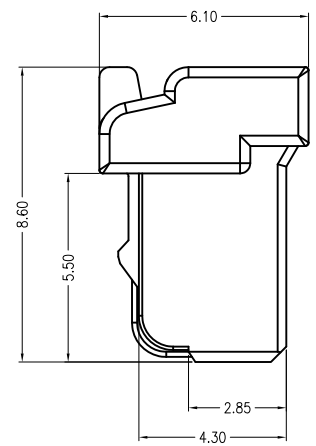
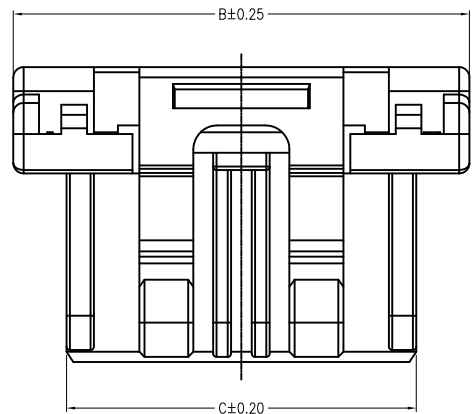
Part No	Wire Range	Insulation O.D.	Material	Finish	Qty/Reel
A1506T	AWG #24~#28	1.28mm(max)	Phosphor bronze	Tin-plated	
JKUN 温州健坤接插件有限公司 WENZHOU JKUN CONNECTOR CO.,LTD.				TITLE: MX 1.50 Terminal	
GENERAL TOLERANCE		USE:		PART NO.:	
X. ± 0.50	X. $\pm 5^\circ$	CUSTOMER		A1506T-01端子	
X.X ± 0.30	X.X $\pm 2^\circ$	APPD: Shaojinghe		DWG NO.:	
X.XX ± 0.20	X.XX $\pm 1^\circ$	CHKD: Fangsongle		JKUN-GCKH-0094	
UNITS: mm		DR: Zenglingqing		SCALE 1 : 1	SHEET 1 / 1

REV	DESCRIPTION	DESIGN	DATE
A	NEW RELEASE	Lingqing	2021/03/13



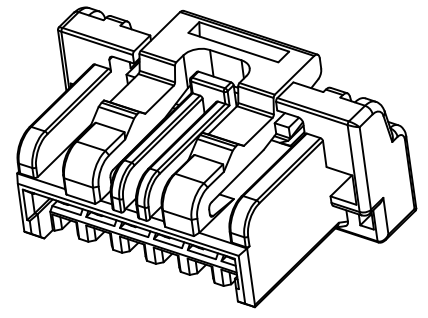
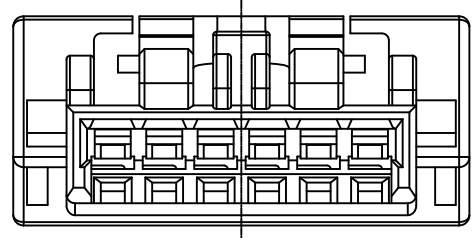
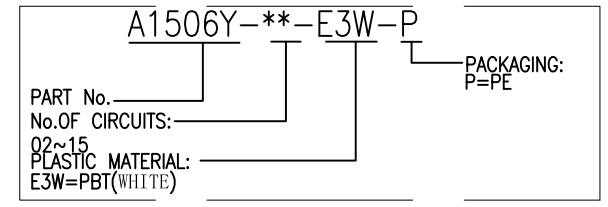
Specifications:

Contact resistance: $\leq 20m\Omega$
 Insulation resistance: $\geq 500M\Omega$
 Rated voltage: 100V AC DC
 Rated current: 2.0A AC DC
 Withstand Voltage: 500V AC/minute
 Temperature Range: $-40^{\circ}C \sim +105^{\circ}C$
 Housing: PBT UL94V-0, Natural



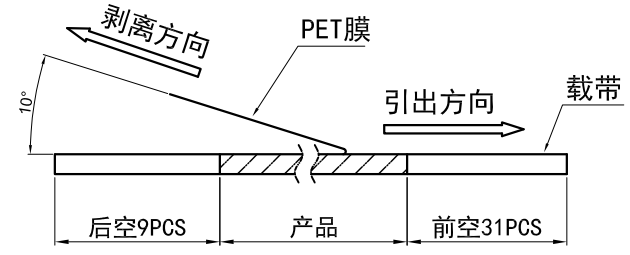
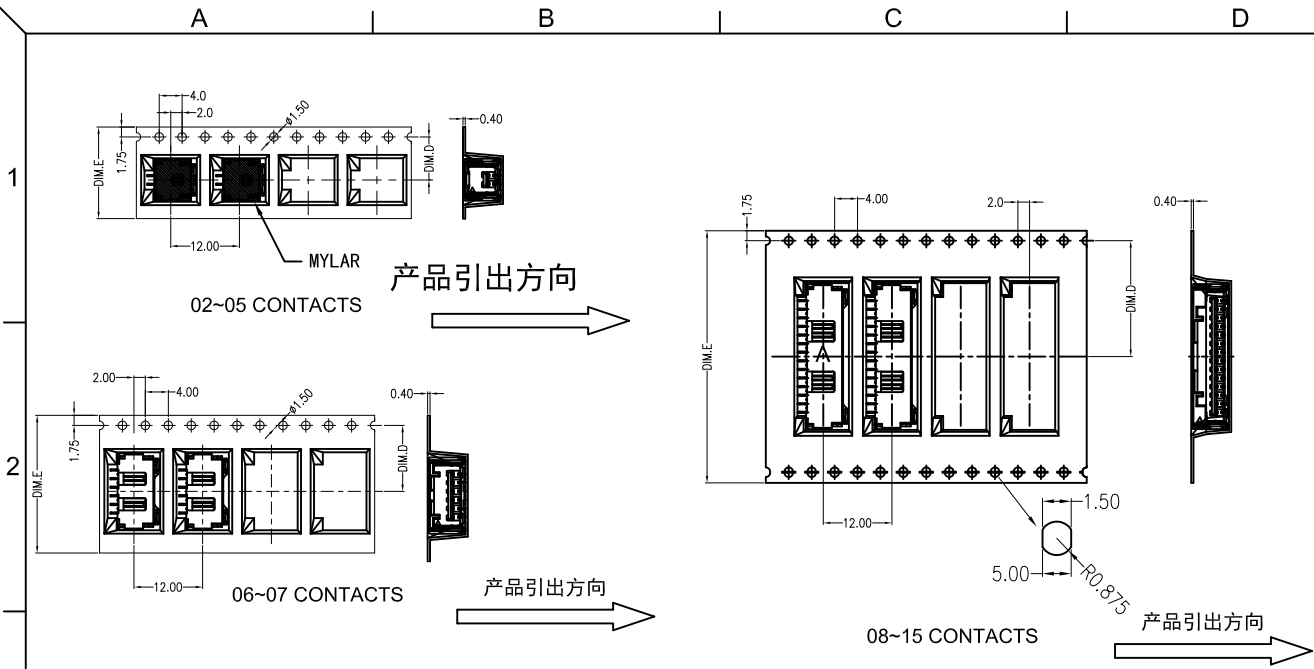
PIN.	A	B	C	PIN.	A	B	C
2pin	1.50	7.30	4.20	9pin	12.00	17.80	14.70
3pin	3.00	8.80	5.70	10pin	13.50	19.30	16.20
4pin	4.50	10.30	7.20	11pin	15.00	20.80	17.70
5pin	6.00	11.80	8.70	12pin	16.50	22.30	19.20
6pin	7.50	13.30	10.20	13pin	18.00	23.80	20.70
7pin	9.00	14.80	11.70	14pin	19.50	25.30	22.20
8pin	10.50	16.30	13.20	15pin	21.00	26.80	23.70

ORDER INFORMATION:

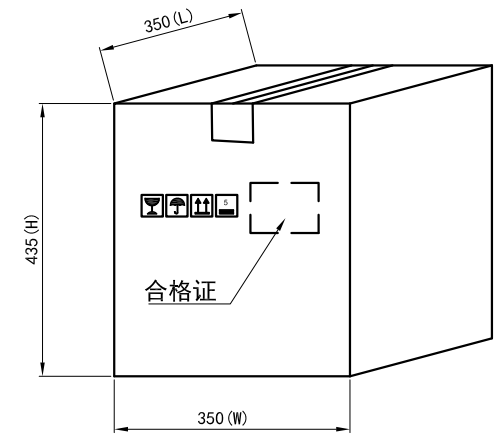
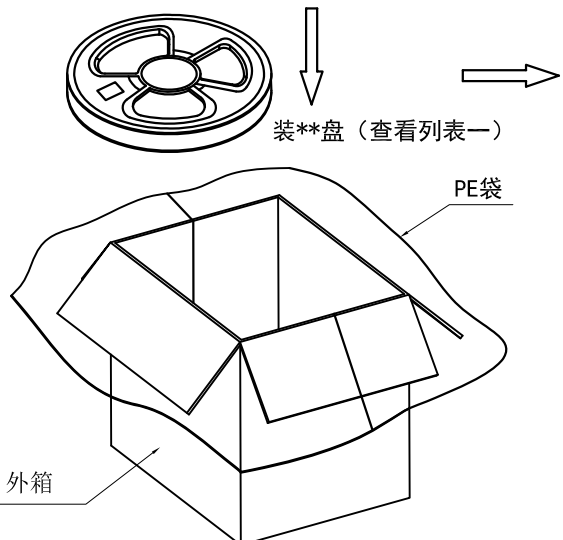
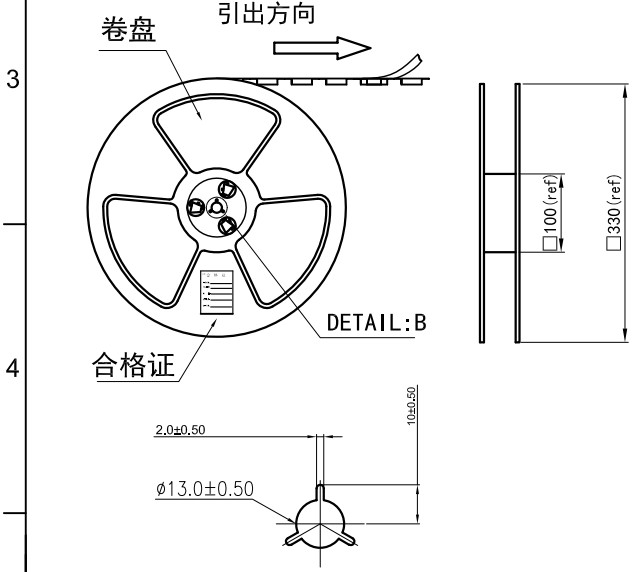


JKUN 温州健坤接插件有限公司 WENZHOU JKUN CONNECTOR CO.,LTD.			TITLE: 1.50mm PITCH Housing	
GENERAL TOLERANCE		USE:		PART NO.:
X. ± 0.50	X. $\pm 5^{\circ}$	CUSTOMER		
X.X ± 0.30		APPD:		A1506Y-**-E3W-P
X.XX ± 0.20		X.XX $\pm 2^{\circ}$		DWG NO.:
X.XX $\pm 1^{\circ}$		X.XX $\pm 1^{\circ}$		JKUN-GCKH-0912
UNITS: mm		DR:		SCALE
Zenglingqing		Zenglingqing		SHEET
				1 : 1
				1 / 1

REV	ECN No.	DESCRIPTION	DESIGN	DATE
A		Release	蒋建银	2019.04.28



(PET膜剥离示意图)



列表一

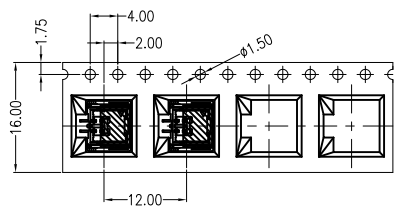
Circuits	DIM. D	DIM. E	Q'ty/Reel	Packing (Reel/Caton)
02~03 PIN	7.5	16	800PCS	20/Reel
04~07 PIN	11.5	24	800PCS	15/Reel
08~11 PIN	14.2	32	800PCS	11/Reel
12~15 PIN	20.2	44	800PCS	8/Reel

包装说明:

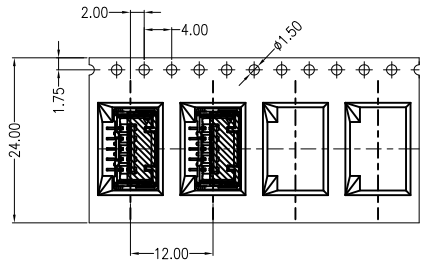
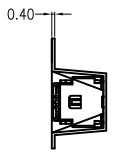
1. 把成品包入卷盘中, 每盘装800PCS, 卷盘上贴上合格证, 将装好产品的卷盘放进外箱中, 外箱内先套一个大PE袋, 外箱上贴贴上合格证.
2. 2~5Pin贴麦拉, 6~12孔不贴麦拉
3. 所有材料有害物控制需符合RoHS标准.

JKUN 温州健坤接插件有限公司 WENZHOU JKUN CONNECTOR CO., LTD.			TITLE: -	
X.± 0.5	X.±'	USE: MANUFACTURE	PART NO.: A1506AWR 包装规范	
.X± 0.3	.X±'		DWG NO.: JKUN/GCBZ-0812	
.XX±0.25	.XX±'	APPD: 刘振岭	SCALE 1 : 1	
--	--	CHKD: 王亮	SHEET 1 / 1	
⊕	◁	UNITS: mm	DR: 蒋建银	

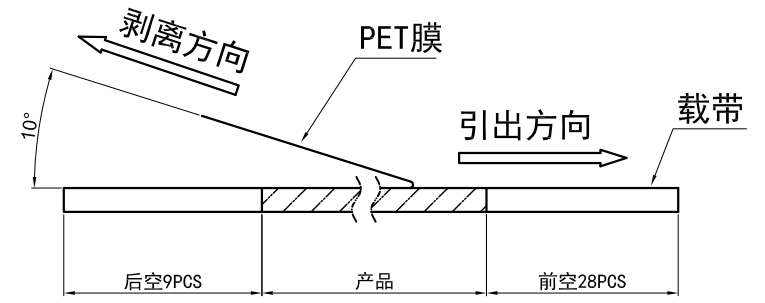
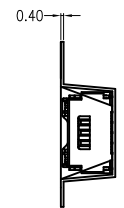
REV	ECN No.	DESCRIPTION	DESIGN	DATE
A		Release	蒋建银	2019.04.28



02~03 CONTACTS

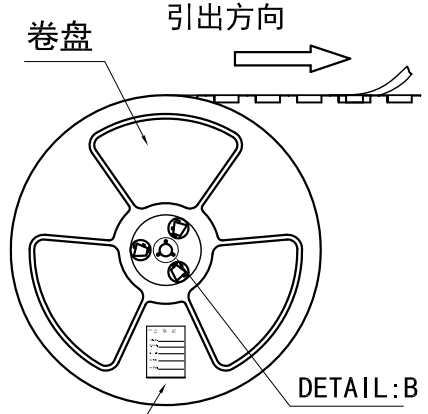
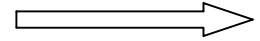


04~06 CONTACTS



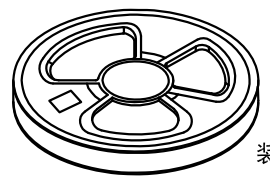
(PET膜剥离示意图)

产品引出方向

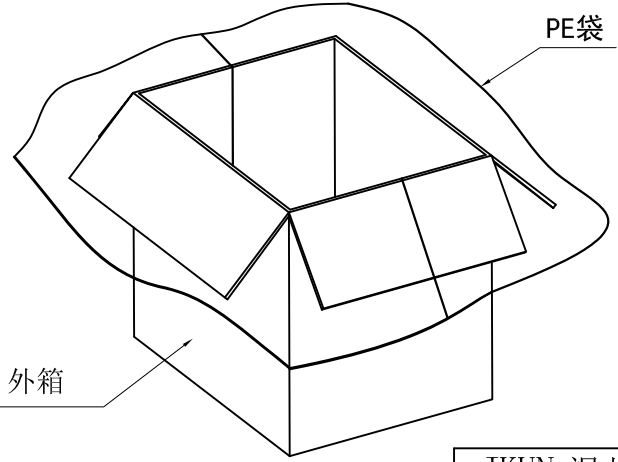


合格证

DETAIL:B

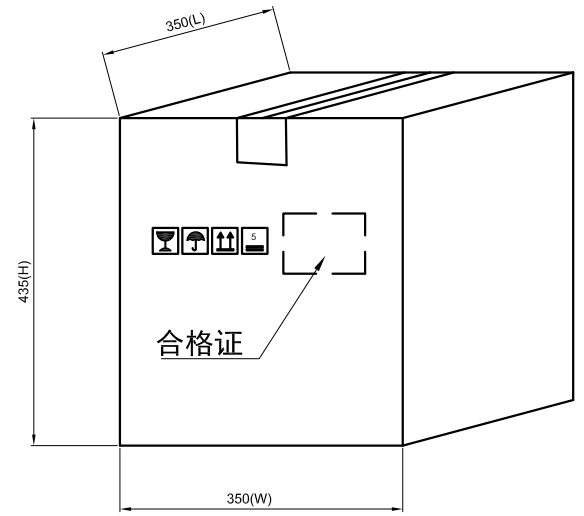


装*盘 (参考列表一)



PE袋

外箱



合格证

列表一

Circuits	DIM. D	DIM. E	Q'ty/Reel	Packing (Reel/Caton)
02~03 PIN	-	16	700PCS	20/Reel
04~06 PIN	-	24	700PCS	15/Reel

包装说明:

- 把成品包入卷盘中, 每盘装700PCS, 卷盘上贴上合格证, 将装好产品的卷盘放进外箱中, 外箱内先套一个大PE袋, 外箱上贴贴上合格证。
- 所有材料有害物控制需符合RoHS标准。

JKUN 温州健坤接插件有限公司 WENZHOU JKUN CONNECTOR CO., LTD.			TITLE: -	
X.± 0.5	X.±*	USE: MANUFACTURE	PART NO.: A1506AWW 包装规范	
.X± 0.3	.X±*	APPD: 刘振岭	DWG NO.: JKUN/GCBZ-0815	
.XX±0.25	.XX±*	CHKD: 王亮	SCALE 1 : 1	
--	--	DR: 蒋建银	SHEET 1 / 1	
UNITS: mm				