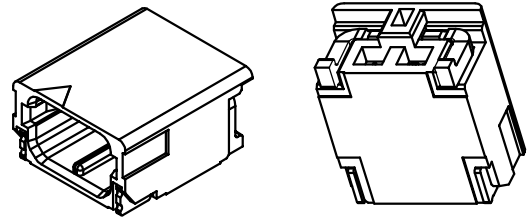


REV	DESIGN	DATE
A0	-	2018.10.26
-	-	-



主要技术参数 Main Specifications

- 线 数 (Poles): 02
- 接触电阻 (Contact resistance): $\leq 10m\Omega$
- 绝缘电阻 (Insulation resistance): $\geq 1000M\Omega$
- 额定电压 (Rated voltage): 350V AC DC
- 额定电流 (Rated current): 4.0A AC DC
- 耐 电压 (Withstand Voltage): 1700V AC/minute
- 温度范围 (Temperature Range): $-25^{\circ}C \sim +85^{\circ}C$

- 有标示 ▼ 的为QC及IPQC之检验重点
- 有标示 [XX] 的为变更处记号
- 材料有害物质控制需符合RoSH标准。

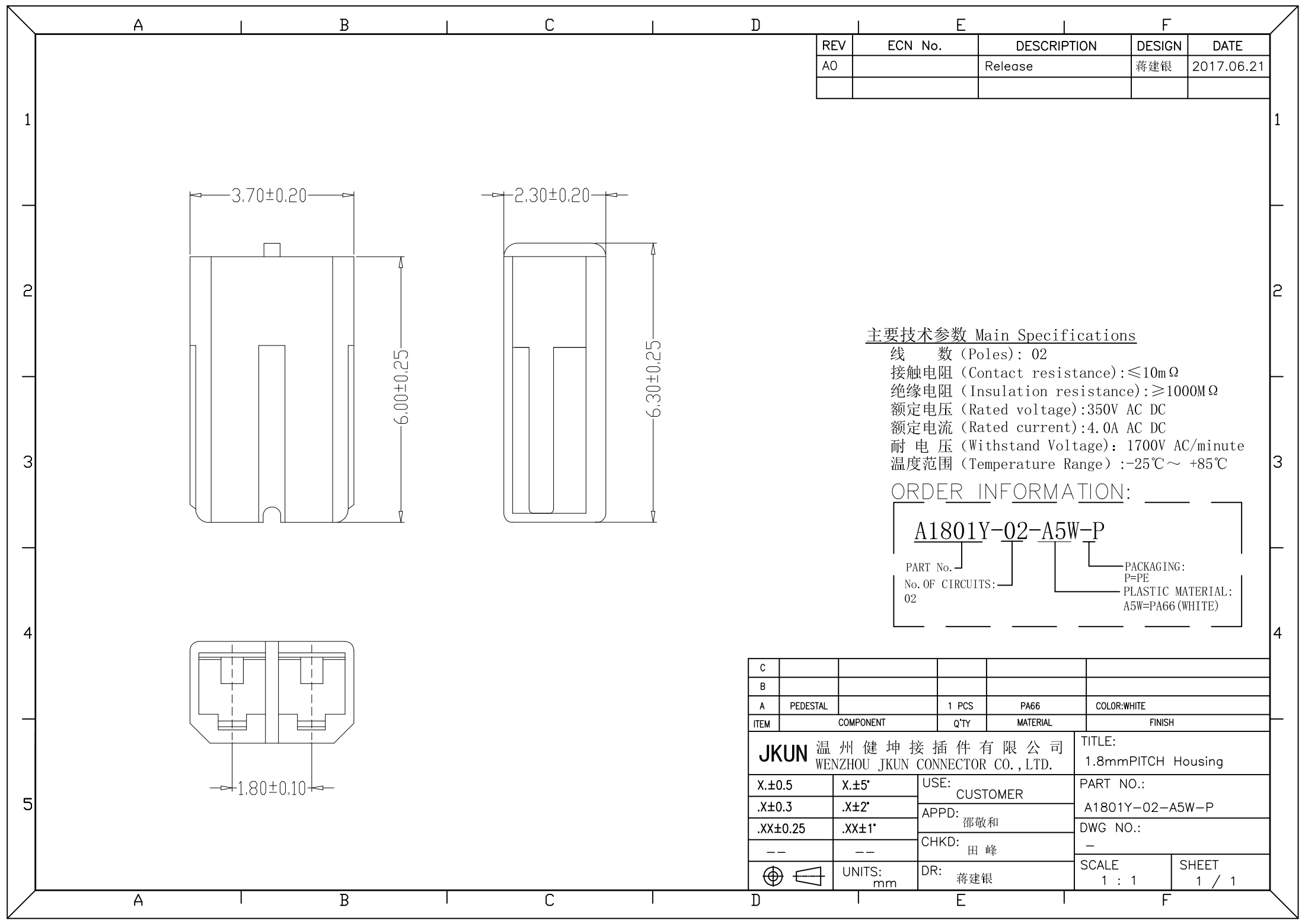
ORDER INFORMATION:

A1801AWR-02-F4MA1-R		PACKAGING: R=REEL
PART No.:		Metal code: 1=PhosphorBronze
Number of electrodes: 02		PLATING: A=Sn
PLASTIC MATERIAL: F4M=LCP(BEGIN)		

Board Layout

ITEM	COMPONENT	Q'TY	MATERIAL	FINISH
C	SOLDER TAB	2 PCS	PhosphorBronze	Sn-plated
B	CONTACT	2 PCS	PhosphorBronze	Sn-plated
A	HOUSING	1 PCS	LCP	UL 94V-0, COLOR:BEGIN

JKUN 温州健坤接插件有限公司 WENZHOU JKUN CONNECTOR CO., LTD.			TITLE: A1801AWR 1.80mmPITCH 90°WAFER SMT TYPE		
X.±0.5	X.±5'	USE: CUSTOMER	PART NO.: A1801AWR-02-F4MA1-R		
.X±0.3	.X±2'				
.XX±0.25	.XX±1'	APPD: 邵敬和	DWG NO.: JKUN-GCCP-0789		
--	--	CHKD: 田峰			
⊕	◁	UNITS: mm	DR: 蒋建银	SCALE 1 : 1	SHEET 1 / 1



REV	ECN No.	DESCRIPTION	DESIGN	DATE
A0		Release	蒋建银	2017.06.21

主要技术参数 Main Specifications

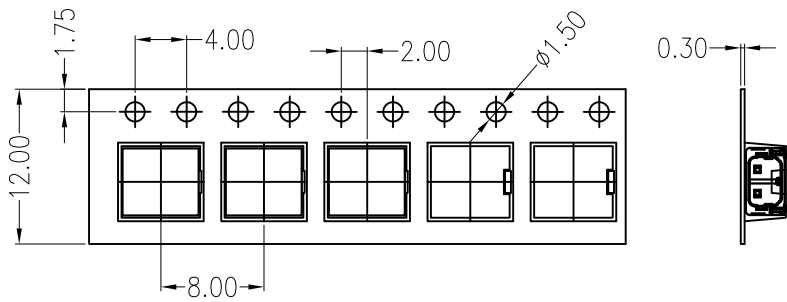
线 数 (Poles): 02
 接触电阻 (Contact resistance): $\leq 10m\Omega$
 绝缘电阻 (Insulation resistance): $\geq 1000M\Omega$
 额定电压 (Rated voltage): 350V AC DC
 额定电流 (Rated current): 4.0A AC DC
 耐 电 压 (Withstand Voltage): 1700V AC/minute
 温度范围 (Temperature Range) : -25°C ~ +85°C

ORDER INFORMATION:

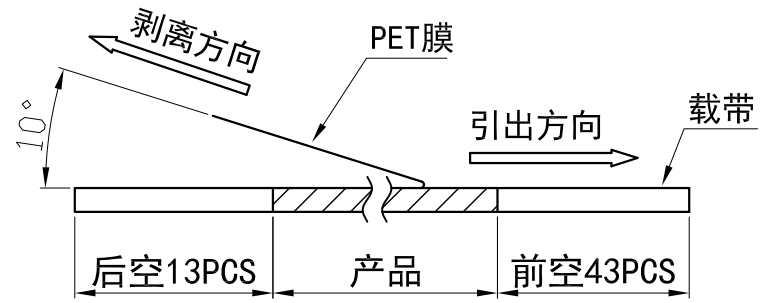
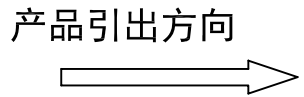
A1801Y-02-A5W-P			
PART No.		PACKAGING:	
No. OF CIRCUITS:	02	P=PE	
		PLASTIC MATERIAL:	A5W=PA66 (WHITE)

ITEM	COMPONENT	Q'TY	MATERIAL	FINISH
C				
B				
A	PEDESTAL	1 PCS	PA66	COLOR:WHITE
JKUN 温州健坤接插件有限公司 WENZHOU JKUN CONNECTOR CO., LTD.		TITLE: 1.8mmPITCH Housing		
X.±0.5	X.±5'	USE:	PART NO.:	
.X±0.3	.X±2'	APPD:	A1801Y-02-A5W-P	
.XX±0.25	.XX±1'	CHKD:	DWG NO.:	
--	--	DR:	-	
⊕	UNITS: mm	蒋建银	SCALE	SHEET
			1 : 1	1 / 1

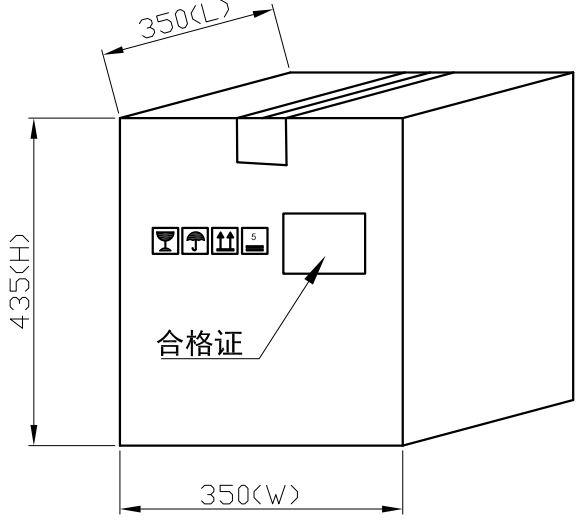
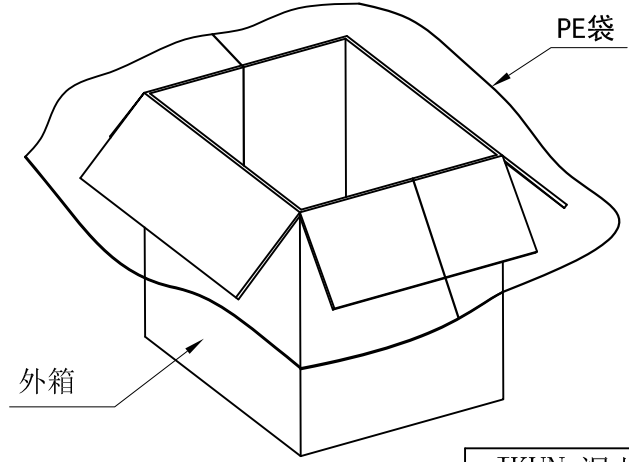
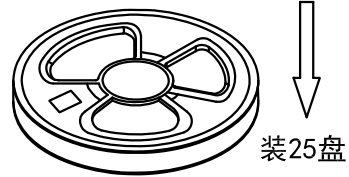
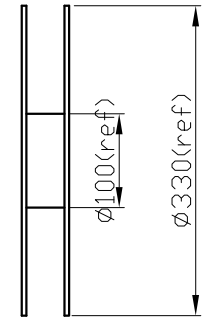
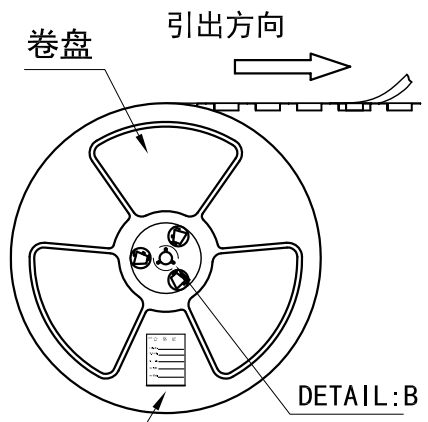
REV	ECN No.	DESCRIPTION	DESIGN	DATE
A		Release	蒋建银	2018.11.29



02 CONTACTS



(PET膜剥离示意图)



- 包装说明:
- 把成品包入卷盘中, 每盘装2500PCS, 卷盘上贴上合格证, 将装好产品的卷盘放进外箱中, 外箱内先套一个大PE袋, 外箱上贴贴上合格证.
 - 所有材料有害物控制需符合RoHS标准.

列表一

Circuits	DIM. D	DIM. E	Q'ty/Reel	Packing (Reel/Caton)
02 PIN	-	12	2500PCS	25/Reel

JKUN 温州健坤接插件有限公司 WENZHOU JKUN CONNECTOR CO., LTD.			TITLE: -	
X.± 0.5	X.±*	USE: MANUFACTURE	PART NO.: A1801AWR-02包装规范	
.X± 0.3	.X±*	APPD: 刘振岭	DWG NO.: JKUN/GCBZ-0789	
.XX±0.25	.XX±*	CHKD: 王亮	SCALE 1 : 1	
--	--	DR: 蒋建银	SHEET 1 / 1	
UNITS: mm				