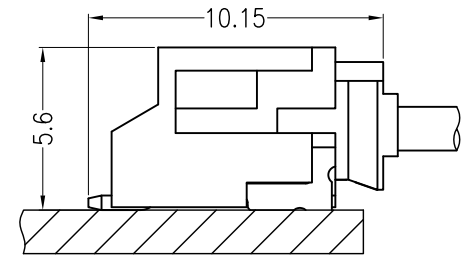
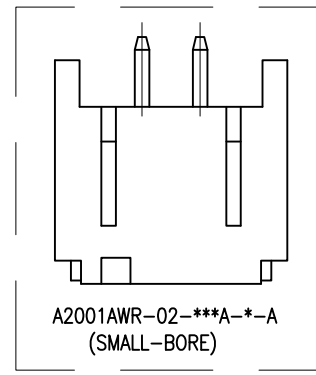
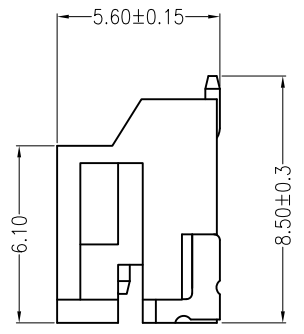
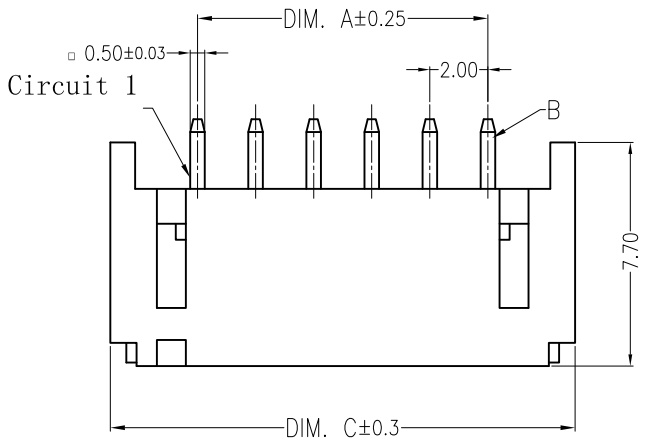
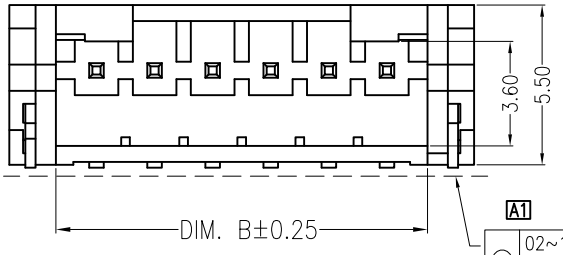


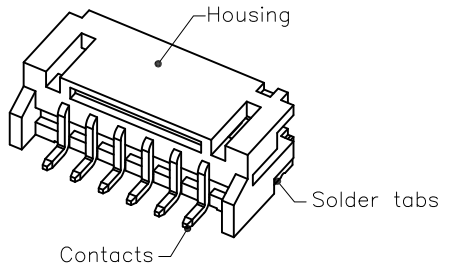
REV	DESCRIPTION	DESIGN	DATE
A0	NEW RELEASE	Wudanping	2016/04/10
A1	Adjust flatness	Jiangjiayin	2020/06/18



Assembly Layout



A1	02~11	0.10	MAX
	12~16	0.12	MAX

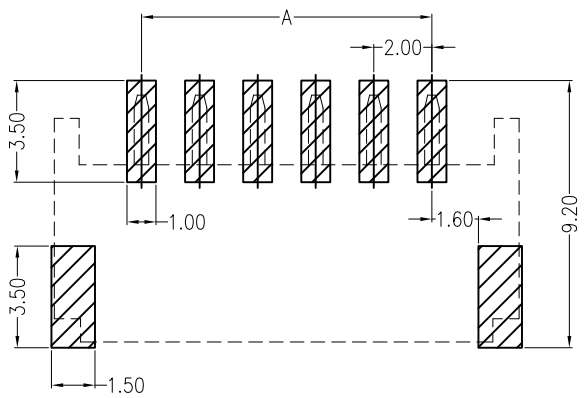
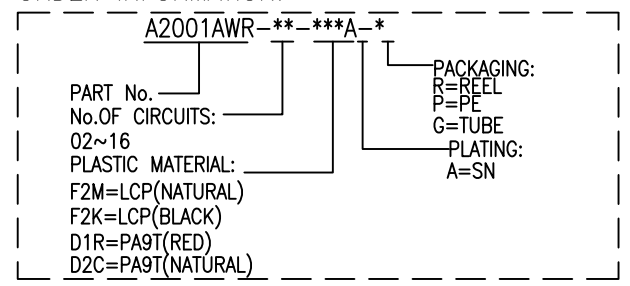


3D VIEWS

Specifications:

- Contact resistance: ≤20mΩ
- Insulation resistance: ≥1000MΩ
- Rated voltage: 250V AC DC
- Rated current: 2.0A AC DC
- Withstand voltage: 1000V AC/minute
- Temperature range: -25°C ~ +105°C
- Housing: LCP/PA9T, UL94V-0 (Natural, Black, Red)
- Contacts: Brass/Sn
- Solder tabs: Brass/Sn

ORDER INFORMATION:



SUGGESTED PCB LAYOUT

Circuits	Dimensions (mm)		
	DIM. A	DIM. B	DIM. C
02	2.00	4.75	8.00
03	4.00	6.75	10.00
04	6.00	8.75	12.00
05	8.00	10.75	14.00
06	10.00	12.75	16.00
07	12.00	14.75	18.00
08	14.00	16.75	20.00
09	16.00	18.75	22.00
10	18.00	20.75	24.00
11	20.00	22.75	26.00
12	22.00	24.75	28.00
13	24.00	26.75	30.00
14	26.00	28.75	32.00
15	28.00	30.75	34.00
16	30.00	32.75	36.00

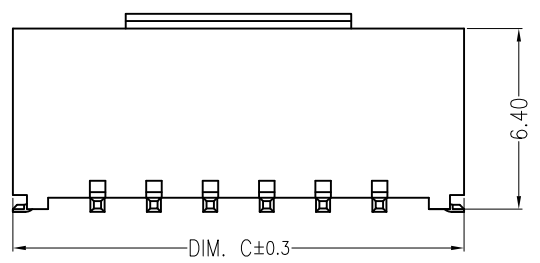
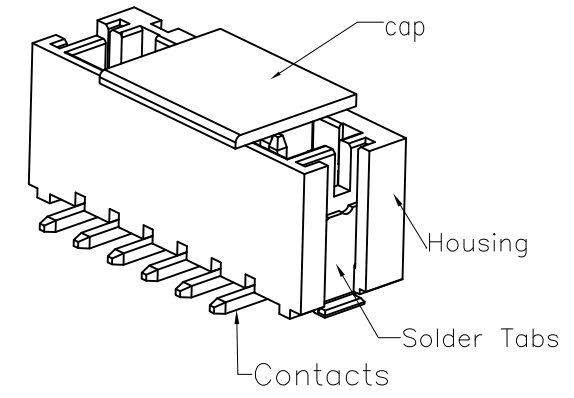
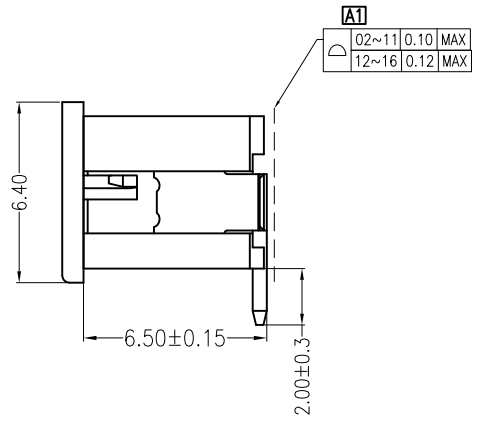
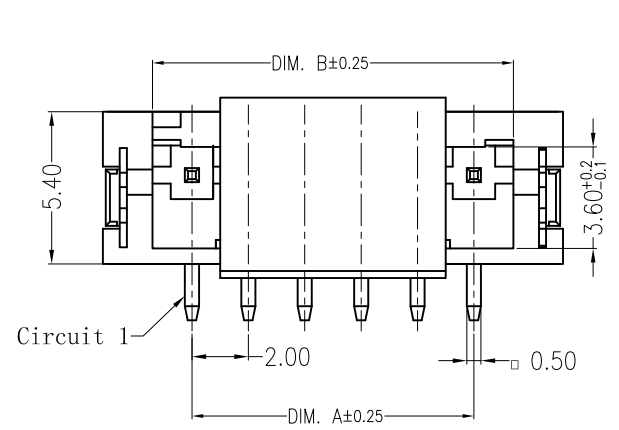
**JKUN** 温州健坤接插件有限公司  
WENZHOU JKUN CONNECTOR CO.,LTD.

TITLE:  
2.00mm PITCH 90° WAFER SMT TYPE

GENERAL TOLERANCE		USE:
X. ±0.50	X. ±5°	CUSTOMER
X.X ±0.30	X.X ±2°	APPD: Shaojinghe
X.XX ±0.20	X.XX ±1°	CHKD: Zenglingqing
UNITS: mm		DR: Jiangjiayin

PART NO.:	
A2001AWR-**-***A-**-*	
DWG NO.:	
JKUN/GCKH-0525	
SCALE	SHEET
1 : 1	1 / 1

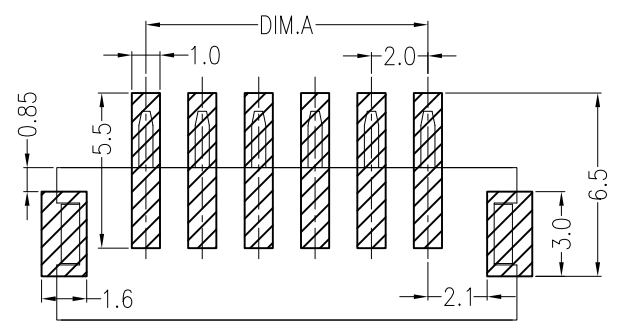
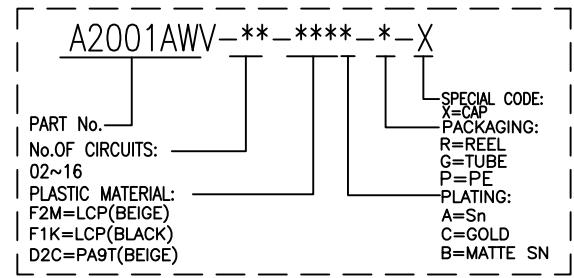
REV	DESCRIPTION	DESIGN	DATE
A0	NEW RELEASE	Wudanping	2016.05.07
A1	Adjust flatness	Jiangjianyin	2020/06/18



**Specifications:**  
 Contact resistance: ≤20mΩ  
 Insulation resistance: ≥1000MΩ  
 Rated voltage: 250V AC DC  
 Rated current: 2.0A AC DC  
 Withstand Voltage: 1000V AC/minute  
 Temperature Range: -25℃ ~ +105℃  
 Housing: LCP/PA9T UL94V-0 (Nature/Black)  
 Cap: LCP UL94V-0, Nature  
 Contacts: Brass/(Sn or Matte Sn or Gold)  
 Solder Tabs: Phosphor Bronze/(Sn or Matte Sn)

Circuits	Dimensions (mm)		
	DIM. A	DIM. B	DIM. C
02	2.00	4.80	8.00
03	4.00	6.80	10.00
04	6.00	8.80	12.00
05	8.00	10.80	14.00
06	10.00	12.80	16.00
07	12.00	14.80	18.00
08	14.00	16.80	20.00
09	16.00	18.80	22.00
10	18.00	20.80	24.00
11	20.00	22.80	26.00
12	22.00	24.80	28.00
13	24.00	26.80	30.00
14	26.00	28.80	32.00
15	28.00	30.80	34.00
16	30.00	32.80	36.00

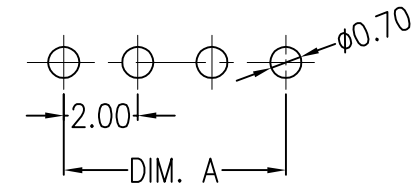
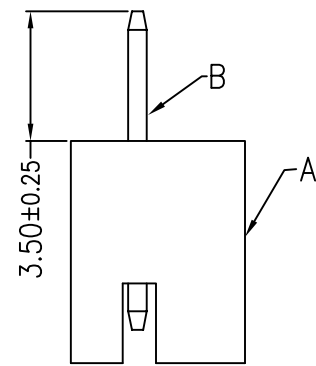
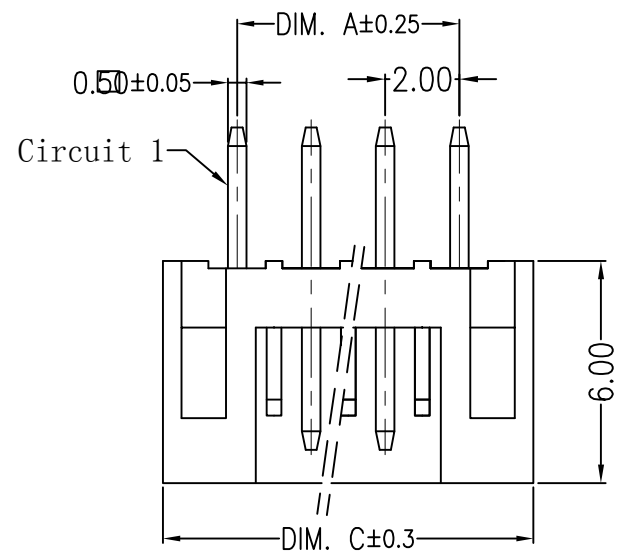
**ORDER INFORMATION:**



SUGGESTED PCB LAYOUT

<b>JKUN</b> 温州健坤接插件有限公司 WENZHOU JKUN CONNECTOR CO.,LTD.		TITLE: 2.0mmPITCH 180°WAFER SMT TYPE	
		PART NO.: A2001AWV-**-****-*X	
GENERAL TOLERANCE		USE: CUSTOMER	
X. ±0.50	X. ±5°	APPD: Shaojinghe	
X.X ±0.30	X.X ±2°	CHKD: Zenglingqing	
X.XX ±0.20	X.XX ±1°	DR: Jiangjianyin	
UNITS: mm		SCALE 1 : 1	SHEET 1 / 1

REV	ECN No.	DESCRIPTION	DESIGN	DATE
A0	-	NEW RELEASE	吴丹平	2017.05.29
-	-	-	-	-

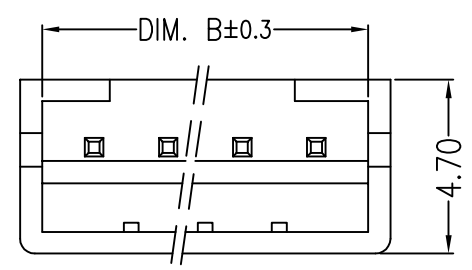
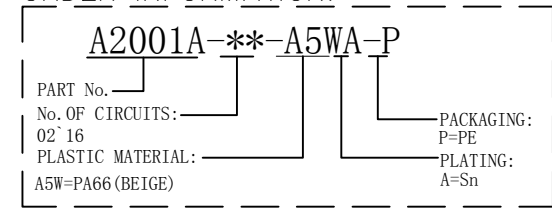


SUGGESTED PCB LAYOUT  
(COMPONENT SIDE)

主要技术参数 Main Specifications

- 线数 (Poles): 02 to 16
- 接触电阻 (Contact resistance):  $\leq 20m\Omega$
- 绝缘电阻 (Insulation resistance):  $\geq 1000M\Omega$
- 额定电压 (Rated voltage): 250V AC DC
- 额定电流 (Rated current): 2.0A AC DC
- 耐电压 (Withstand Voltage): 1000V AC/minute
- 温度范围 (Temperature Range):  $-25^{\circ}C \sim +85^{\circ}C$

ORDER INFORMATION:



Circuits	Dimensions (mm)		
	DIM. A	DIM. B	DIM. C
02	2.00	4.80	6.00
03	4.00	6.80	8.00
04	6.00	8.80	10.00
05	8.00	10.80	12.00
06	10.00	12.80	14.00
07	12.00	14.80	16.00
08	14.00	16.80	18.00
09	16.00	18.80	20.00
10	18.00	20.80	22.00
11	20.00	22.80	24.00
12	22.00	24.80	26.00
13	24.00	26.80	28.00
14	26.00	28.80	30.00
15	28.00	30.80	32.00

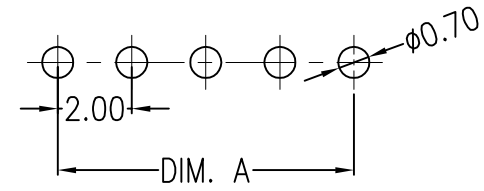
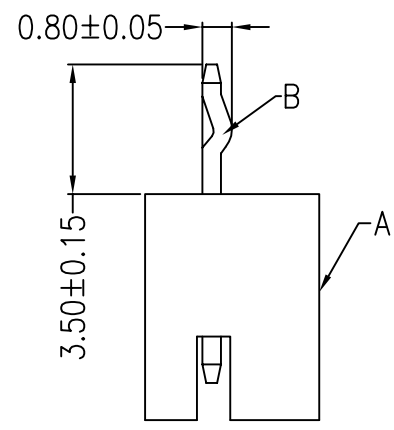
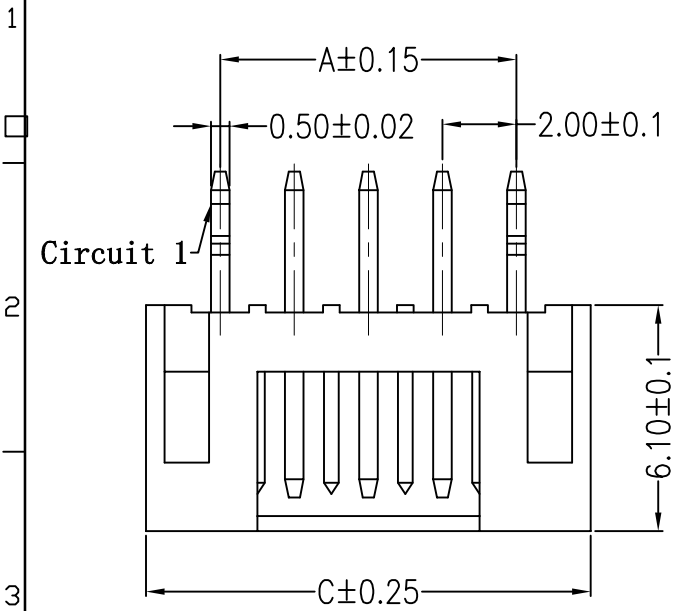
ITEM	COMPONENT	Q'TY	MATERIAL	FINISH
C				
B	CONTACT	2~16 PCS	Brass	Sn-plated
A	HOUSING	1 PCS	PA66	COLOR:BEIGE

X.±0.5	X.±5'	USE: CUSTOMER	TITLE: 2.0mmPITCH 180°WAFER DIP TYPE	
.X±0.3	.X±2'			PART NO.:
.XX±0.25	.XX±1'			A2001A-**-A5WA-P
--	--			DWG NO.:
⊕	⊕	CHKD: 田峰	JKUN/GCCP-0522	
	UNITS: mm	DR: 吴丹平	SCALE: 1 : 1	
			SHEET: 1 / 1	

**JKUN** 温州健坤接插件有限公司  
WENZHOU JKUN CONNECTOR CO., LTD.

REV	ECN No.	DESCRIPTION	DESIGN	DATE
A0	-	NEW RELEASE	吴丹平	2017.05.29
-	-	-	-	-



SUGGESTED PCB LAYOUT  
(COMPONENT SIDE)

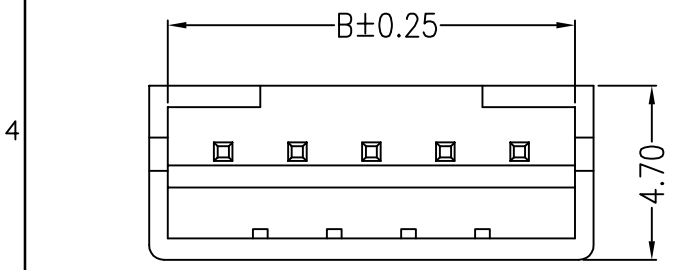
**主要技术参数 Main Specifications**

- 线数 (Poles): 02 to 16
- 接触电阻 (Contact resistance):  $\leq 20m\Omega$
- 绝缘电阻 (Insulation resistance):  $\geq 1000M\Omega$
- 额定电压 (Rated voltage): 250V AC DC
- 额定电流 (Rated current): 2.0A AC DC
- 耐电压 (Withstand Voltage): 1000V AC/minute
- 温度范围 (Temperature Range):  $-25^{\circ}C \sim +85^{\circ}C$

ORDER INFORMATION:

**A2001A-\*\*-A5WA-P-Q**

PART No.:		SPECIAL CODE:	Q=JK
No. OF CIRCUITS:	02-16	PACKAGING:	P=PE
PLASTIC MATERIAL:	A5W=PA66 (BEIGE)	PLATING:	A=Sn



Circuits	Dimensions (mm)		
	DIM. A	DIM. B	DIM. C
02	2.00	4.80	6.00
03	4.00	6.80	8.00
04	6.00	8.80	10.00
05	8.00	10.80	12.00
06	10.00	12.80	14.00
07	12.00	14.80	16.00
08	14.00	16.80	18.00
09	16.00	18.80	20.00
10	18.00	20.80	22.00
11	20.00	22.80	24.00
12	22.00	24.80	26.00
13	24.00	26.80	28.00
14	26.00	28.80	30.00
15	28.00	30.80	32.00

ITEM	COMPONENT	Q'TY	MATERIAL	FINISH
B	CONTACT	2~16 PCS	Brass	Sn-plated
A	HOUSING	1 PCS	PA66	COLOR:BEIGE

**JKUN 温州健坤接插件有限公司**  
**WENZHOU JKUN CONNECTOR CO., LTD.**

TITLE: 2.0mmPITCH 180°WAFER DIP TYPE

PART NO.: A2001A-\*\*-A5WA-P-Q

DWG NO.: JKUN/GCCP-0522

SCALE: 1 : 1

SHEET: 1 / 1

USE: CUSTOMER

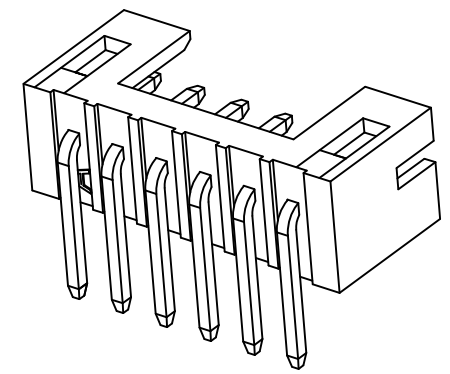
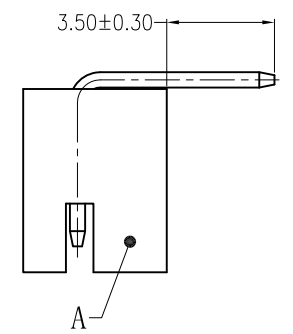
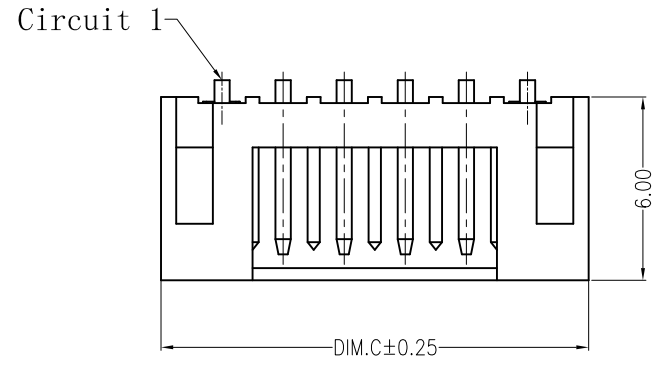
APPD: 邵敬和

CHKD: 田峰

DR: 吴丹平

UNITS: mm

REV	ECN No.	DESCRIPTION	DESIGN	DATE
A	-	NEW RELEASE	吴丹平	2017.03.07



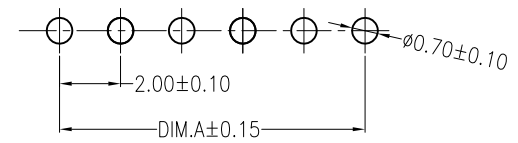
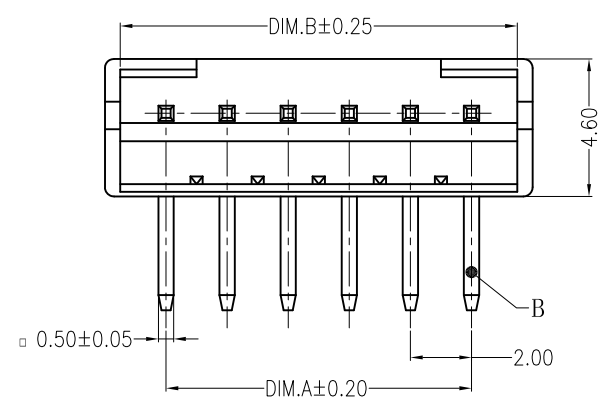
**SPECIFICATION**

- 1 Contact resistance:  $\leq 10m\Omega$
- 2 Insulation resistance:  $\geq 1000M\Omega$
- 3 Rated voltage: 100 V AC DC
- 4 Rated current: 2.0 A AC DC
- 5 Withstand Voltage: 800V AC/minute
- 6 Temperature Range:  $-25^{\circ}C \sim +85^{\circ}C$

**ORDER INFORMATION:**

**A2001AW-\*\*-A5WA-P**

PART No.			
No. OF CIRCUITS:			PACKAGING: P=PE
02~16			PLATING: A=Sn
PLASTIC MATERIAL:			
A5W=PA66 (WHITE)			



SUGGESTED PCB LAYOUT  
(COMPONENT SIDE)

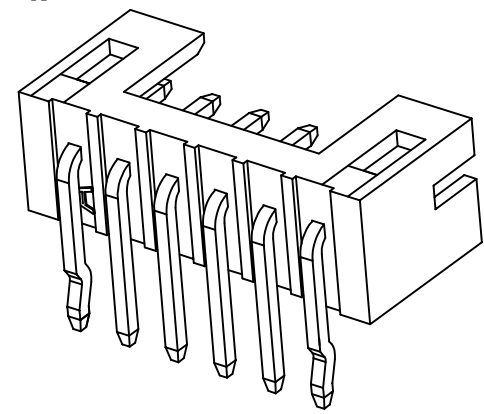
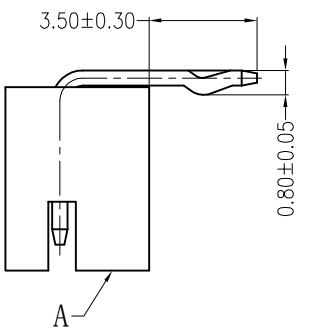
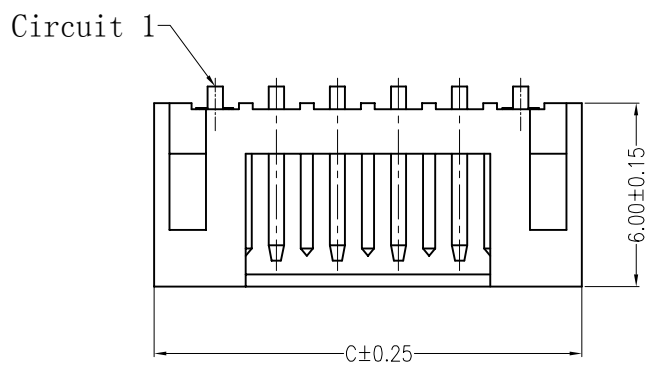
Circuits	Dimensions (mm)		
	DIM. A	DIM. B	DIM. C
02	2.00	5.00	6.00
03	4.00	7.00	8.00
04	6.00	9.00	10.00
05	8.00	11.00	12.00
06	10.00	13.00	14.00
07	12.00	15.00	16.00
08	14.00	17.00	18.00
09	16.00	19.00	20.00
10	18.00	21.00	22.00
11	20.00	23.00	24.00
12	22.00	25.00	26.00
13	24.00	27.00	28.00
14	26.00	29.00	30.00
15	28.00	31.00	32.00
16	30.00	33.00	34.00

ITEM	COMPONENT	Q'TY	MATERIAL	FINISH
C				
B	CONTACT	2~16 PCS	Brass	Tin-plated
A	HOUSING	1 PCS	PA66	COLOR:WHITE

JKUN 温州健坤接插件有限公司 WENZHOU JKUN CONNECTOR CO., LTD.		TITLE: 2.0mmPITCH 90°WAFER	
.X±0.35	X.±	USE: CUSTOMER	PART NO.: A2001AW-**-A5WA-P
.XX±0.25	.X±	APPD: 邵敬和	DWG NO.: JKUN/GCCP-0523
.XXX±0.15	.XX±	CHKD: 田峰	SCALE 1 : 1
--	--	DR: 吴丹平	SHEET 1 / 1

REV	ECN No.	DESCRIPTION	DESIGN	DATE
A	-	NEW RELEASE	吴丹平	2017.03.07



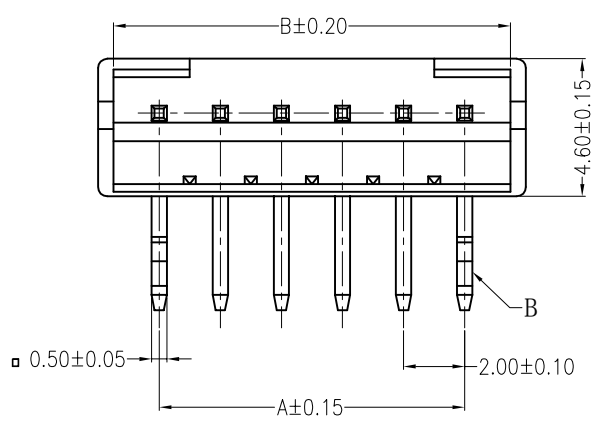
**主要技术参数 Main Specifications**

线 数 (Poles): 02 to 16  
 接触电阻 (Contact resistance):  $\leq 20m\Omega$   
 绝缘电阻 (Insulation resistance):  $\geq 1000M\Omega$   
 额定电压 (Rated voltage): 100V AC DC  
 额定电流 (Rated current): 2.0A AC DC  
 耐 电压 (Withstand Voltage): 1000V AC/minute  
 温度范围 (Temperature Range):  $-25^{\circ}C \sim +85^{\circ}C$

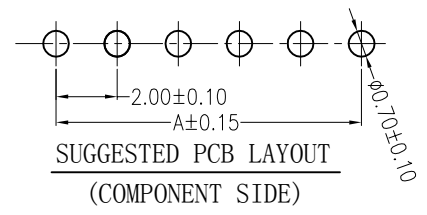
**ORDER INFORMATION:**

**A2001AW-\*\*-A5WA-P-Q**

PART No.		SPECIAL CODE:	
No. OF CIRCUITS:	02~16	Q=JTK	
PLASTIC MATERIAL:	A5W=PA66 (WHITE)	PACKAGING:	P=PE
		PLATING:	A=Sn



Circuits	Dimensions (mm)		
	A	B	C
02	2.00	5.00	6.00
03	4.00	7.00	8.00
04	6.00	9.00	10.00
05	8.00	11.00	12.00
06	10.00	13.00	14.00
07	12.00	15.00	16.00
08	14.00	17.00	18.00
09	16.00	19.00	20.00
10	18.00	21.00	22.00
11	20.00	22.00	24.00
12	22.00	25.00	26.00
13	24.00	27.00	28.00
14	26.00	29.00	30.00
15	28.00	31.00	32.00
16	30.00	33.00	34.00



ITEM	COMPONENT	Q'TY	MATERIAL	FINISH
C				
B	CONTACT	2~16 PCS	Brass	Tin-plated
A	HOUSING	1 PCS	PA66	COLOR:WHITE

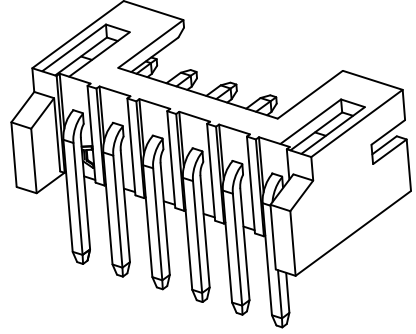
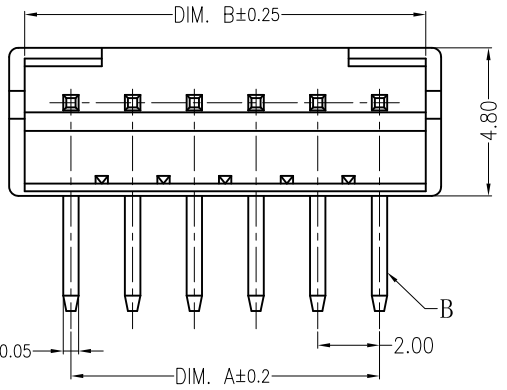
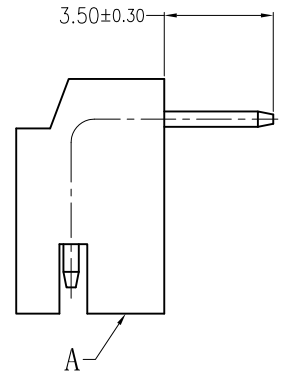
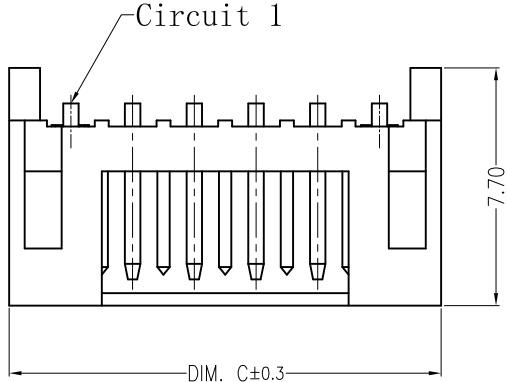
  

<b>JKUN 温州健坤接插件有限公司</b> <b>WENZHOU JKUN CONNECTOR CO., LTD.</b>		<b>TITLE:</b> 2.0mm PITCH 90° WAFER	
.X±0.35	.X±	USE:	PART NO.:
.XX±0.25	.X±	CUSTOMER	A2001AW-**-A5WA-P-Q
.XXX±0.15	.XX±	APPD: 邵敬和	DWG NO.:
--	--	CHKD: 田峰	JKUN/GCCP-0523
UNITS: mm		DR: 吴丹平	SCALE
			1 : 1
			SHEET
			1 / 1

A | B | C | D

E | F

REV	ECN No.	DESCRIPTION	DESIGN	DATE
AO	-	NEW RELEASE	吴丹平	2017.05.29
-	-	-	-	-



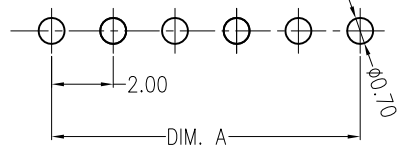
主要技术参数 Main Specifications

线 数 (Poles): 02 to 16  
 接触电阻 (Contact resistance): ≤20mΩ  
 绝缘电阻 (Insulation resistance): ≥1000MΩ  
 额定电压 (Rated voltage): 100V AC DC  
 额定电流 (Rated current): 2.0A AC DC  
 耐电压 (Withstand Voltage): 1000V AC/minute  
 温度范围 (Temperature Range): -25°C ~ +85°C

ORDER INFORMATION:

A2001AWD-\*\*-A5WA-P

PART No.			
No. OF CIRCUITS:	02~16	PACKAGING:	P=PE
PLASTIC MATERIAL:	A5W=PA66 (WHITE)	PLATING:	A=Sn



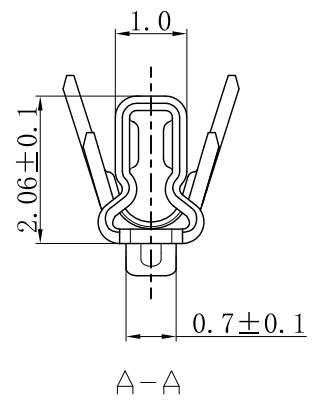
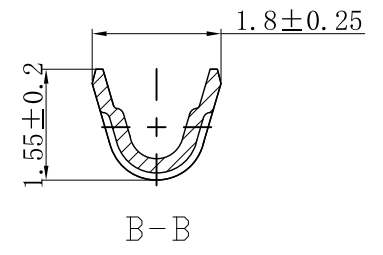
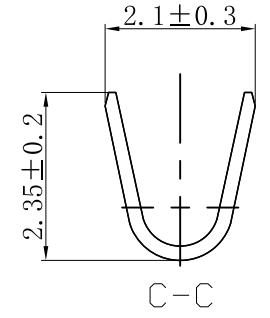
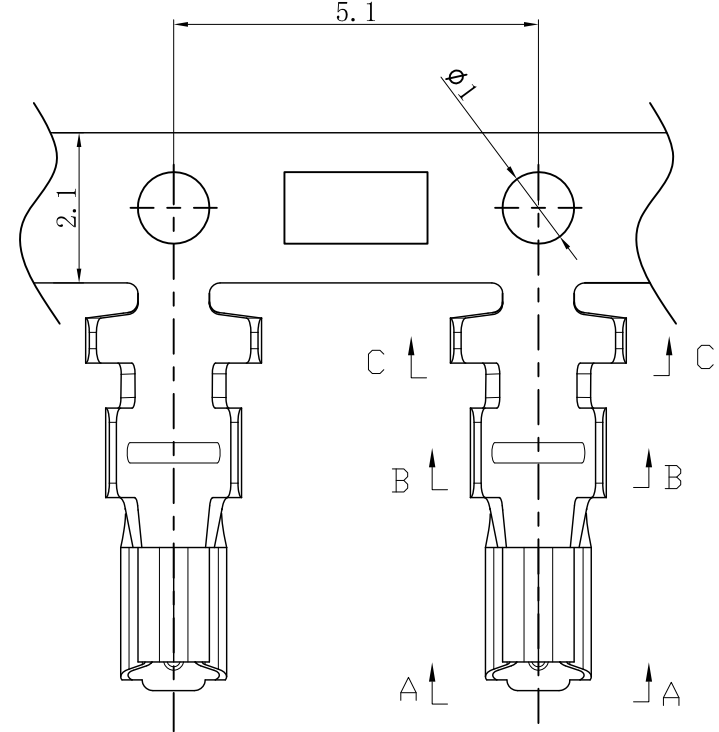
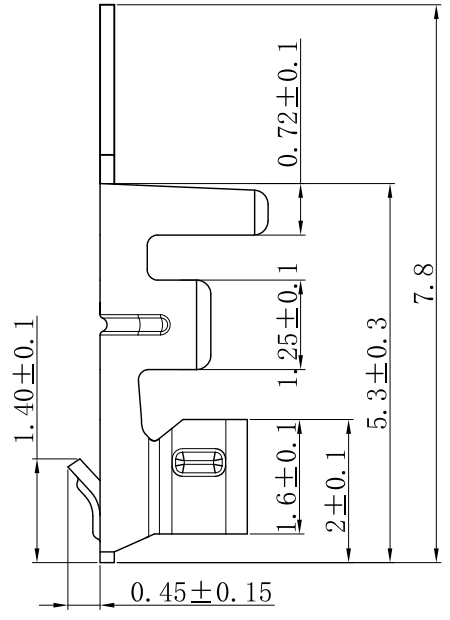
SUGGESTED PCB LAYOUT  
(COMPONENT SIDE)

Circuits	Dimensions (mm)		
	DIM. A	DIM. B	DIM. C
02	2.00	5.00	6.00
03	4.00	7.00	8.00
04	6.00	9.00	10.00
05	8.00	11.00	12.00
06	10.00	13.00	14.00
07	12.00	15.00	16.00
08	14.00	17.00	18.00
09	16.00	19.00	20.00
10	18.00	21.00	22.00
11	20.00	22.00	24.00
12	22.00	25.00	26.00
13	24.00	27.00	28.00
14	26.00	29.00	30.00
15	28.00	31.00	32.00
16	30.00	33.00	34.00

C				
B	CONTACT		2~16 PCS	Brass
A	HOUSING		1 PCS	PA66
ITEM	COMPONENT	Q'TY	MATERIAL	FINISH
<b>JKUN 温州健坤接插件有限公司</b> <b>WENZHOU JKUN CONNECTOR CO., LTD.</b>				TITLE: 2.0mmPITCH 90°WAFER DIP TYPE
X±0.5	X±5'	USE:	CUSTOMER	
.X±0.3	.X±2'	APPD:	邵敬和	
.XX±0.25	.XX±1'	CHKD:	田峰	
--	--	DR:	吴丹平	
UNITS: mm		SCALE	SHEET	
		1 : 1	1 / 1	

A | B | C | D | E | F

REV	ECN No.	DESCRIPTION	DESIGN	DATE
A0		Release	蒋建银	2018.01.10



Ordering Information & Specification:

Part No	Wire Range	Insulation O.D.	Material	Finish	Qty/Reel
A2001T-10	AWG #24~#32	1.60mm (MAX)	Phosphor bronze	Tin-plated	/
<b>JKUN</b> 温州健坤接插件有限公司 WENZHOU JKUN CONNECTOR CO., LTD.				TITLE:	
X±0.5	X±5'	USE:	CUSTOMER		
.X±0.3	.X±2'	APPD:	邵敬和		
.XX±0.25	.XX±1'	CHKD:	田峰		
--	--	DR:	蒋建银		
UNITS: mm		SCALE	SHEET		
		1 : 1	1 / 1		

A

B

C

D

E

F

A

B

C

D

E

F

1

2

3

4

5

1

2

3

4

5

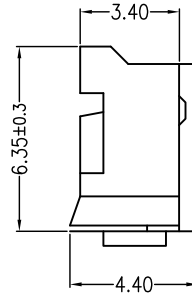
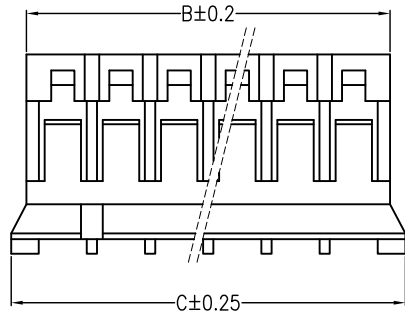


A B C D

E F

REV	ECN No.	DESCRIPTION	DESIGN	DATE
A0		Release	吴丹平	2017.06.21

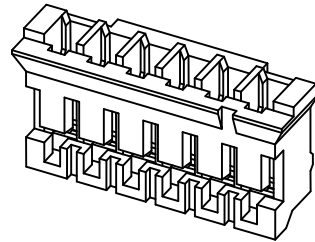
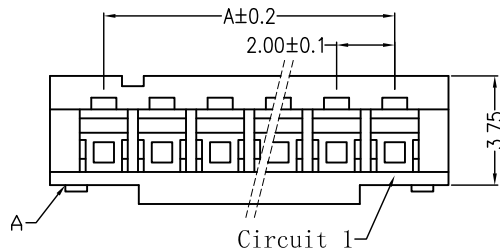
1



Circuits	Dimensions (mm)		
	A	B	C
02	2.00	4.50	5.70
03	4.00	6.50	7.70
04	6.00	8.50	9.70
05	8.00	10.50	11.70
06	10.00	12.50	13.70
07	12.00	14.50	15.70
08	14.00	16.50	17.70
09	16.00	18.50	19.70
10	18.00	20.50	21.70
11	20.00	22.50	23.70
12	22.00	24.50	25.70
13	24.00	26.50	27.70
14	26.00	28.50	29.70
15	28.00	30.50	31.70
16	30.00	32.50	33.70

1

2

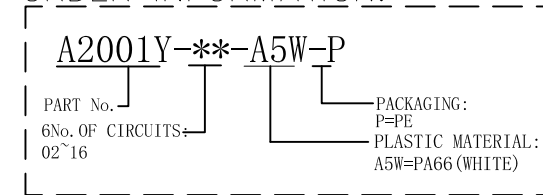


主要技术参数 Main Specifications

线 数 (Poles): 02 to 16  
 接触电阻 (Contact resistance): ≤20mΩ  
 绝缘电阻 (Insulation resistance): ≥1000MΩ  
 额定电压 (Rated voltage): 250V AC DC  
 额定电流 (Rated current): 2.0A AC DC  
 耐 电 压 (Withstand Voltage): 800V AC/minute  
 温度范围 (Temperature Range): -25°C ~ +85°C

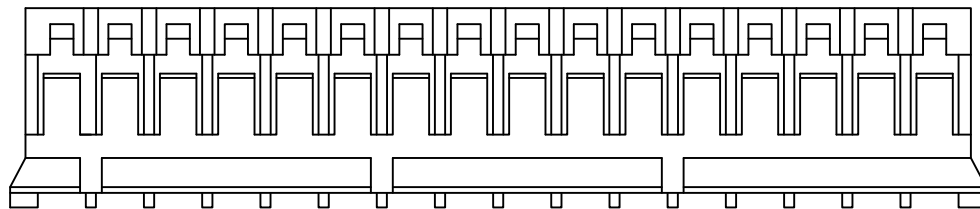
3

ORDER INFORMATION:



4

4



16&15

11&10

6&5

A B C D

E F

C				
B				
A	PEDESTAL	1 PCS	PA66	COLOR:WHITE
ITEM	COMPONENT	Q'TY	MATERIAL	FINISH

**JKUN** 温州健坤接插件有限公司  
 WENZHOU JKUN CONNECTOR CO., LTD.

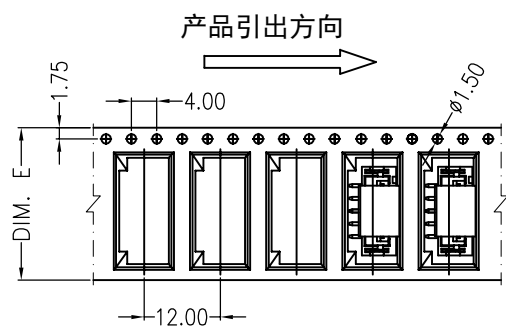
TITLE: A2001Y  
 2.0mmPITCH Housing

X.±0.5	X.±5'	USE: CUSTOMER	PART NO.: A2001Y-**-A5W-P
.X±0.3	.X±2'		
.XX±0.25	.XX±1'	APPD: 邵敬和	DWG NO.: JKUN/GCCP-0527
--	--	CHKD: 田 峰	SCALE 1 : 1
⊕	UNITS: mm	DR: 蒋建银	SHEET 1 / 1

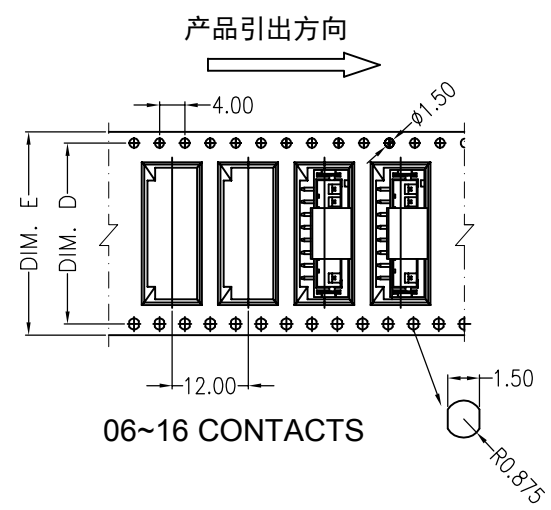
5

5

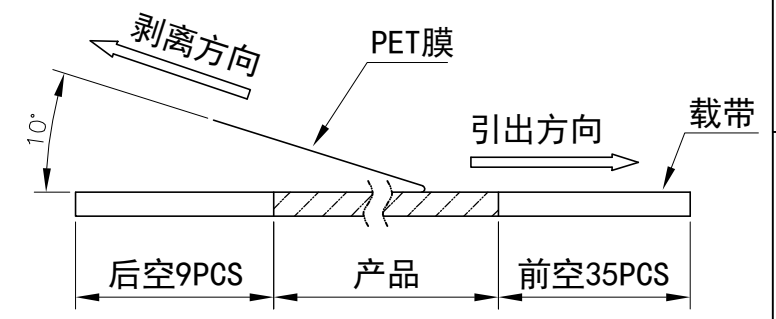
REV	ECN No.	DESCRIPTION	DESIGN	DATE
A		Release	蒋建银	2018.06.22



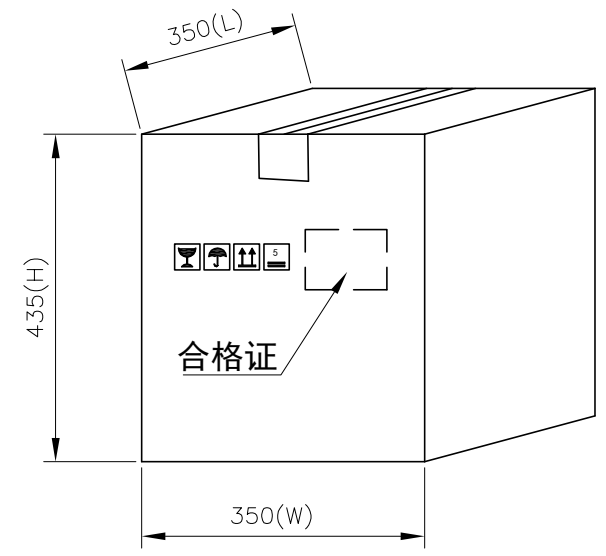
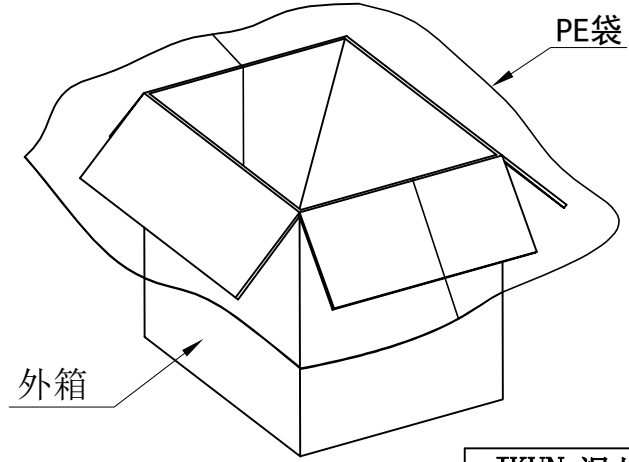
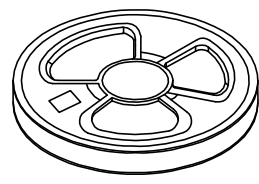
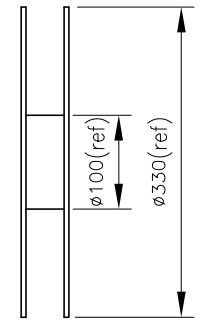
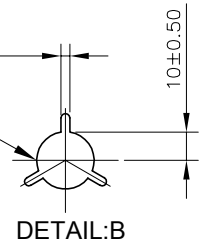
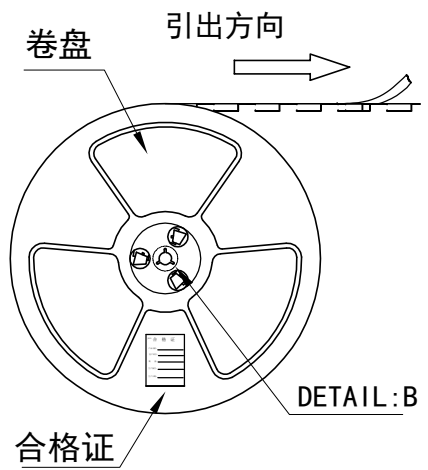
02~05 CONTACTS



06~16 CONTACTS



(PET膜剥离示意图)



列表一

Circuits	DIM. D	DIM. E	Q'ty/Reel	Packing (Reel/Caton)
02PIN	-	16	700PCS	20/Reel
03-05PIN	-	24	700PCS	15/Reel
06-08PIN	28.4	32	700PCS	11/Reel
09-14PIN	40.4	44	700PCS	8/Reel
15-16PIN	52.4	56	700PCS	7/Reel

包装说明:

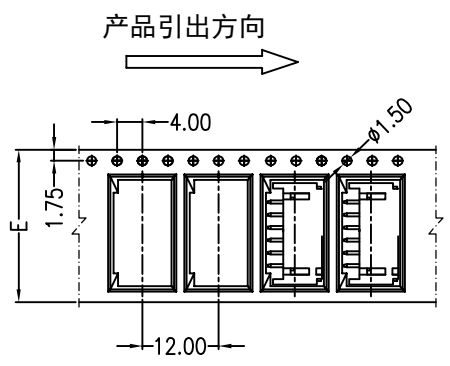
- 把成品包入卷盘中，每盘装700PCS，卷盘上贴上合格证，将装好产品的卷盘放进外箱中，外箱内先套一个大PE袋，外箱上贴贴上合格证。
- 所有材料有害物控制需符合RoHS标准。

JKUN 温州健坤接插件有限公司  
WENZHOU JKUN CONNECTOR CO., LTD.

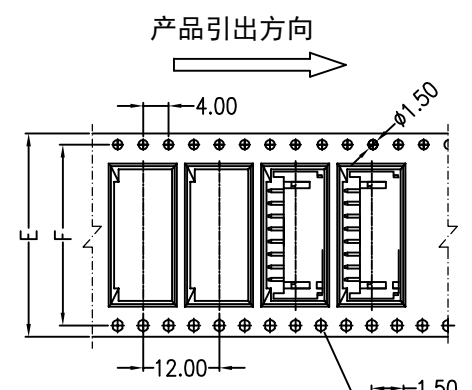
X.± 0.5	X.±'	USE: MANUFACTURE
.X± 0.3	.X±'	APPD: 邵敬和
.XX±0.25	.XX±'	CHKD: 田峰
--	--	DR: 蒋建银
⊕	◁	UNITS: mm

TITLE:	
PART NO.:	A2001AWV卷装规范
DWG NO.:	JKUN/GCBZ-0512
SCALE	SHEET
1 : 1	1 / 1

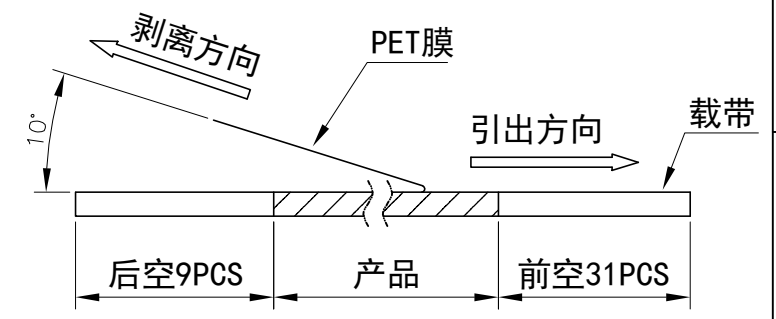
REV	ECN No.	DESCRIPTION	DESIGN	DATE
A		Release	蒋建银	2018.06.22



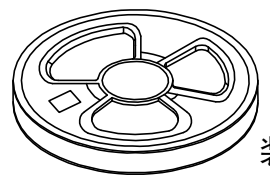
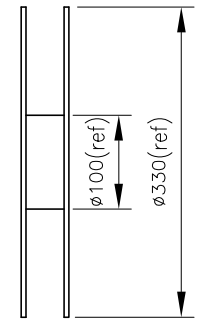
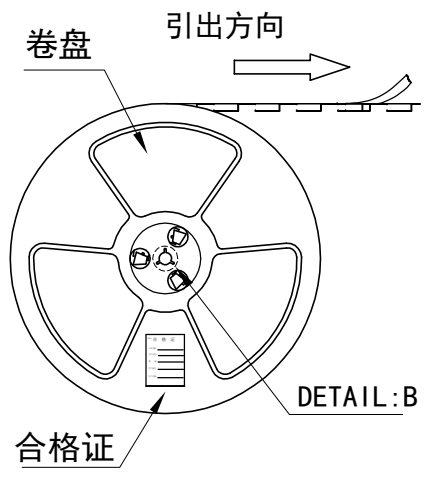
02~06 CONTACTS



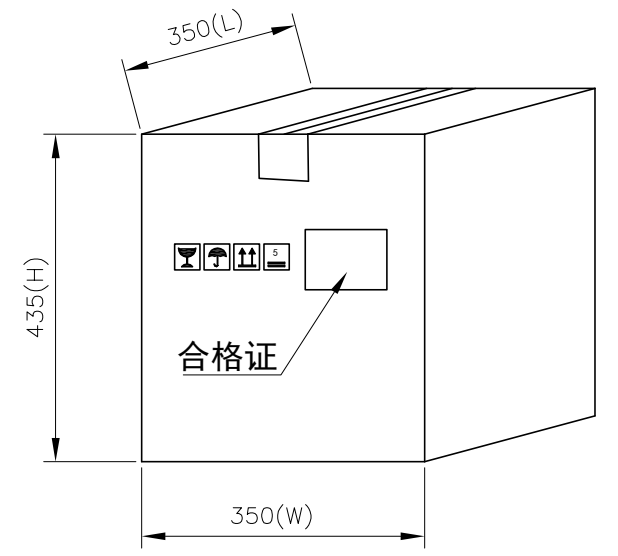
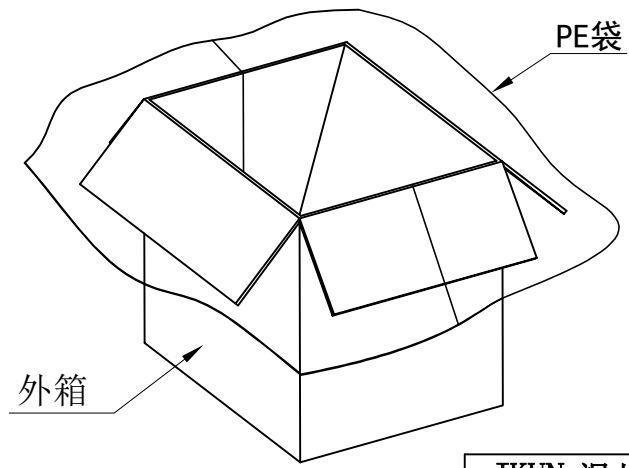
07~16 CONTACTS



(PET膜剥离示意图)



装\*盘(参考列表一)



列表一

Circuits	DIM. D	DIM. E	Q'ty/Reel	Packing (Reel/Caton)
02-03PIN	-	16	1000PCS	20/Reel
04-06PIN	-	24	1000PCS	15/Reel
07-08PIN	28.4	32	1000PCS	11/Reel
09-14PIN	40.4	44	1000PCS	8/Reel
15-16PIN	52.4	56	1000PCS	7/Reel

包装说明:

- 把成品包入卷盘中, 每盘装1000PCS, 卷盘上贴上合格证, 将装好产品的卷盘放进外箱中, 外箱内先套一个大PE袋, 外箱上贴贴上合格证.
- 所有材料有害物控制需符合RoHS标准.

JKUN 温州健坤接插件有限公司 WENZHOU JKUN CONNECTOR CO., LTD.			TITLE:	
X.± 0.5	X.±'	USE:	PART NO.:	
.X± 0.3	.X±'	MANUFACTURE	A2001AWR卷装规范	
.XX±0.25	.XX±'	APPD: 邵敬和	DWG NO.:	
--	--	CHKD: 田峰	JKUN/GCBZ-0512	
⊕	◁	UNITS: mm	DR: 蒋建银	SCALE
				1 : 1
				SHEET
				1 / 1