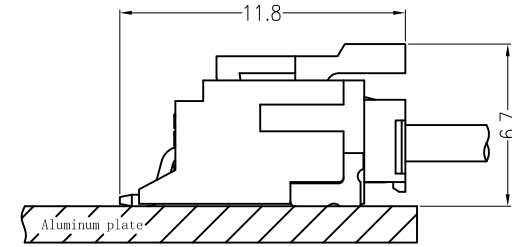
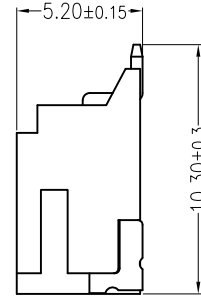
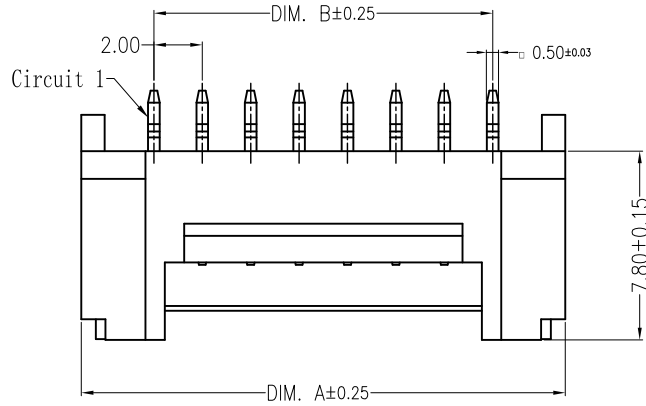
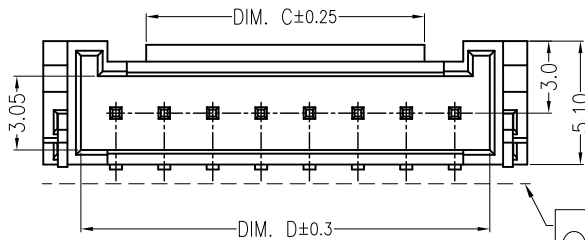


REV	DESCRIPTION	DESIGN	DATE
A0	NEW RELEASE	Wudanping	2016/04/10
A1	Change the size	Jiangjiayin	2018/04/19
A2	Adjust flatness	Jiangjiayin	2020/06/18

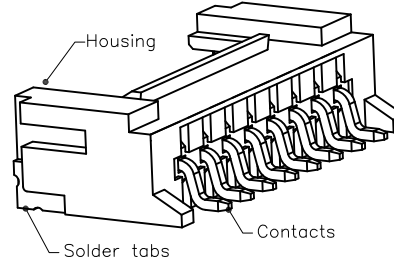


Assembly Layout



A2			
Ø	02~11	0.10	MAX
	12~16	0.12	MAX

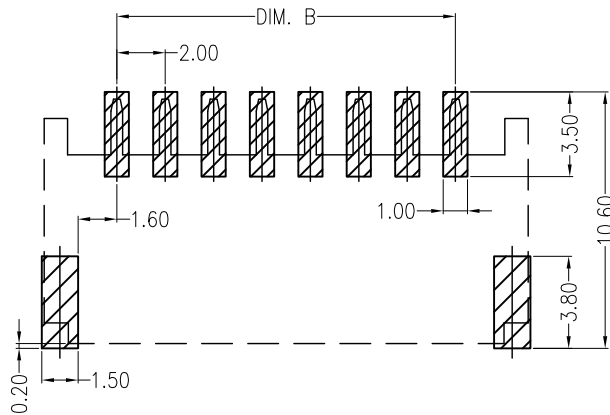
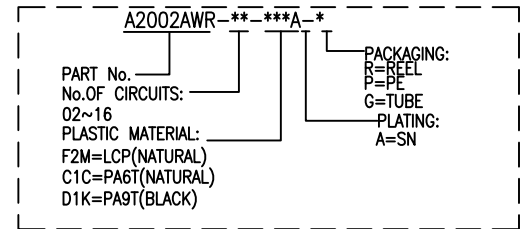
3D VIEWS



Specifications:

- Contact resistance: $\leq 20m\Omega$
- Insulation resistance: $\geq 1000M\Omega$
- Rated voltage: 250V AC DC
- Rated current: 2.0A AC DC
- Withstand voltage: 1000V AC/minute
- Temperature range: $-25^{\circ}C \sim +105^{\circ}C$
- Housing: LCP/PA6T/PA9T, UL94V-0 (Natural, Black)
- Contacts: Brass/Sn
- Solder tabs: Brass/Sn

ORDER INFORMATION:



SUGGESTED PCB LAYOUT

Circuits	Dimensions (mm)			
	DIM. A	DIM. B	DIM. C	DIM. D
02	8.00	2.00	2.70 _{A1}	4.75 _{A1}
03	10.00	4.00	3.20 _{A1}	6.75 _{A1}
04	12.00	6.00	3.50	8.90
05	14.00	8.00	5.50	10.90
06	16.00	10.00	7.50	12.90
07	18.00	12.00	9.50	14.90
08	20.00	14.00	11.50	16.90
09	22.00	16.00	13.50	18.90
10	24.00	18.00	15.50	20.90
11	26.00	20.00	15.50	22.90
12	28.00	22.00	15.50	24.90
13	30.00	24.00	15.50	26.90
14	32.00	26.00	15.50	28.90
15	34.00	28.00	15.50	30.90
16	36.00	30.00	15.50	32.90

JKUN 温州健坤接插件有限公司
WENZHOU JKUN CONNECTOR CO.,LTD.

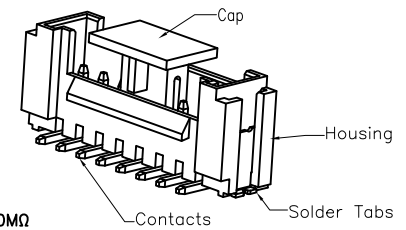
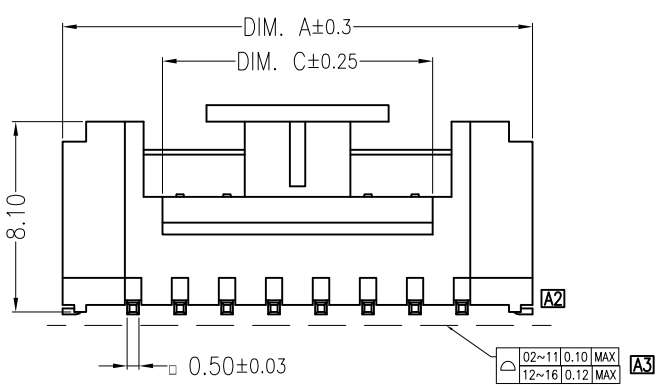
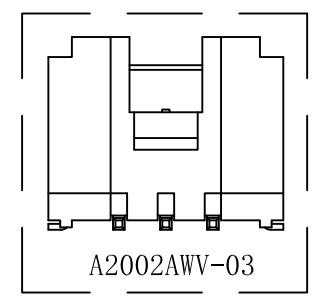
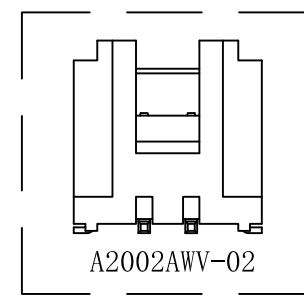
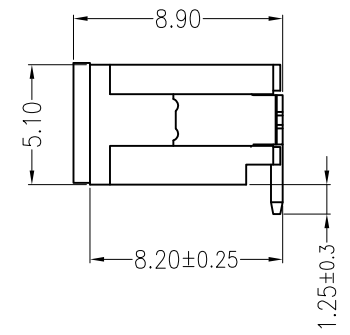
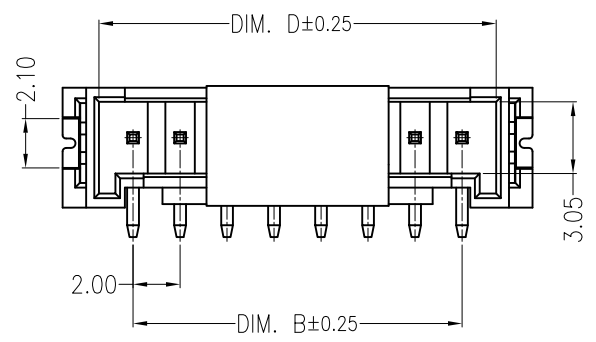
GENERAL TOLERANCE	
X. ±0.50	X. ±5°
X.X ±0.30	X.X ±2°
X.XX ±0.20	X.XX ±1°

USE:	
CUSTOMER	APPD: Shaojinghe
CHKD: Zenglingqing	DR: Jiangjiayin

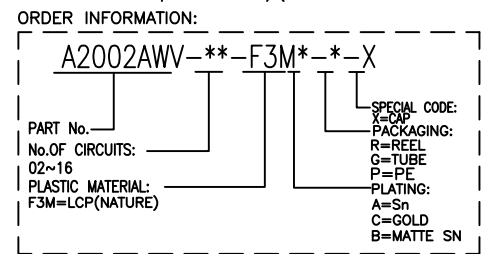
TITLE: 2.00mm PITCH 90° WAFER SMT TYPE
PART NO.: A2002AWR-**-***A-*
DWG NO.: JKUN/GCKH-0530
SCALE 1 : 1
SHEET 1 / 1

A B C D E F

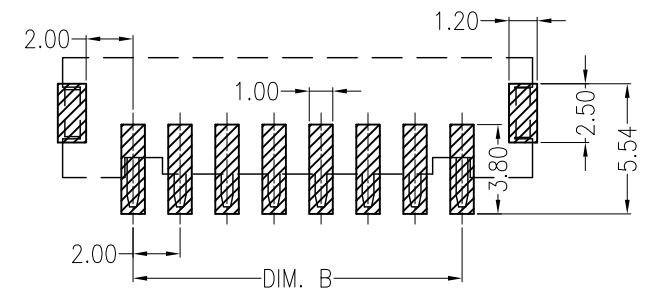
REV	DESCRIPTION	DESIGN	DATE
A0	NEW RELEASE	Wudanping	2016.05.07
A2	Improve inspection efficiency and quality	Zenglingqing	2018.06.06
A3	Adjust flatness	Jiangjianyin	2020.06.18



Specifications:
 Contact resistance: ≤20mΩ
 Insulation resistance: ≥1000MΩ
 Rated voltage: 250V AC DC
 Rated current: 2.0A AC DC
 Withstand Voltage: 1000V AC/minute
 Temperature Range: -25℃ ~ +105℃
 Housing: LCP, UL94V-0/Nature
 Cap: LCP, UL94V-0/Nature
 Contacts: Brass/(Sn or Matte Sn or Gold)
 Solder Tabs: Phosphor Bronze/(Sn or Matte Sn or Gold)



Circuits	Dimensions (mm)			
	DIM. A	DIM. B	DIM. C	DIM. D
02	8.00	2.00	2.70	4.90
03	10.00	4.00	2.70	6.90
04	12.00	6.00	3.50	8.90
05	14.00	8.00	5.50	10.90
06	16.00	10.00	7.50	12.90
07	18.00	12.00	9.50	14.90
08	20.00	14.00	11.50	16.90
09	22.00	16.00	13.50	18.90
10	24.00	18.00	15.50	20.90
11	26.00	20.00	15.50	22.90
12	28.00	22.00	15.50	24.90
13	30.00	24.00	15.50	26.90
14	32.00	26.00	15.50	28.90
15	34.00	28.00	15.50	30.90
16	36.00	30.00	15.50	32.90

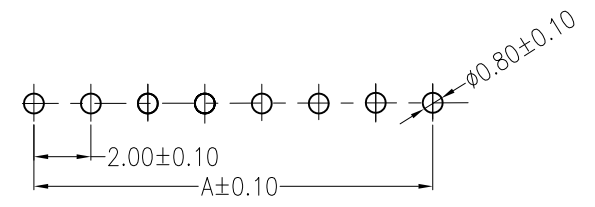
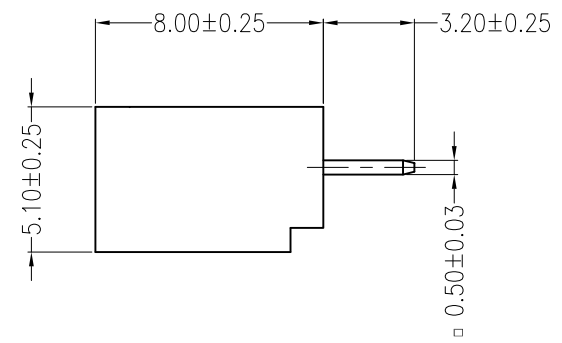
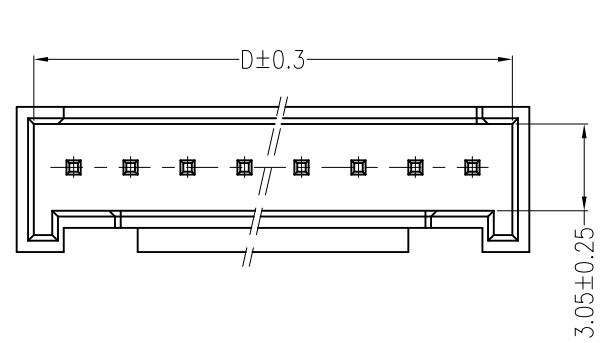


SUGGESTED PCB LAYOUT

JKUN 温州健坤接插件有限公司 WENZHOU JKUN CONNECTOR CO.,LTD.		TITLE: 2.0mm PITCH 180° WAFER SMT TYPE	
GENERAL TOLERANCE		USE: CUSTOMER	PART NO.:
X. ±0.50	X. ±5°	APPD: Shaojinghe	A2002AWV-**-F3M*-*-X
X.X ±0.30	X.X ±2°	CHKD: Zenglingqing	DWG NO.:
X.XX ±0.20	X.XX ±1°	DR: Jiangjianyin	JKUN-GCKH-0531
UNITS: mm		SCALE 1 : 1	SHEET 1 / 1

A B C D E F

REV	ECN No.	DESCRIPTION	DESIGN	DATE
A0	-	NEW RELEASE	吴丹平	2017.05.29
-	-	-	-	-

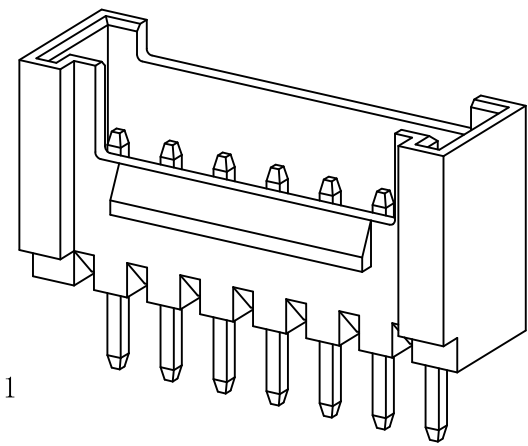
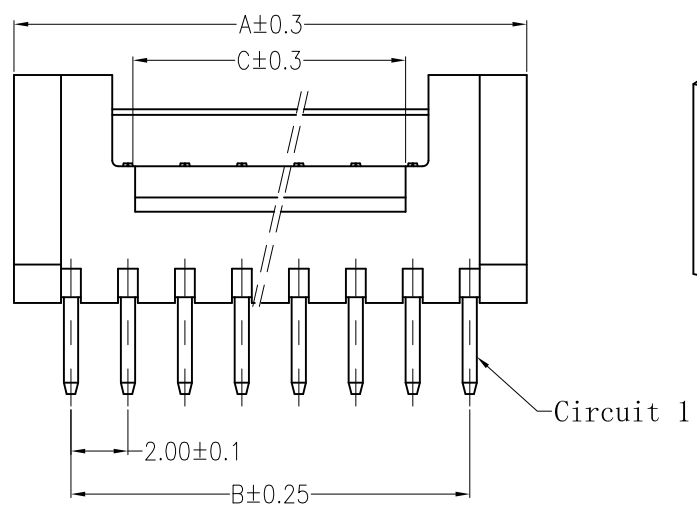
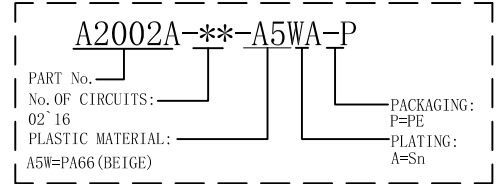


SUGGESTED PCB LAYOUT

主要技术参数 Main Specifications

- 线数 (Poles): 02 to 16
- 接触电阻 (Contact resistance): $\leq 20m\Omega$
- 绝缘电阻 (Insulation resistance): $\geq 1000M\Omega$
- 额定电压 (Rated voltage): 250V AC DC
- 额定电流 (Rated current): 2.0A AC DC
- 耐电压 (Withstand Voltage): 1000V AC/minute
- 温度范围 (Temperature Range): $-25^{\circ}C \sim +85^{\circ}C$

ORDER INFORMATION:



Circuits	Dimensions (mm)				Circuits	Dimensions (mm)			
	A	B	C	D		A	B	C	D
02	6.00	2.00	2.70	4.90	10	22.00	18.00	16.0	20.90
03	8.00	4.00	3.00	6.90	11	24.00	20.00	18.0	22.90
04	10.00	6.00	4.00	8.90	12	26.00	22.00	20.0	24.90
05	12.00	8.00	6.00	10.90	13	28.00	24.00	22.0	26.90
06	14.00	10.00	8.00	12.90	14	30.00	26.00	24.0	28.90
07	16.00	12.00	10.0	14.90	15	32.00	28.00	26.0	30.90
08	18.00	14.00	12.0	16.90	16	34.00	30.00	28.0	32.90
09	20.00	16.00	14.0	18.90					

ITEM	COMPONENT	Q'TY	MATERIAL	FINISH
C				
B	CONTACT	2~16 PCS	Brass	Sn-plated
A	HOUSING	1 PCS	PA66	COLOR:BEIGE

JKUN 温州健坤接插件有限公司
WENZHOU JKUN CONNECTOR CO., LTD.

TITLE: 2.0mmPITCH 180°WAFER DIP TYPE

PART NO.: A2002A-**-A5WA-P

DWG NO.: JKUN/GCCP-0528

SCALE: 1 : 1 SHEET: 1 / 1

USE: CUSTOMER

APPD: 邵敬和

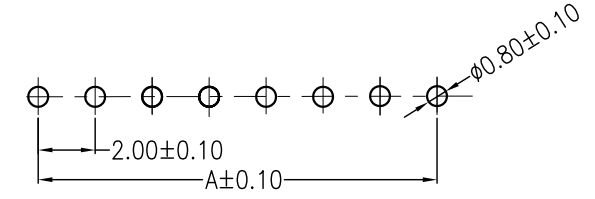
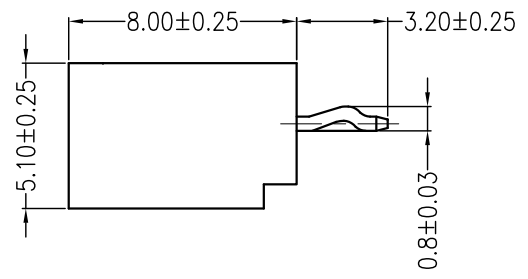
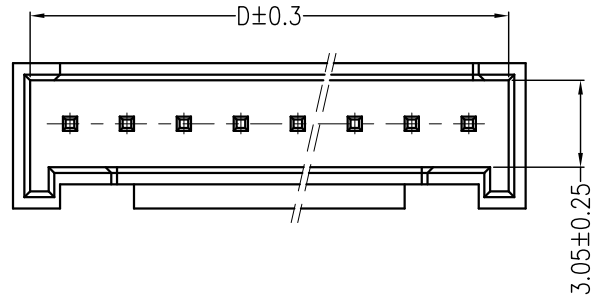
CHKD: 田峰

DR: 蒋建银

UNITS: mm

A B C D E F

REV	ECN No.	DESCRIPTION	DESIGN	DATE
A0	-	NEW RELEASE	吴丹平	2017.05.29
-	-	-	-	-

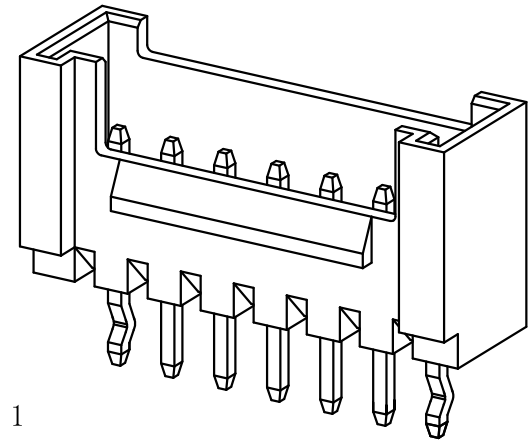
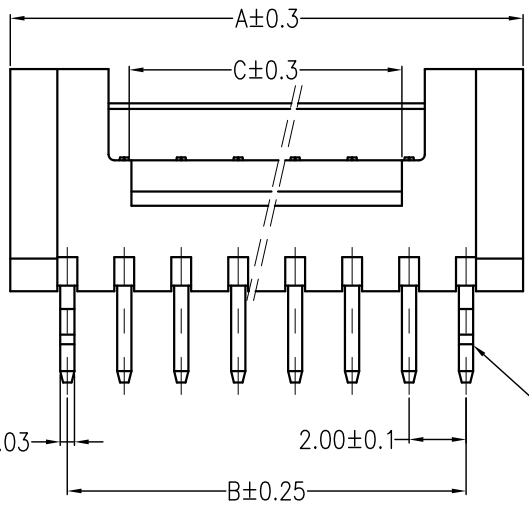
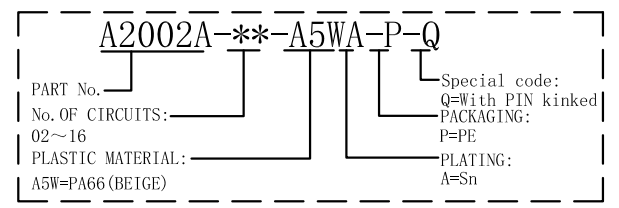


SUGGESTED PCB LAYOUT

主要技术参数 Main Specifications

- 线数 (Poles): 02 to 16
- 接触电阻 (Contact resistance): $\leq 20m\Omega$
- 绝缘电阻 (Insulation resistance): $\geq 1000M\Omega$
- 额定电压 (Rated voltage): 250V AC DC
- 额定电流 (Rated current): 2.0A AC DC
- 耐电压 (Withstand Voltage): 1000V AC/minute
- 温度范围 (Temperature Range): $-25^{\circ}C \sim +85^{\circ}C$

ORDER INFORMATION:



Circuits	Dimensions (mm)				Circuits	Dimensions (mm)			
	A	B	C	D		A	B	C	D
02	6.00	2.00	2.70	4.90	10	22.00	18.00	16.0	20.90
03	8.00	4.00	3.00	6.90	11	24.00	20.00	18.0	22.90
04	10.00	6.00	4.00	8.90	12	26.00	22.00	20.0	24.90
05	12.00	8.00	6.00	10.90	13	28.00	24.00	22.0	26.90
06	14.00	10.00	8.00	12.90	14	30.00	26.00	24.0	28.90
07	16.00	12.00	10.0	14.90	15	32.00	28.00	26.0	30.90
08	18.00	14.00	12.0	16.90	16	34.00	30.00	28.0	32.90
09	20.00	16.00	14.0	18.90					

ITEM	COMPONENT	Q'TY	MATERIAL	FINISH
C				
B	CONTACT	2~16 PCS	Brass	Sn-plated
A	HOUSING	1 PCS	PA66	COLOR:BEIGE

JKUN 温州健坤接插件有限公司
WENZHOU JKUN CONNECTOR CO., LTD.

TITLE: 2.0mmPITCH 180°WAFER DIP TYPE

PART NO.: A2002A-**-A5WA-P-Q

DWG NO.: JKUN/GCCP-0528

SCALE: 1 : 1

SHEET: 1 / 1

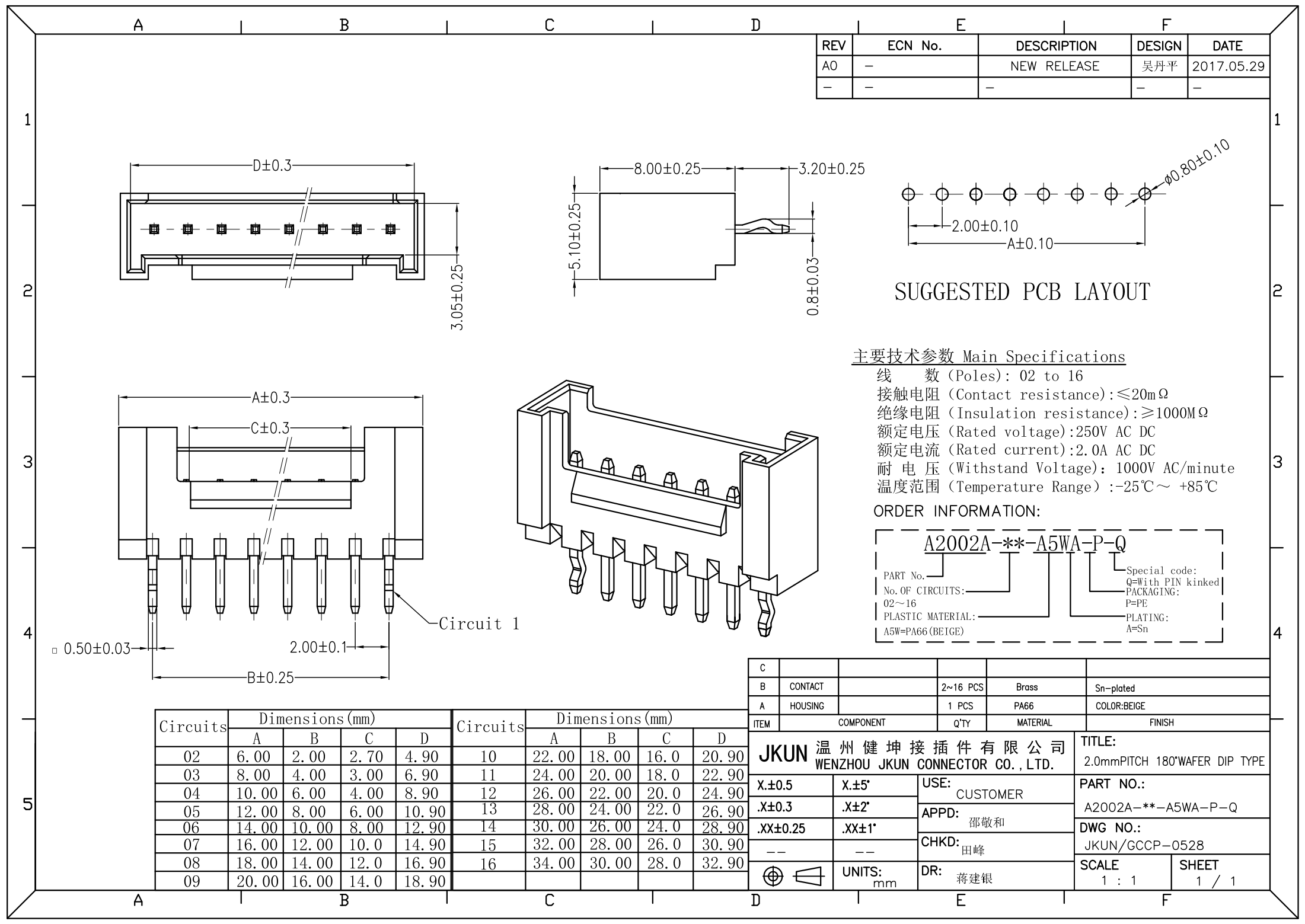
USE: CUSTOMER

APPD: 邵敬和

CHKD: 田峰

DR: 蒋建银

UNITS: mm



A

B

C

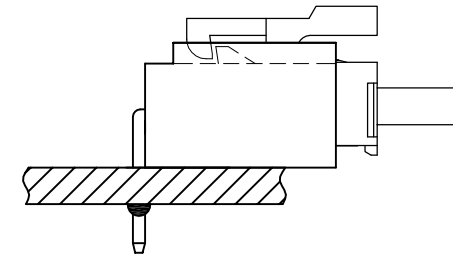
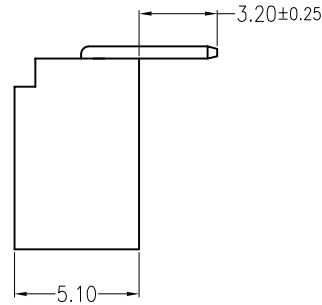
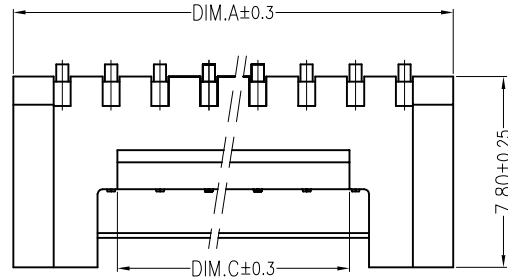
D

E

F

REV	DESCRIPTION	DESIGN	DATE
A0	Release	吴丹平	2017.05.20

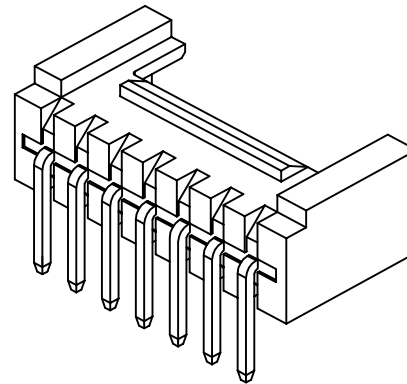
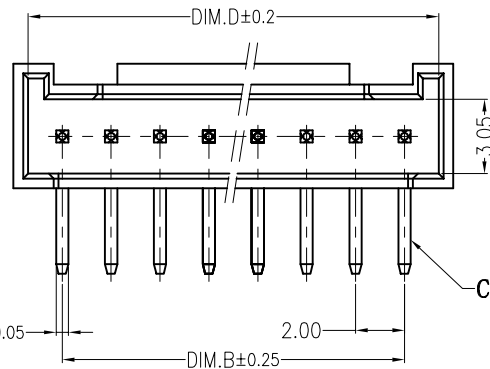
1



Assembly Layout

2

3



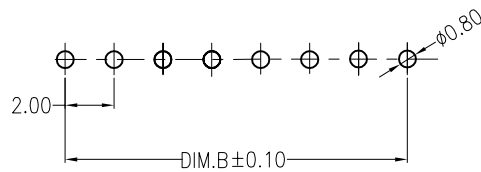
主要技术参数 Main Specifications

线数 (Poles): 02 to 16
 接触电阻 (Contact resistance): $\leq 20m\Omega$
 绝缘电阻 (Insulation resistance): $\geq 1000M\Omega$
 额定电压 (Rated voltage): 250V AC DC
 额定电流 (Rated current): 2.0A AC DC
 耐电压 (Withstand Voltage): 1000V AC/minute
 温度范围 (Temperature Range): $-25^{\circ}C \sim +85^{\circ}C$

ORDER INFORMATION:

A2002AW-**-A5WA-P			
PART No.:			
No. OF CIRCUITS:	02~16		PACKAGING: P=PE
PLASTIC MATERIAL:			PLATING: A=Sn
A5W=PA66 (WHITE)			

4



SUGGESTED PCB LAYOUT

5

Circuits	Dimensions (mm)			
	DIM. A	DIM. B	DIM. C	DIM. D
02	6.00	2.00	2.70	4.90
03	8.00	4.00	3.00	6.90
04	10.00	6.00	4.00	8.90
05	12.00	8.00	6.00	10.90
06	14.00	10.00	8.00	12.90
07	16.00	12.00	10.00	14.90
08	18.00	14.00	12.00	16.90
09	20.00	16.00	14.00	18.90
10	22.00	18.00	16.00	20.90
11	24.00	20.00	18.00	22.90
12	26.00	22.00	20.00	24.90
13	28.00	24.00	22.00	26.90
14	30.00	26.00	24.00	28.90
15	32.00	28.00	26.00	30.90
16	34.00	30.00	28.00	32.90

ITEM	COMPONENT	Q'TY	MATERIAL	FINISH
C				
B	CONTACT	2~16 PCS	Brass	Sn-plated
A	PEDESTAL	1 PCS	PA66	COLOR:WHITE

JKUN 温州健坤接插件有限公司 WENZHOU JKUN CONNECTOR CO., LTD.		TITLE: 2.0mmPITCH 90°WAFER DIP TYPE	
X.±0.5	X.±5'	USE:	PART NO.:
.X±0.3	.X±2'	CUSTOMER	A2002AW-**-A5WA-P
.XX±0.25	.XX±1'	APPD: 邵敬和	DWG NO.:
--	--	CHKD: 田峰	JKUN-GCCP-0529
UNITS: mm		DR: 吴丹平	SCALE: 1:1
			SHEET: 1/1

A

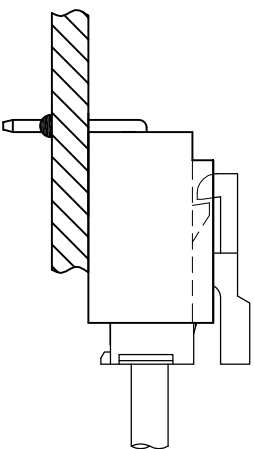
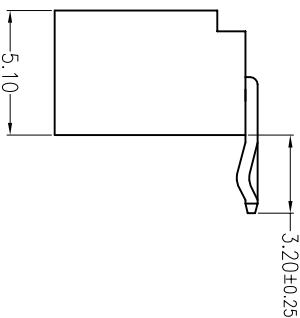
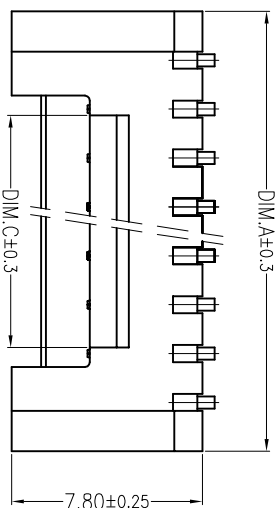
B

C

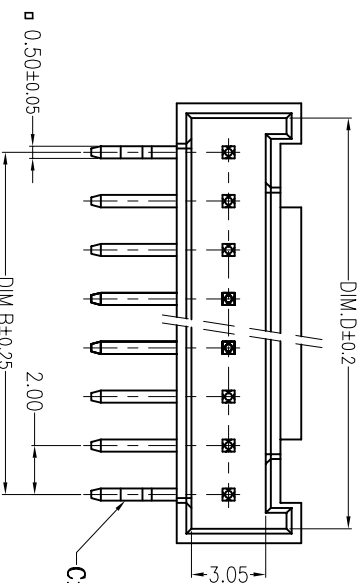
D

E

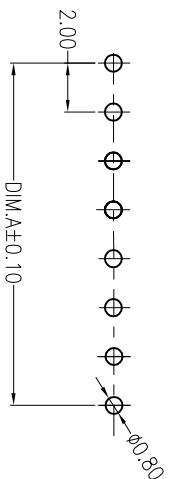
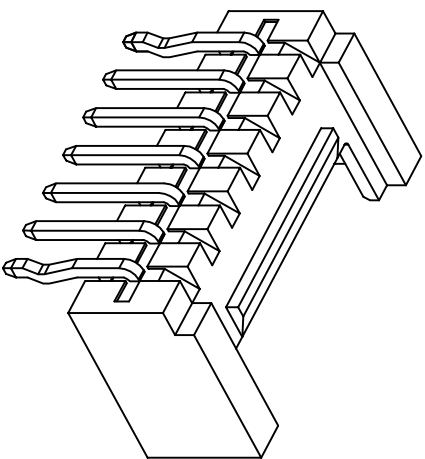
F



Assembly Layout



Circuit 1



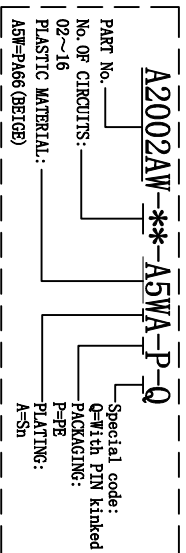
SUGGESTED PCB LAYOUT

REV	DESCRIPTION	DESIGN	DATE
A0	Release	吴丹平	2017.05.20

主要技术参数 Main Specifications

线数 (Poles): 02 to 16
 接触电阻 (Contact resistance): $\leq 20m\Omega$
 绝缘电阻 (Insulation resistance): $\geq 1000M\Omega$
 额定电压 (Rated voltage): 250V AC DC
 额定电流 (Rated current): 2.0A AC DC
 耐电压 (Withstand Voltage): 1000V AC/minute
 温度范围 (Temperature Range): $-25^{\circ}C \sim +85^{\circ}C$

ORDER INFORMATION:

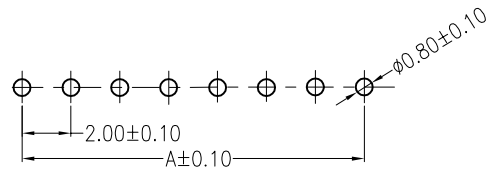
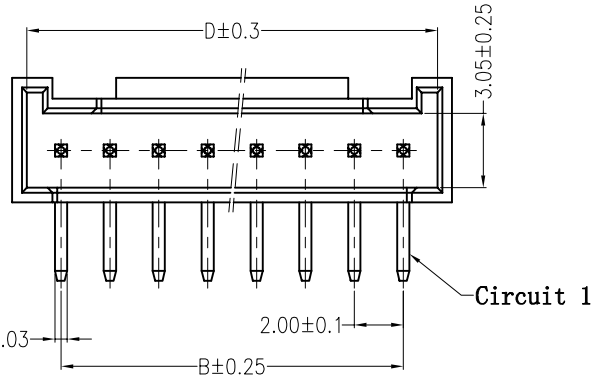
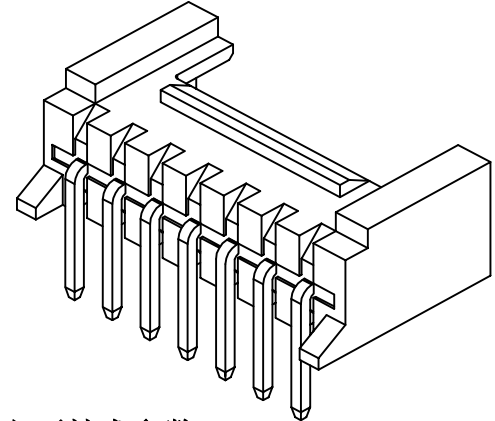
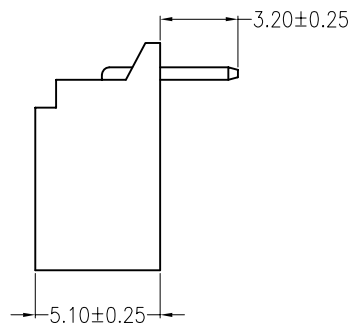
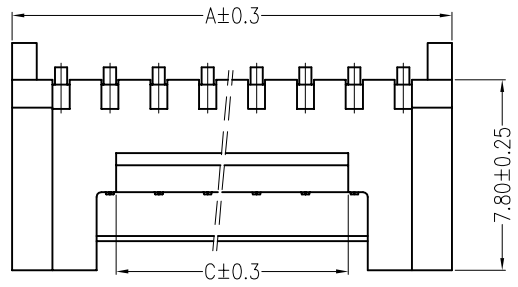


Circuits	Dimensions (mm)			
	DIM. A	DIM. B	DIM. C	DIM. D
02	6.00	2.00	2.70	4.90
03	8.00	4.00	3.00	6.90
04	10.00	6.00	4.00	8.90
05	12.00	8.00	6.00	10.90
06	14.00	10.00	8.00	12.90
07	16.00	12.00	10.00	14.90
08	18.00	14.00	12.00	16.90
09	20.00	16.00	14.00	18.90
10	22.00	18.00	16.00	20.90
11	24.00	20.00	18.00	22.90
12	26.00	22.00	20.00	24.90
13	28.00	24.00	22.00	26.90
14	30.00	26.00	24.00	28.90
15	32.00	28.00	26.00	30.90
16	34.00	30.00	28.00	32.90

ITEM	COMPONENT	QTY	MATERIAL	FINISH
A	PEDESTAL	1 PCS	PA66	COLOR: WHITE
B	CONTACT	2-16 PCS	Brass	Sn-plated

JKUN 温州健坤接插件有限公司 WENZHOU JKUN CONNECTOR CO., LTD.		TITLE:	2.0mm PITCH 90° WAFER DIP TYPE
USE:	CUSTOMER	PART NO.:	A2002AW-**-A5WA-P-Q
APPD:	邵敬和	DWG NO.:	JKUN-GCCP-0529
CHKD:	田峰	SCALE	1 : 1
UNITS:	mm	DR:	吴丹平
		SHEET	1 / 1

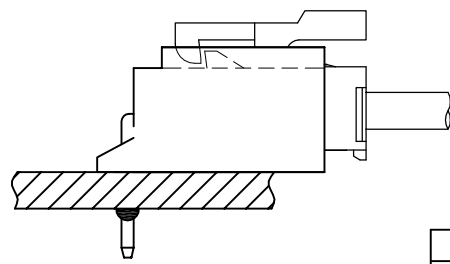
REV	DESCRIPTION	DESIGN	DATE
A0	Release	蒋建银	2018.01.15



主要技术参数 Main Specifications

- 线 数 (Poles): 02 to 16
- 接触电阻 (Contact resistance): $\leq 20m\Omega$
- 绝缘电阻 (Insulation resistance): $\geq 1000M\Omega$
- 额定电压 (Rated voltage): 250V AC DC
- 额定电流 (Rated current): 2.0A AC DC
- 耐电压 (Withstand Voltage): 1000V AC/minute
- 温度范围 (Temperature Range): $-25^{\circ}C \sim +85^{\circ}C$

SUGGESTED PCB LAYOUT



Assembly Layout

ORDER INFORMATION:

A2002AWD--A5WA-P**

PART No. _____
 No. OF CIRCUITS: _____
 02~16
 PLASTIC MATERIAL: _____
 A5W=PA66 (WHITE)

PACKAGING: P=PE
 PLATING: A=Sn

Circuits	Dimensions (mm)				Circuits	Dimensions (mm)			
	A	B	C	D		A	B	C	D
02	6.00	2.00	3.00	4.90	10	22.00	18.00	16.00	20.90
03	8.00	4.00	3.50	6.90	11	24.00	20.00	18.00	22.90
04	10.00	6.00	4.00	8.90	12	26.00	22.00	20.00	24.90
05	12.00	8.00	6.00	10.90	13	28.00	24.00	22.00	26.90
06	14.00	10.00	8.00	12.90	14	30.00	26.00	24.00	28.90
07	16.00	12.00	10.00	14.90	15	32.00	28.00	26.00	30.90
08	18.00	14.00	12.00	16.90	16	34.00	30.00	28.00	32.90
09	20.00	16.00	14.00	18.90					

ITEM	COMPONENT	Q'TY	MATERIAL	FINISH
C				
B	CONTACT	2~16 PCS	Brass	Sn-plated
A	PEDESTAL	1 PCS	PA66	COLOR:WHITE

JKUN 温州健坤接插件有限公司
 WENZHOU JKUN CONNECTOR CO., LTD.

TITLE: 2.0mmPITCH 90°WAFER DIP TYPE

PART NO.: A2002AWD-**-A5WA-P

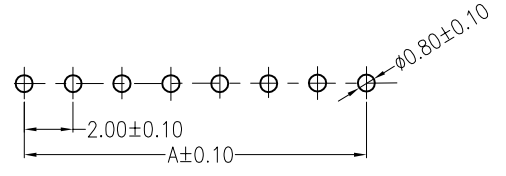
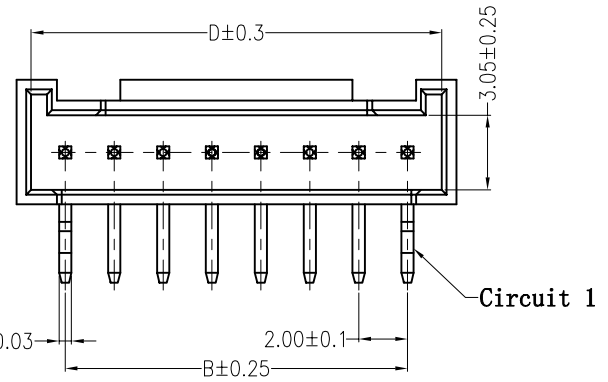
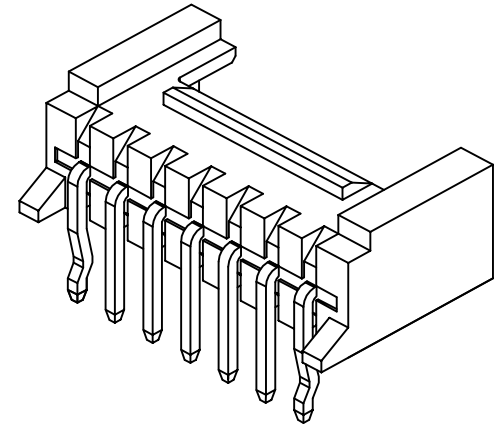
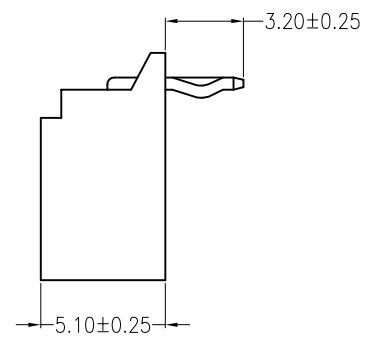
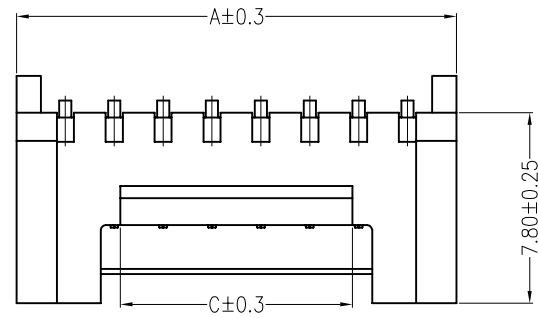
DWG NO.: JKUN-GCCP-0619

SCALE: 1 : 1 SHEET: 1 / 1

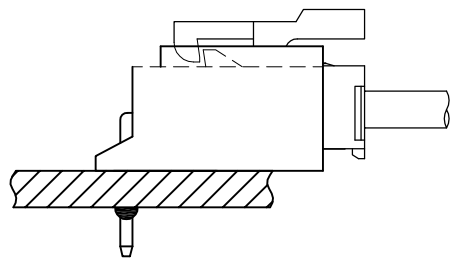
USE: CUSTOMER
 APPD: 邵敬和
 CHKD: 田峰
 DR: 蒋建银

UNITS: mm

REV	DESCRIPTION	DESIGN	DATE
A0	Release	张一荣	2013.04.12



SUGGESTED PCB LAYOUT



Assembly Layout

ORDER INFORMATION:

A2002AWD--A5WA-P-Q**

PART No.:	Special code:
No. OF CIRCUITS:	Q=With PIN kinked
02~16	PACKAGING:
PLASTIC MATERIAL:	P=PE
A5W=PA66 (BEIGE)	PLATING:
	A=Sn

Circuits	Dimensions (mm)				Circuits	Dimensions (mm)			
	A	B	C	D		A	B	C	D
02	6.00	2.00	3.00	4.90	10	22.00	18.00	16.00	20.90
03	8.00	4.00	3.50	6.90	11	24.00	20.00	18.00	22.90
04	10.00	6.00	4.00	8.90	12	26.00	22.00	20.00	24.90
05	12.00	8.00	6.00	10.90	13	28.00	24.00	22.00	26.90
06	14.00	10.00	8.00	12.90	14	30.00	26.00	24.00	28.90
07	16.00	12.00	10.00	14.90	15	32.00	28.00	26.00	30.90
08	18.00	14.00	12.00	16.90	16	34.00	30.00	28.00	32.90
09	20.00	16.00	14.00	18.90					

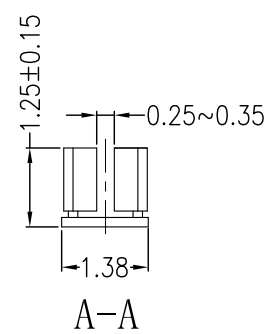
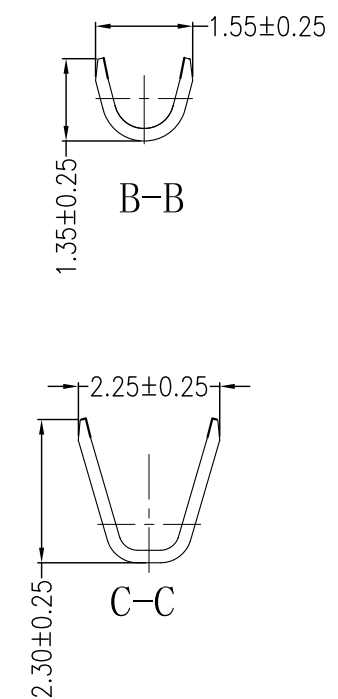
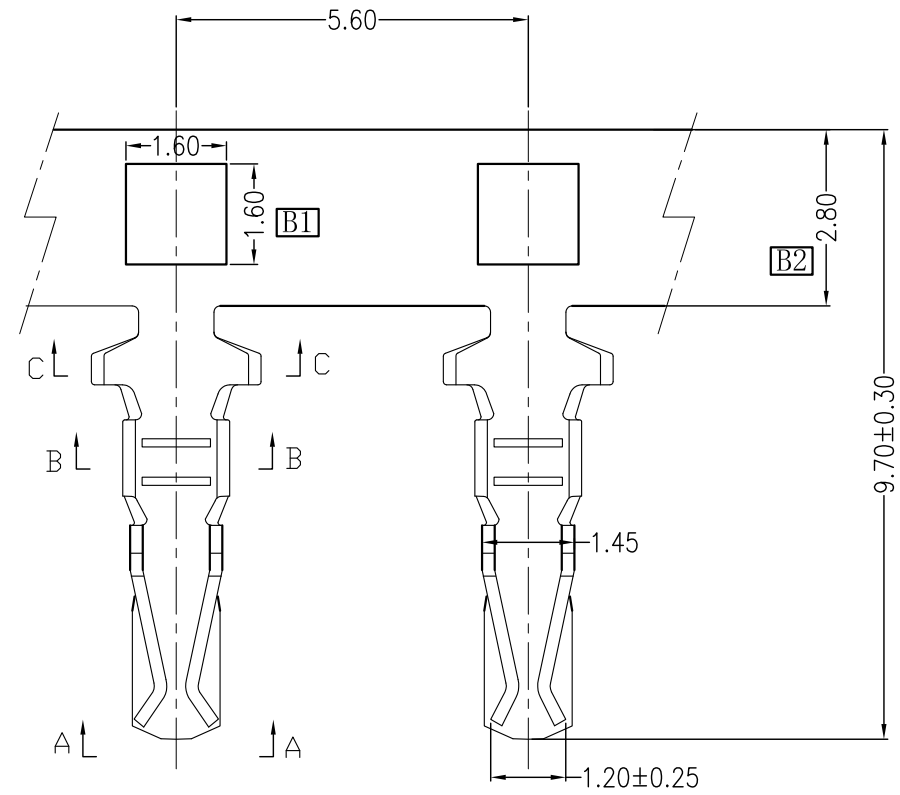
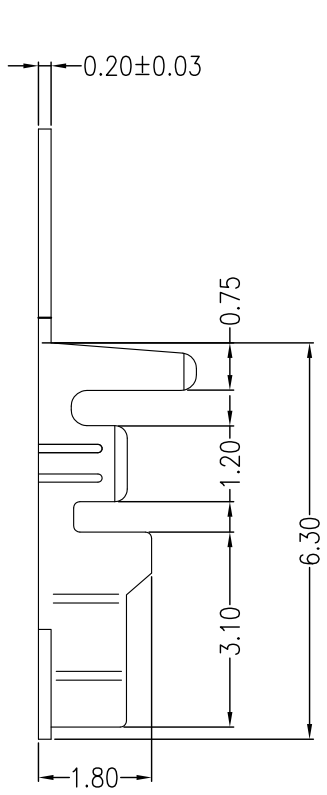
ITEM	COMPONENT	Q'TY	MATERIAL	FINISH
C				
B	CONTACT	2~16 PCS	Brass	Sn-plated
A	PEDESTAL	1 PCS	PA66	COLOR:WHITE

JKUN 温州健坤接插件有限公司 WENZHOU JKUN CONNECTOR CO., LTD.		TITLE: 2.0mmPITCH 90°WAFER DIP TYPE	
X.±0.5 .X±0.3 .XX±0.25 -- 	X.±5° .X±2° .XX±1° -- UNITS: mm	USE: CUSTOMER APPD: 邵敬和 CHKD: 田峰 DR: 蒋建银	PART NO.: A2002AWD-**-A5WA-P-Q DWG NO.: JKUN-GCCP-0619 SCALE 1 : 1
			SHEET 1 / 1

A B C D E F

1
2
3
4
5

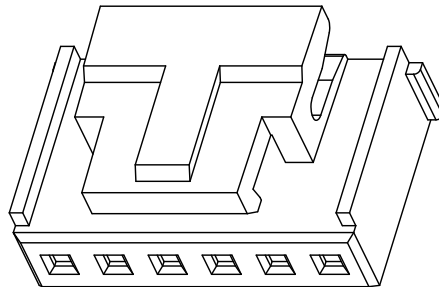
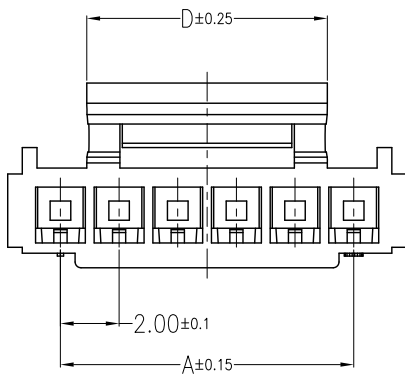
REV	ECN No.	DESCRIPTION	DESIGN	DATE
A0		Release	吴丹平	2015.07.01
B		新模, 步距孔改为方孔	蒋建银	2023.01.05



Ordering Information & Specification:

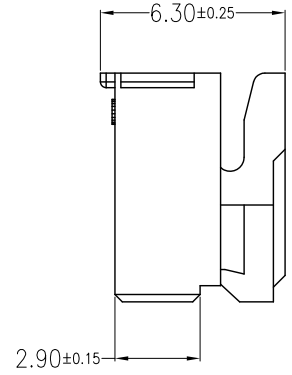
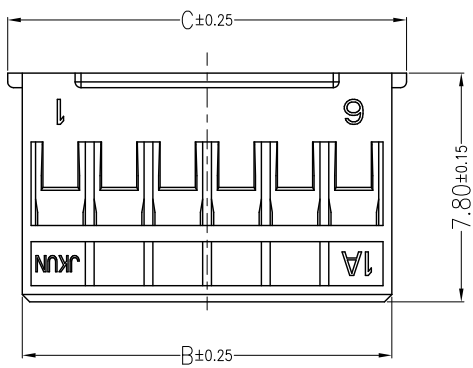
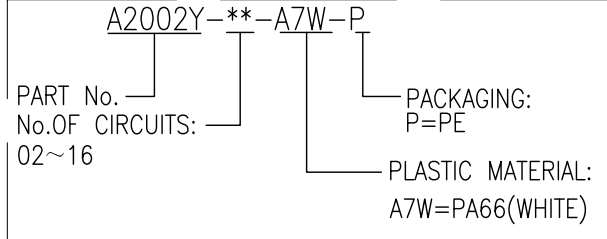
Part No	Wire Range	Insulation O.D.	Material	Finish	Qty/Reel
A2002T	AWG #22~#30	1.60mm(max)	Phosphor bronze	Sn: 2.5~5.0um	
JKUN 温州健坤接插件有限公司 WENZHOU JKUN CONNECTOR CO., LTD				TITLE: A2002 端子	
X±0.5	X±5'	USE: CUSTOMER		PART NO.:	
.X±0.3	.X±2'	APPD: 邵敬和		A2002T	
.XX±0.25	.XX±1'	CHKD: 田峰		DWG NO.:	
--	--	DR: 吴丹平		JKUN/GCDZ-0005	
UNITS: mm		SCALE 1:1		SHEET 1/1	

REV	DESCRIPTION	DESIGN	DATE
A	NEW RELEASE	Z.M.Xue	2023.03.23



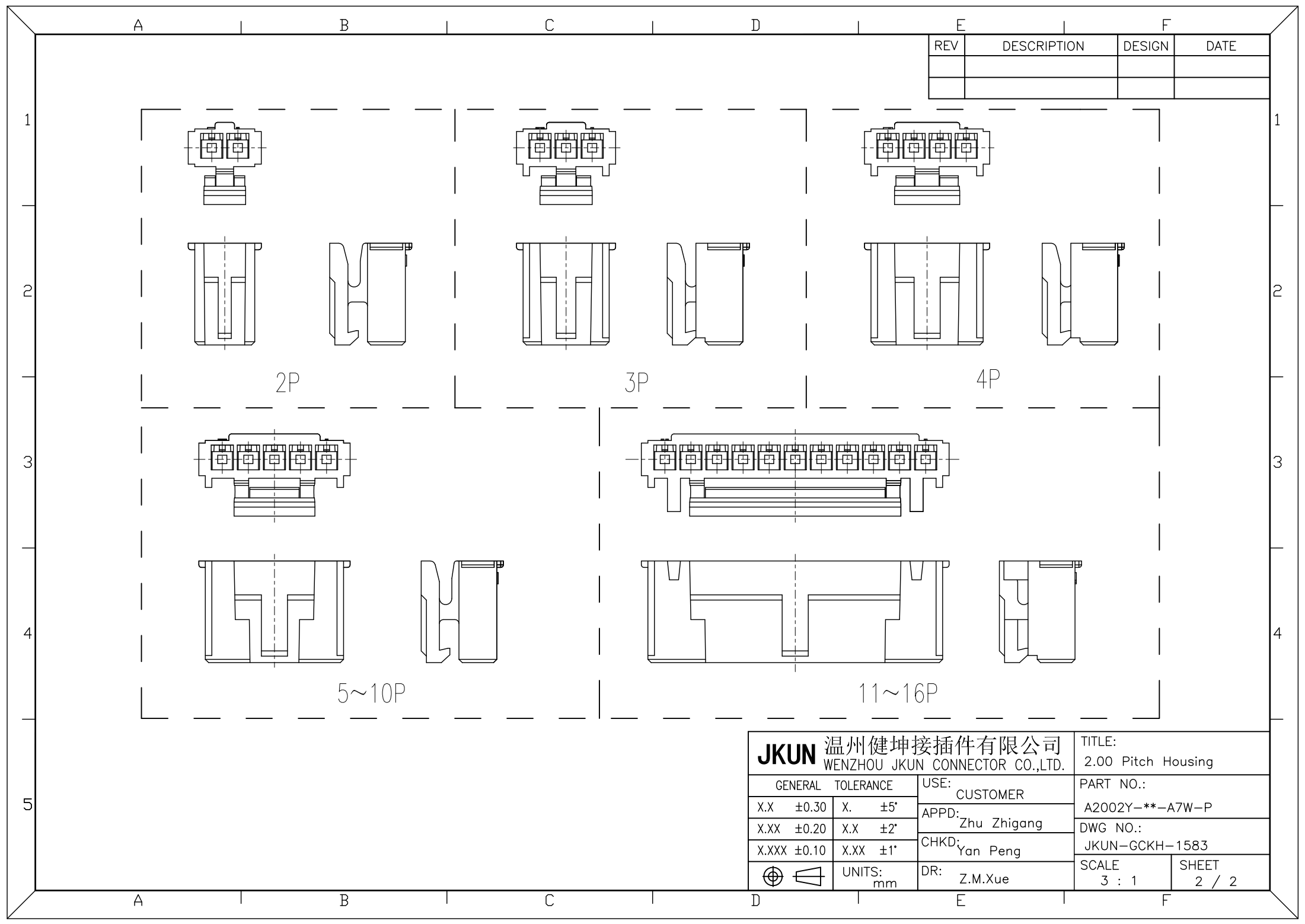
Specifications:
 Contact resistance: ≤20mΩ
 Insulation resistance: ≥1000MΩ
 Rated voltage: 250V AC DC
 Rated current: 2.0A AC DC
 Withstand Voltage: 1000V AC/minute
 Temperature Range: -40°C ~ +105°C
 Housing: PA66 UL94V-0, WHITE

ORDER INFORMATION:

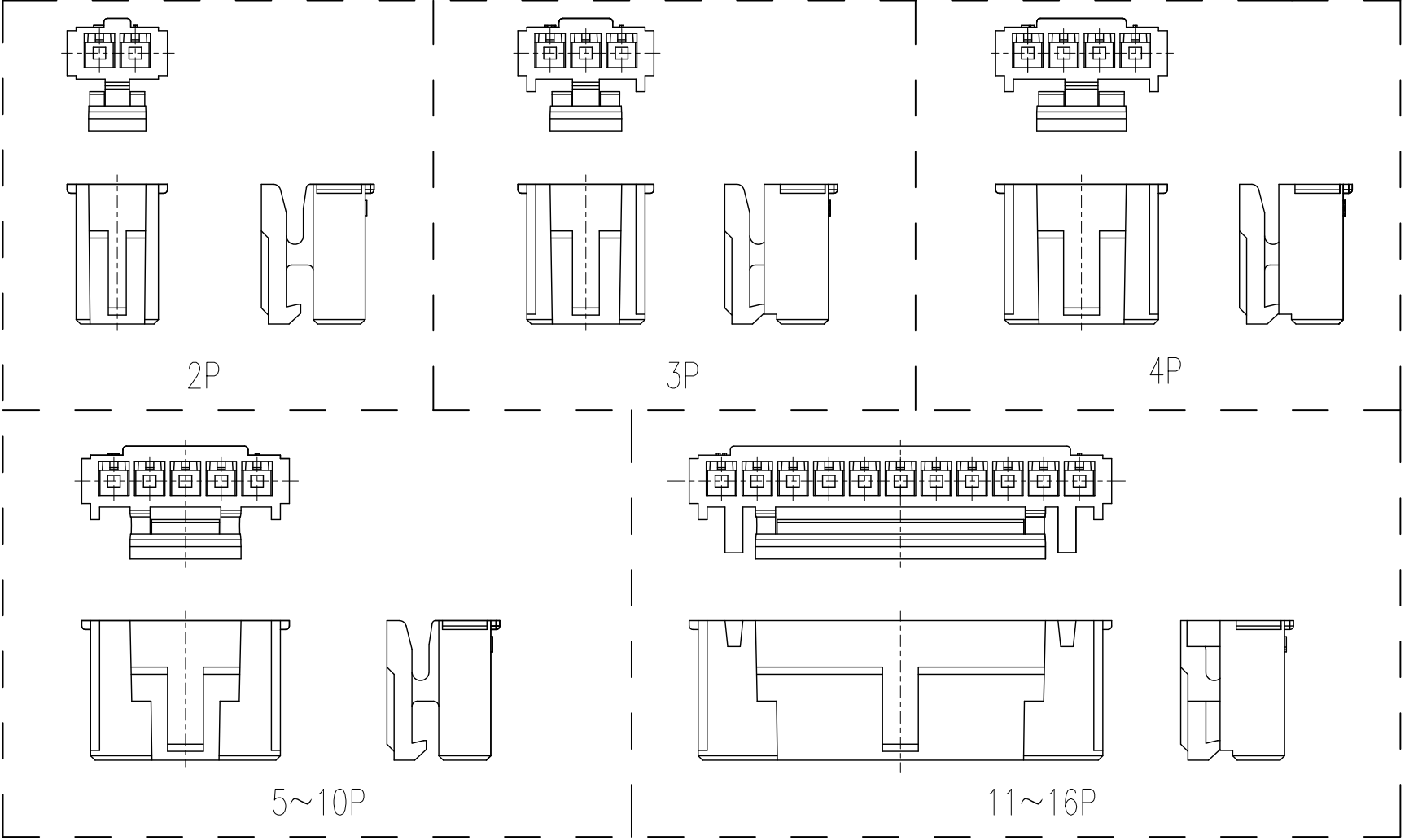


PIN.	DIM A	DIM B	DIM C	DIM D	PIN.	DIM A	DIM B	DIM C	DIM D
2	2.00	4.60	5.60	3.20	10	18.00	20.60	21.60	16.20
3	4.00	6.60	7.60	4.00	11	20.00	22.60	23.60	16.20
4	6.00	8.60	9.60	5.00	12	22.00	24.60	25.60	16.20
5	8.00	10.60	11.60	6.20	13	24.00	26.60	27.60	16.20
6	10.00	12.60	13.60	8.20	14	26.00	28.60	29.60	16.20
7	12.00	14.60	15.60	10.20	15	28.00	30.60	31.60	16.20
8	14.00	16.60	17.60	12.20	16	30.00	32.60	33.60	16.20
9	16.00	18.60	19.60	14.20					

JKUN 温州健坤接插件有限公司 WENZHOU JKUN CONNECTOR CO.,LTD.		TITLE: 2.00 Pitch Housing	
GENERAL TOLERANCE		PART NO.:	
X.X ±0.30	X. ±5°	A2002Y-**-A7W-P	
X.XX ±0.20	X.X ±2°	DWG NO.:	
X.XXX ±0.10	X.XX ±1°	JKUN-GCKH-1583	
UNITS: mm	USE: CUSTOMER	SCALE	
	APPD: Zhu Zhigang	4 : 1	
	CHKD: Yan Peng	SHEET	
	DR: Z.M.Xue	1 / 2	

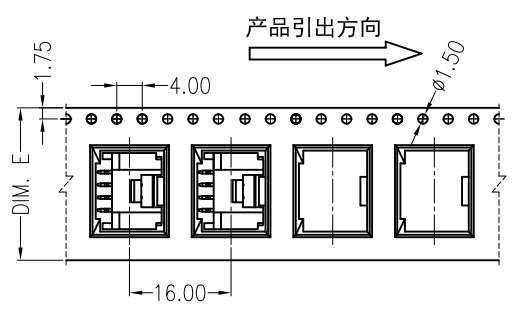


REV	DESCRIPTION	DESIGN	DATE

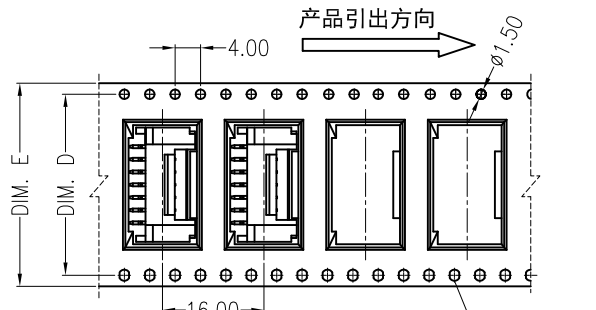


JKUN 温州健坤接插件有限公司 WENZHOU JKUN CONNECTOR CO.,LTD.		TITLE: 2.00 Pitch Housing	
GENERAL TOLERANCE		USE: CUSTOMER	PART NO.:
X.X ±0.30	X. ±5°	APPD: Zhu Zhigang	A2002Y-**-A7W-P
X.XX ±0.20	X.X ±2°	CHKD: Yan Peng	DWG NO.:
X.XXX ±0.10	X.XX ±1°	DR: Z.M.Xue	JKUN-GCKH-1583
		UNITS: mm	SCALE 3 : 1
			SHEET 2 / 2

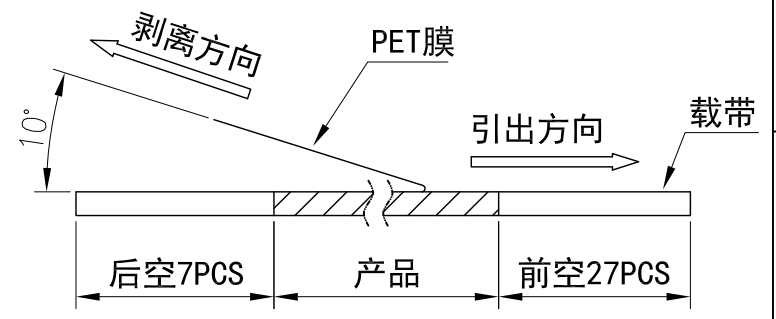
REV	ECN No.	DESCRIPTION	DESIGN	DATE
A		Release	蒋建银	2018.06.22



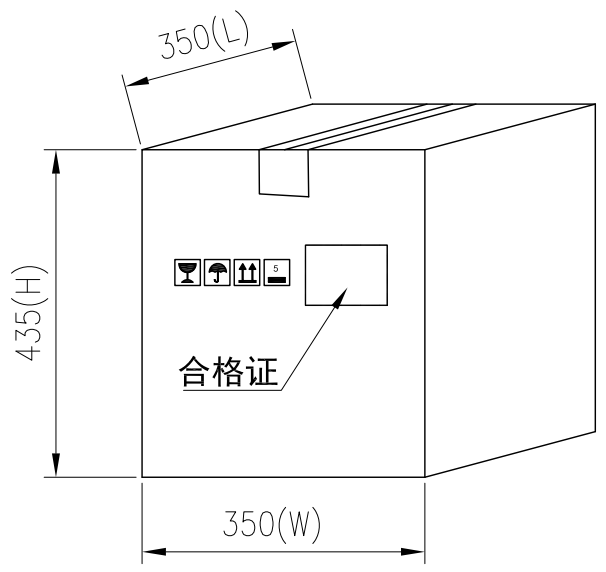
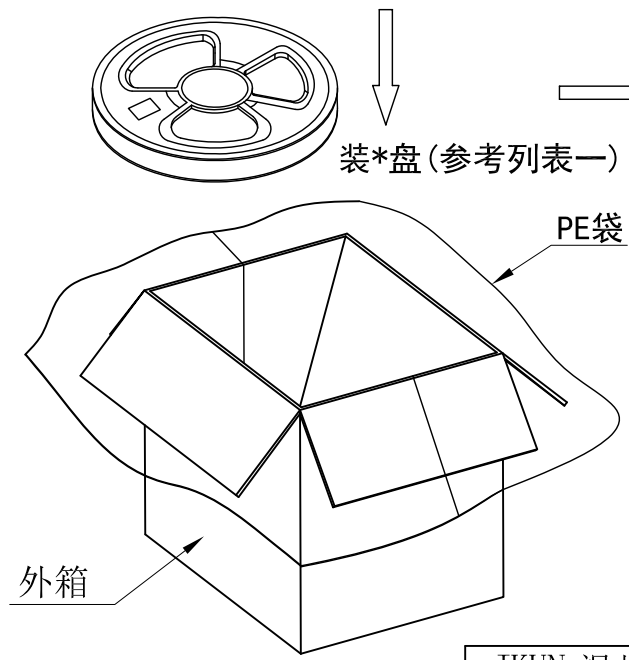
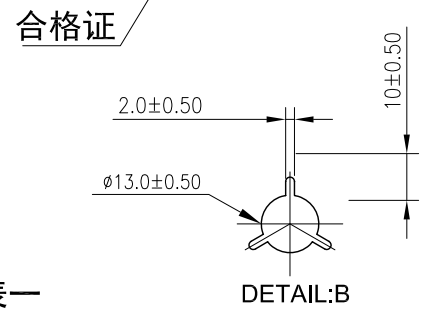
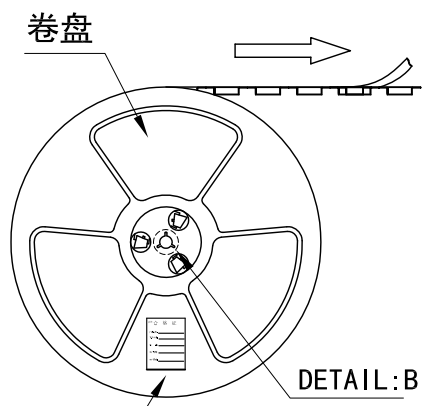
02~06 CONTACTS



07~16 CONTACTS



(PET膜剥离示意图)



列表一

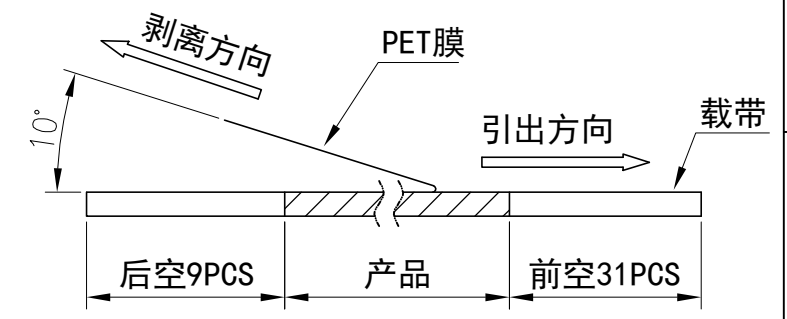
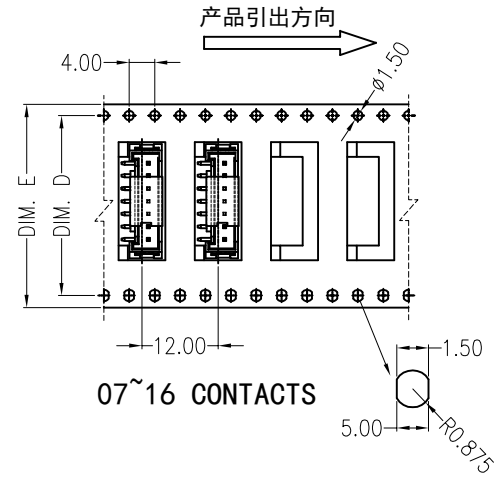
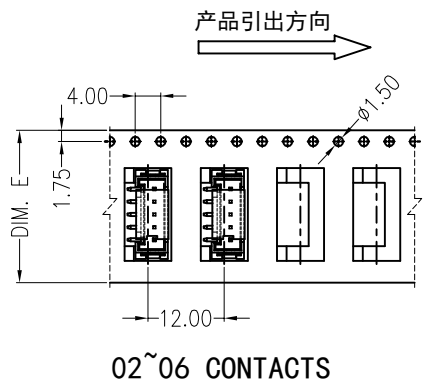
Circuits	DIM. D	DIM. E	Q'ty/Reel	Packing (Reel/Caton)
02-03PIN	-	16	800PCS	20/Reel
04-06PIN	-	24	800PCS	15/Reel
07PIN	28.4	32	800PCS	11/Reel
08-14PIN	40.4	44	800PCS	8/Reel
15-16PIN	52.4	56	800PCS	7/Reel

包装说明:

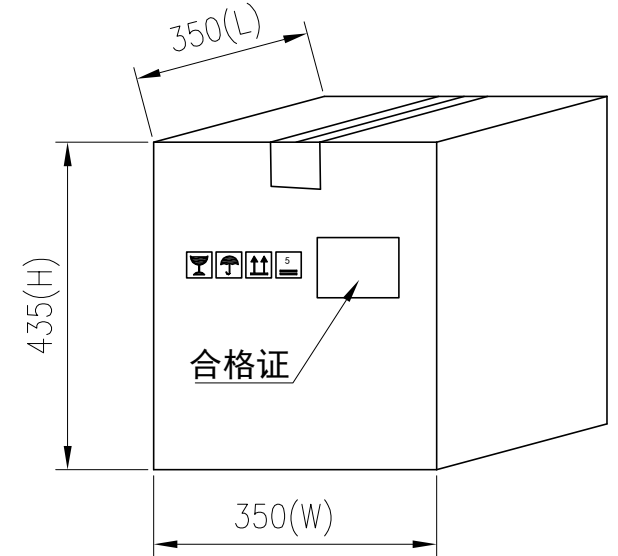
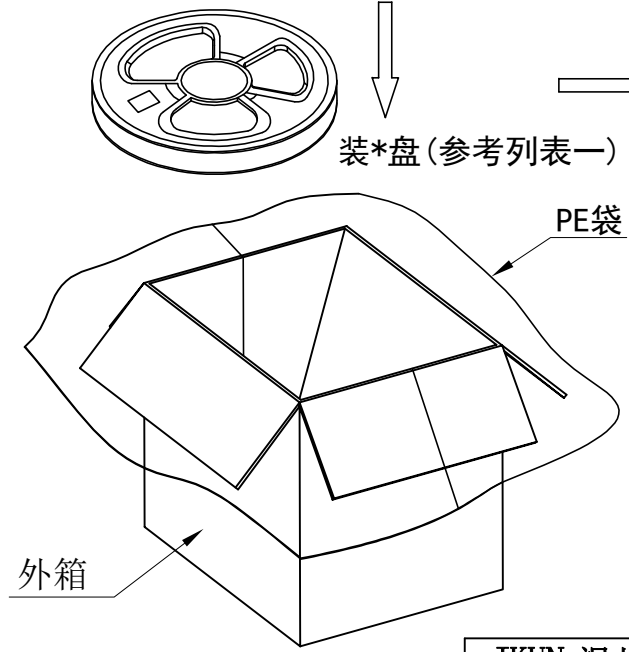
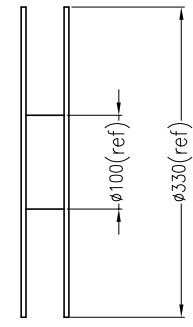
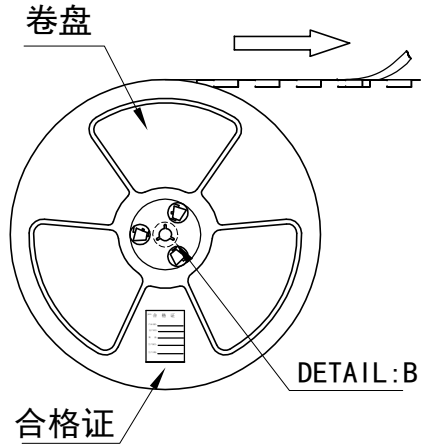
- 把成品包入卷盘中, 每盘装800PCS, 卷盘上贴上合格证, 将装好产品的卷盘放进外箱中, 外箱内先套一个大PE袋, 外箱上贴贴上合格证.
- 所有材料有害物控制需符合RoHS标准.

JKUN 温州健坤接插件有限公司 WENZHOU JKUN CONNECTOR CO., LTD.			TITLE:	
X.± 0.5	X.±'	USE:	CUSTOMER	
.X± 0.3	.X±'	APPD:	邵敬和	
.XX±0.25	.XX±'	CHKD:	田峰	
--	--	DR:	蒋建银	
UNITS: mm		SCALE	SHEET	
		1 : 1	1 / 1	

REV	ECN No.	DESCRIPTION	DESIGN	DATE
A		Release	吴丹平	2015.11.12



(PET膜剥离示意图)



列表一

Circuits	DIM. D	DIM. E	Q'ty/Reel	Packing (Reel/Caton)
02-06PIN	-	24	600PCS	15/Reel
07-08PIN	28.4	32	600PCS	11/Reel
09~14PIN	40.4	44	600PCS	8/Reel
15~16PIN	52.4	56	600PCS	7/Reel

- 包装说明:
- 把成品包入卷盘中, 每盘装600PCS, 卷盘上贴上合格证, 将装好产品的卷盘放进外箱中, 外箱内先套一个大PE袋, 外箱上贴贴上合格证.
 - 所有材料有害物控制需符合RoHS标准.

JKUN 温州健坤接插件有限公司 WENZHOU JKUN CONNECTOR CO., LTD.			TITLE:	
X.± 0.5	X.±'	USE:	CUSTOMER	
.X± 0.3	.X±'	APPD:	邵敬和	
.XX±0.25	.XX±'	CHKD:	田峰	
--	--	DR:	蒋建银	
UNITS: mm		SCALE		SHEET
		1 : 1		1 / 1