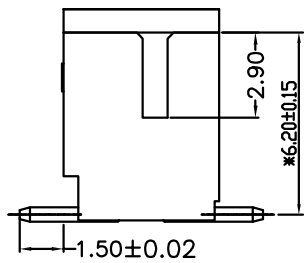
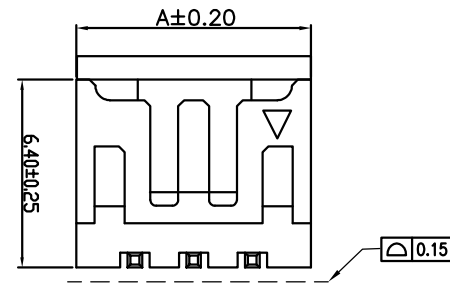
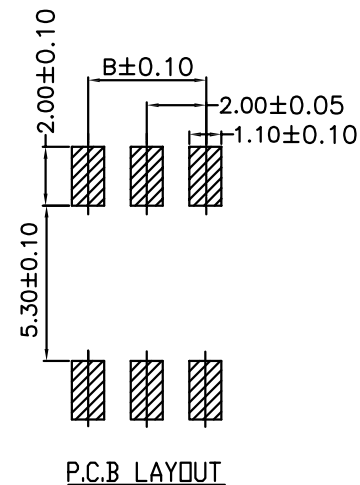
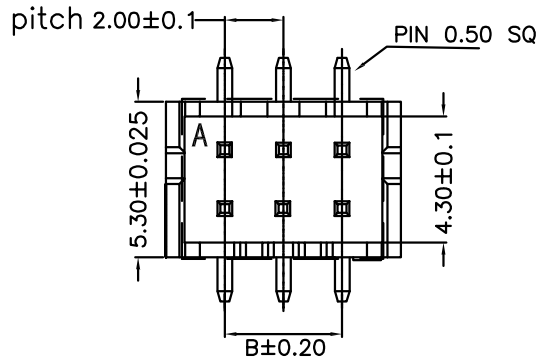


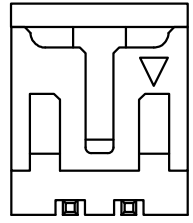
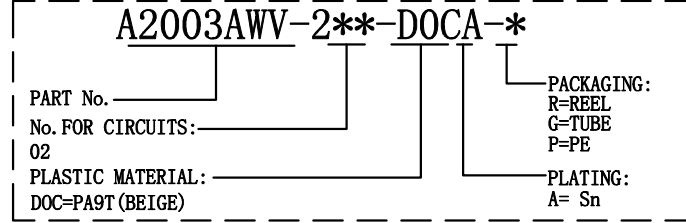
REV	DESCRIPTION	DESIGN	DATE
A0	Release	蒋建银	2016.11.22



### 主要技术参数 Main Specifications

线数 (Poles): 04 to 40  
 接触电阻 (Contact resistance):  $\leq 10m\Omega$   
 绝缘电阻 (Insulation resistance):  $\geq 1000M\Omega$   
 额定电压 (Rated voltage): 250V AC DC  
 额定电流 (Rated current): 3A AC DC  
 耐电压 (Withstand Voltage): 800V AC/minute  
 温度范围 (Temperature Range):  $-40^{\circ}C \sim +105^{\circ}C$

### ORDER INFORMATION:



2P 视图

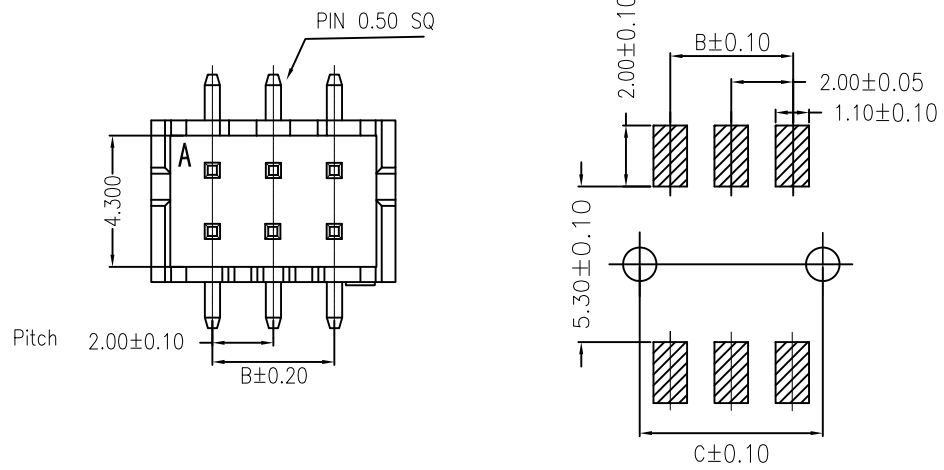
Circuits	Dimensions (mm)		Circuits	Dimensions (mm)	
	DIM. A	DIM. B		DIM. A	DIM. B
202 (2X2)	6.00	2.00	212 (2X12)	26.00	22.00
203 (2X3)	8.00	4.00	213 (2X13)	28.00	24.00
204 (2X4)	10.00	6.00	214 (2X14)	30.00	26.00
205 (2X5)	12.00	8.00	215 (2X15)	32.00	28.00
206 (2X6)	14.00	10.00	216 (2X16)	34.00	30.00
207 (2X7)	16.00	12.00	217 (2X17)	36.00	32.00
208 (2X8)	18.00	14.00	218 (2X18)	38.00	34.00
209 (2X9)	20.00	16.00	219 (2X19)	40.00	36.00
210 (2X10)	22.00	18.00	220 (2X20)	42.00	38.00
211 (2X11)	24.00	20.00			

ITEM	COMPONENT	Q'TY	MATERIAL	FINISH
C				
B	CONTACT	2 PCS	BRASS	Sn-plated
A	HOUSING	1 PCS	PA9T	UL 94V-0, COLOR:BEIGE

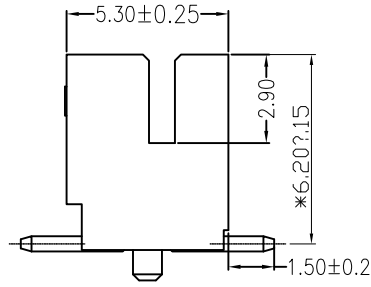
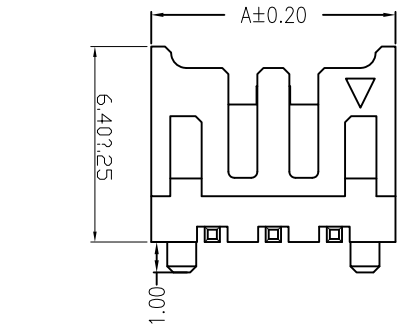
  

<b>JKUN温州健坤接插件有限公司</b> <b>WENZHOU JKUN CONNECTOR CO., LTD.</b>			<b>TITLE: -</b> 2.0mmPITCH 180°WAFER SMT TYPE	
X.±0.5	X.±5'	USE: CUSTOMER APPD: 王亮 CHKD: 曾令青	<b>PART NO.:</b> A2003AWV-2**-DOCA-*	
.X±0.3	.X±2'		<b>DWG NO.:</b> JKUN/GCCP-0818	
.XX±0.25	.XX±1'	DR: 蒋建银	<b>SCALE</b> 1 : 1	
--	--		<b>SHEET</b> 1 / 1	

REV	DESCRIPTION	DESIGN	DATE
AO	Release	蒋建银	2016.11.22



P.C.B LAYOUT



### 主要技术参数 Main Specifications

- 线数 (Poles): 04 to 40
- 接触电阻 (Contact resistance):  $\leq 10m\Omega$
- 绝缘电阻 (Insulation resistance):  $\geq 1000M\Omega$
- 额定电压 (Rated voltage): 250V AC DC
- 额定电流 (Rated current): 3A AC DC
- 耐电压 (Withstand Voltage): 800V AC/minute
- 温度范围 (Temperature Range):  $-40^{\circ}C \sim +105^{\circ}C$

### ORDER INFORMATION:

**A2003AWV-2\*\*-DOCA-\*-3**

PART No. \_\_\_\_\_

No. FOR CIRCUITS: \_\_\_\_\_

n \_\_\_\_\_

PLASTIC MATERIAL: \_\_\_\_\_

DOC=PA9T (BEIGE)

PACKAGING:  
R=REEL  
G=TUBE  
P=PE

PLATING:  
A= Sn

3=with positioning column

Circuits	Dimensions (mm)			Circuits	Dimensions (mm)		
	DIM. A	DIM. B	DIM. B		DIM. A	DIM. B	DIM. C
202 (2X2)	6.00	2.00	4.00	212 (2X12)	26.00	22.00	24.00
203 (2X3)	8.00	4.00	6.00	213 (2X13)	28.00	24.00	26.00
204 (2X4)	10.00	6.00	8.00	214 (2X14)	30.00	26.00	28.00
205 (2X5)	12.00	8.00	10.00	215 (2X15)	32.00	28.00	30.00
206 (2X6)	14.00	10.00	12.00	216 (2X16)	34.00	30.00	32.00
207 (2X7)	16.00	12.00	14.00	217 (2X17)	36.00	32.00	34.00
208 (2X8)	18.00	14.00	16.00	218 (2X18)	38.00	34.00	36.00
209 (2X9)	20.00	16.00	18.00	219 (2X19)	40.00	36.00	38.00
210 (2X10)	22.00	18.00	20.00	220 (2X20)	42.00	38.00	40.00
211 (2X11)	24.00	20.00	22.00				

ITEM	COMPONENT	Q'TY	MATERIAL	FINISH
C				
B	CONTACT	n PCS	BRASS	Sn-plated
A	HOUSING	1 PCS	PA9T	UL 94V-0, COLOR:BEIGE

**JKUN 温州健坤接插件有限公司**  
WENZHOU JKUN CONNECTOR CO., LTD.

TITLE: -  
2.0mmPITCH 180°WAFER SMT TYPE

USE: CUSTOMER

APPD: 刘振岭

CHKD: 王亮

DR: 蒋建银

PART NO.: A2003AWV-2\*\*-DOCA-\*-3

DWG NO.: JKUN/GCCP-0832

SCALE: 1 : 1

SHEET: 1 / 1

A | B | C | D | E | F

1

2

3

4

5

1

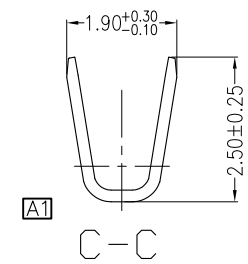
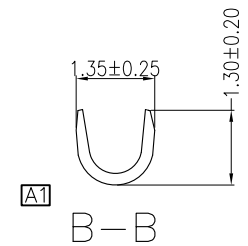
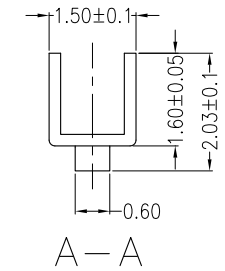
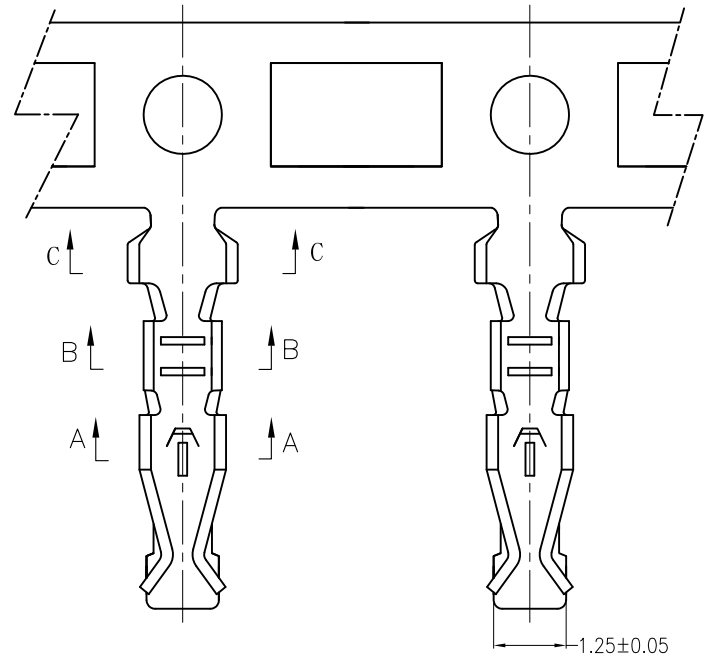
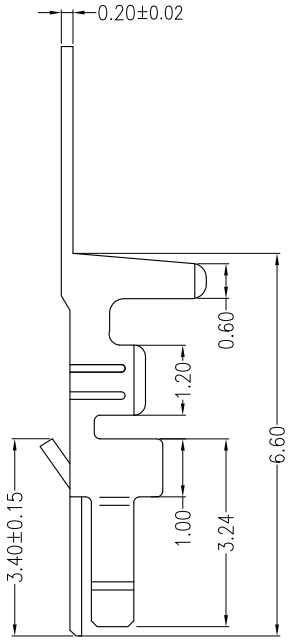
2

3

4

5

REV	ECN No.	DESCRIPTION	DESIGN	DATE
A0			吴丹平	2017.03.23
A1		未注公差确认标准	蒋建银	2021.11.19



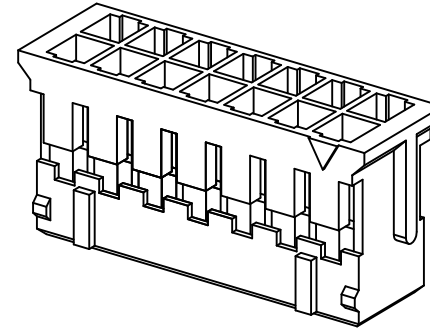
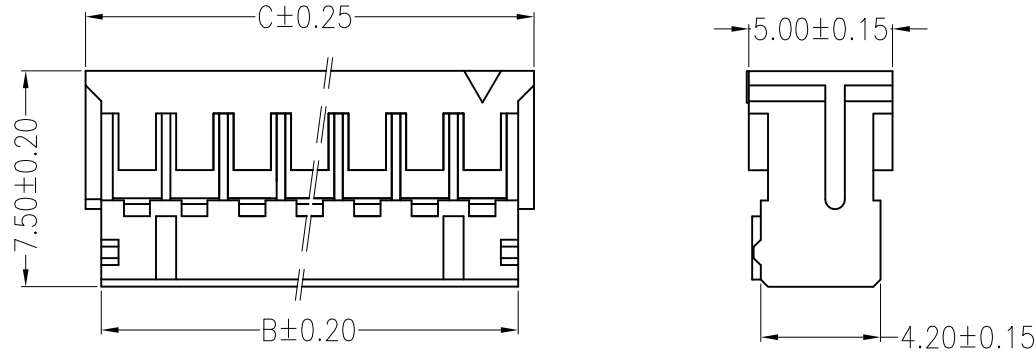
Ordering Information & Specification:

Part No	Wire Range	Insulation O. D.	Material	Finish	Qty/Reel
A2003T-02端子	AWG #24~#28	1.60mm(max)	Phosphor bronze	Tin-plated	10,000 pcs

<b>JKUN</b> 温州健坤接插件有限公司 WENZHOU JKUN CONNECTOR CO.,LTD.		TITLE: -	
X±0.3		USE: CUSTOMER	PART NO.: A2003T
.X±0.2	.X±3'	APPD: 邵敬和	DWG NO.: JKUN/GCDZ-0006
.XX±0.1		CHKD: 田峰	SCALE: 1 : 1
.XXX±0.05		DR: 吴丹平	SHEET: 1 / 1
UNITS: mm			

A B C D E F

REV	ECN No.	DESCRIPTION	DESIGN	DATE
A0		Release	吴丹平	2017.03.23

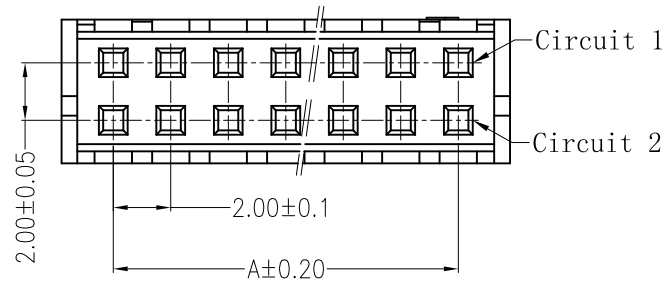


主要技术参数 Main Specifications

线 数 (Poles): 04 to 40  
 接触电阻 (Contact resistance):  $\leq 20m\Omega$   
 绝缘电阻 (Insulation resistance):  $\geq 1000M\Omega$   
 额定电压 (Rated voltage): 250V AC DC  
 额定电流 (Rated current): 2.0A AC DC  
 耐 电 压 (Withstand Voltage): 1000V AC/minute  
 温度范围 (Temperature Range):  $-25^{\circ}C \sim +85^{\circ}C$

ORDER INFORMATION:

<b>A2003Y-***-A6W-P</b>	
PART No.:	PACKAGING: P=PE
No. OF CIRCUITS: 2X2~2X20	PLASTIC MATERIAL: A6W=PA66 (WHITE)



Circuits	Dimensions (mm)			Circuits	Dimensions (mm)		
	A	B	C		A	B	C
202 (2X2)	2.00	4.50	5.90	212 (2X12)	22.00	24.50	25.90
203 (2X3)	4.00	6.50	7.90	213 (2X13)	24.00	26.50	27.90
204 (2X4)	6.00	8.50	9.90	214 (2X14)	26.00	28.50	29.90
205 (2X5)	8.00	10.50	11.90	215 (2X15)	28.00	30.50	31.90
206 (2X6)	10.00	12.50	13.90	216 (2X16)	30.00	32.50	33.90
207 (2X7)	12.00	14.50	15.90	217 (2X17)	32.00	34.50	35.90
208 (2X8)	14.00	16.50	17.90	218 (2X18)	34.00	36.50	37.90
209 (2X9)	16.00	18.50	19.90	219 (2X19)	36.00	38.50	39.90
210 (2X10)	18.00	20.50	21.90	220 (2X20)	38.00	40.50	41.90
211 (2X11)	20.00	22.50	23.90				

C				
B				
A	HOUSING	4~30 PCS	PA66	94-V0
ITEM	COMPONENT	Q'TY	MATERIAL	FINISH
<b>JKUN 温州健坤接插件有限公司</b> WENZHOU JKUN CONNECTOR CO.,LTD.				TITLE: - 2.00mmPITCH HOUSING
X.±0.5	X.±5'	USE:	PART NO.:	
.X±0.3	.X±2'	CUSTOMER	A2003Y-***-A6W-P	
.XX±0.25	.XX±1'	APPD: 邵敬和	DWG NO.:	
--	--	CHKD: 田峰	JKUN-GCCP-0536	
⊕	◁	UNITS: mm	DR: 吴丹平	SCALE
				SHEET
				1 : 1
				1 / 1

A B C D E F

1

2

3

4

5

1

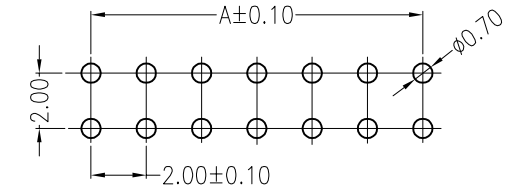
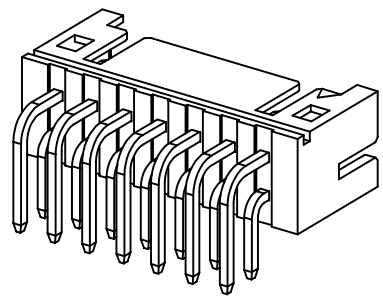
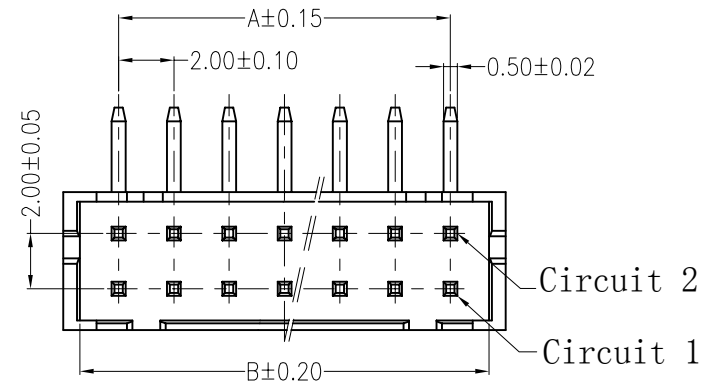
2

3

4

5

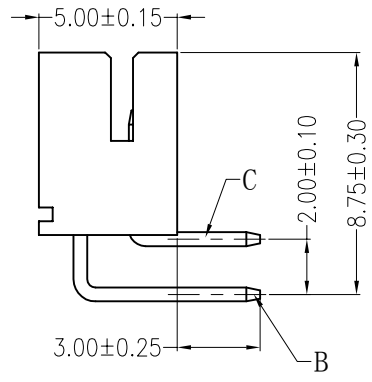
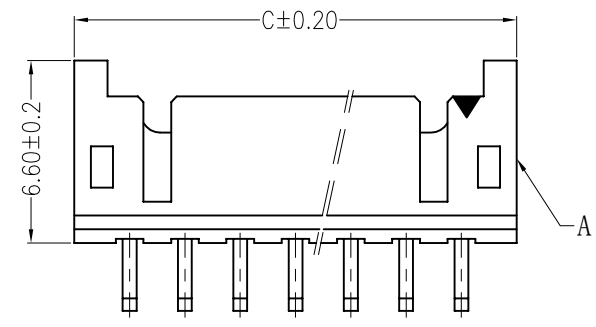
REV	ECN No.	DESCRIPTION	DESIGN	DATE
A0		Release	周秀龙	2017.11.16



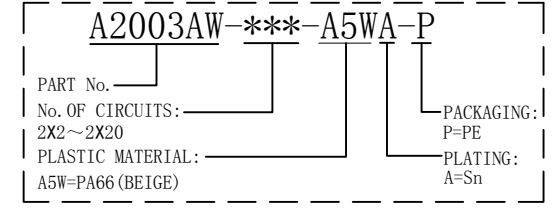
SUGGESTED PCB LAYOUT  
(COMPONENT SIDE)

主要技术参数 Main Specifications

- 线 数 (Poles): 02 to 16
- 接触电阻 (Contact resistance):  $\leq 20m\Omega$
- 绝缘电阻 (Insulation resistance):  $\geq 1000M\Omega$
- 额定电压 (Rated voltage): 250V AC DC
- 额定电流 (Rated current): 2.0A AC DC
- 耐 电压 (Withstand Voltage): 1000V AC/minute
- 温度范围 (Temperature Range):  $-25^{\circ}C \sim +85^{\circ}C$



ORDER INFORMATION:



Circuits	Dimensions (mm)			Circuits	Dimensions (mm)		
	A	B	C		A	B	C
202 (2X2)	2.00	4.70	5.90	212 (2X12)	22.00	24.70	25.90
203 (2X3)	4.00	6.70	7.90	213 (2X13)	24.00	26.70	27.90
204 (2X4)	6.00	8.70	9.90	214 (2X14)	26.00	28.70	29.90
205 (2X5)	8.00	10.70	11.90	215 (2X15)	28.00	30.70	31.90
206 (2X6)	10.00	12.70	13.90	216 (2X16)	30.00	32.70	33.90
207 (2X7)	12.00	14.70	15.90	217 (2X17)	32.00	34.70	35.90
208 (2X8)	14.00	16.70	17.90	218 (2X18)	34.00	36.70	37.90
209 (2X9)	16.00	18.70	19.90	219 (2X19)	36.00	38.70	39.90
210 (2X10)	18.00	20.70	21.90	220 (2X20)	38.00	40.70	41.90
211 (2X11)	20.00	22.70	23.90				

C	CONTACT	2~20 PCS	Brass	Sn-plated
B	CONTACT	2~20 PCS	Brass	Sn-plated
A	HOUSING	1 PCS	PA66	UL 94V-0, COLOR:BEIGE
ITEM	COMPONENT	Q'TY	MATERIAL	FINISH

**JKUN** 温州健坤接插件有限公司  
WENZHOU JKUN CONNECTOR CO.,LTD.

TITLE: -  
2.0mmPITCH 180°WAFER DIP TYEP

USE: CUSTOMER

APPD: 邵敬和

CHKD: 田峰

DR: 周秀龙

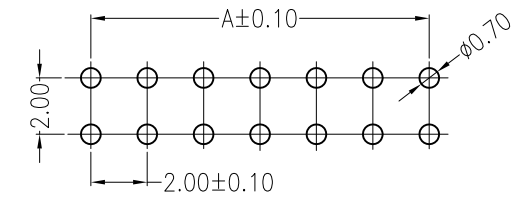
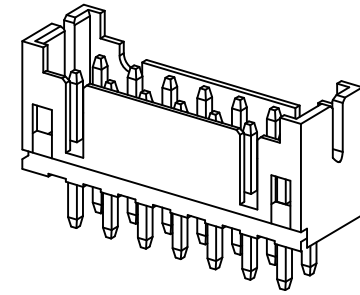
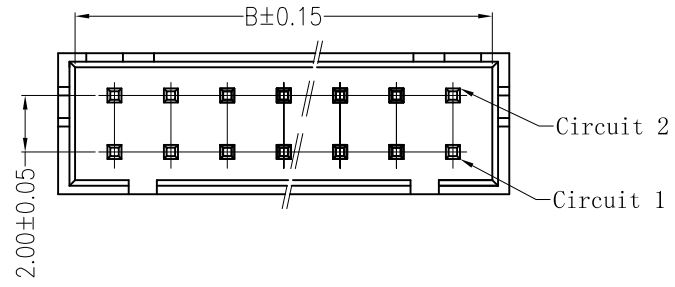
PART NO.: A2003AW-\*\*\*-A5WA-P

DWG NO.: JKUN-GCCP-0534

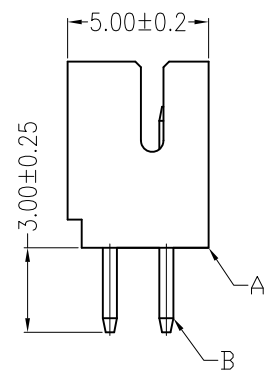
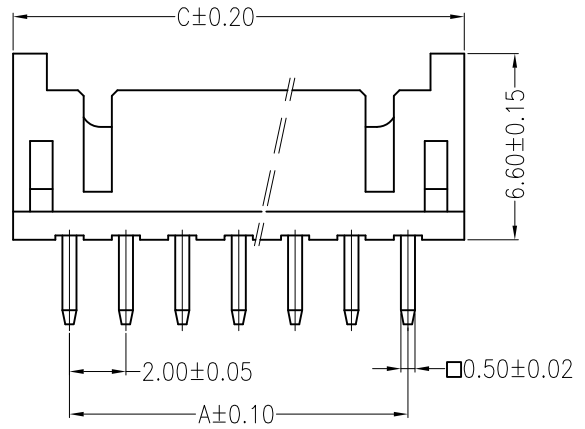
SCALE: 1 : 1

SHEET: 1 / 1

REV	ECN No.	DESCRIPTION	DESIGN	DATE
A0		Release	周秀龙	2017.11.16



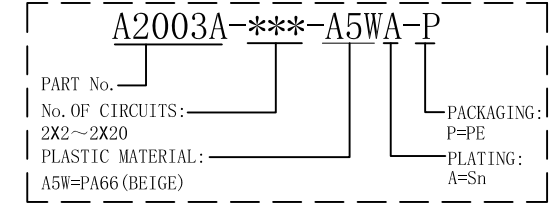
SUGGESTED PCB LAYOUT  
(COMPONENT SIDE)



主要技术参数 Main Specifications

- 线 数 (Poles): 02 to 16
- 接触电阻 (Contact resistance):  $\leq 20m\Omega$
- 绝缘电阻 (Insulation resistance):  $\geq 1000M\Omega$
- 额定电压 (Rated voltage): 250V AC DC
- 额定电流 (Rated current): 2.0A AC DC
- 耐 电压 (Withstand Voltage): 1000V AC/minute
- 温度范围 (Temperature Range):  $-25^{\circ}C \sim +85^{\circ}C$

ORDER INFORMATION:



Circuits	Dimensions (mm)			Circuits	Dimensions (mm)		
	A	B	C		A	B	C
202 (2X2)	2.00	4.70	5.90	212 (2X12)	22.00	24.70	25.90
203 (2X3)	4.00	6.70	7.90	213 (2X13)	24.00	26.70	27.90
204 (2X4)	6.00	8.70	9.90	214 (2X14)	26.00	28.70	29.90
205 (2X5)	8.00	10.70	11.90	215 (2X15)	28.00	30.70	31.90
206 (2X6)	10.00	12.70	13.90	216 (2X16)	30.00	32.70	33.90
207 (2X7)	12.00	14.70	15.90	217 (2X17)	32.00	34.70	35.90
208 (2X8)	14.00	16.70	17.90	218 (2X18)	34.00	36.70	37.90
209 (2X9)	16.00	18.70	19.90	219 (2X19)	36.00	38.70	39.90
210 (2X10)	18.00	20.70	21.90	220 (2X20)	38.00	40.70	41.90
211 (2X11)	20.00	22.70	23.90				

ITEM	COMPONENT	Q'TY	MATERIAL	FINISH
C				
B	CONTACT	4~40 PCS	Brass	Sn-plated
A	HOUSING	1 PCS	PA66	UL 94V-0, COLOR:BEIGE

**JKUN** 温州健坤接插件有限公司  
WENZHOU JKUN CONNECTOR CO.,LTD.

TITLE: -  
2.0mmPITCH 180\*WAFER DIP TYEP

X.±0.5	X.±5'	USE: CUSTOMER	PART NO.:	
.X±0.3	.X±2'		APPD: 邵敬和	A2003A-***-A5WA-P
.XX±0.25	.XX±1'		CHKD: 田峰	DWG NO.:
--	--		DR: 周秀龙	JKUN-GCCP-0533
UNITS: mm		DR: 周秀龙	SCALE: 1 : 1	
			SHEET: 1 / 1	