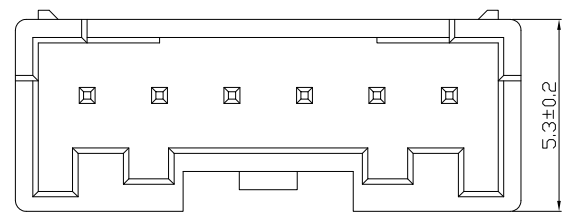
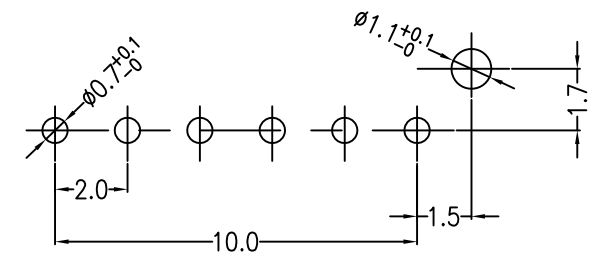
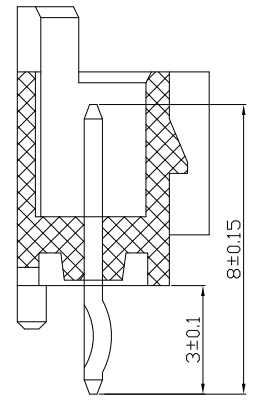
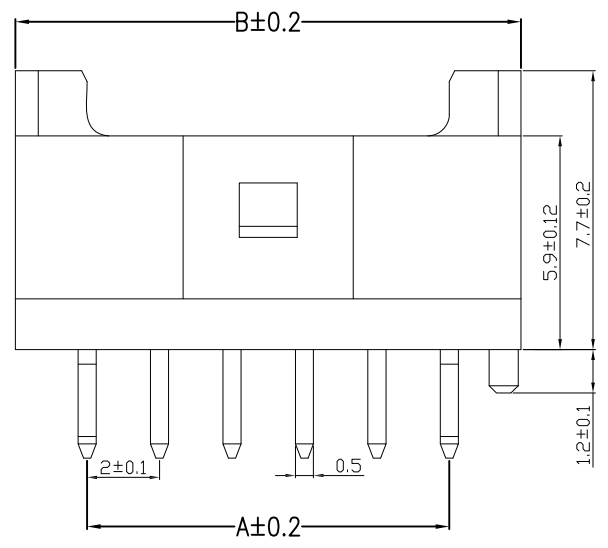


REV	DESCRIPTION	DESIGN	DATE
A0	NEW RELEASE	蒋建银	2019/06/27



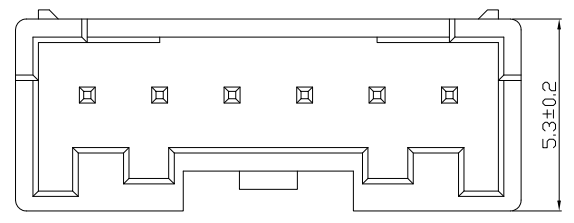
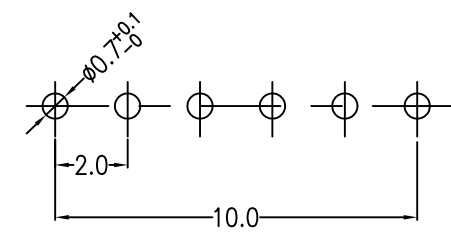
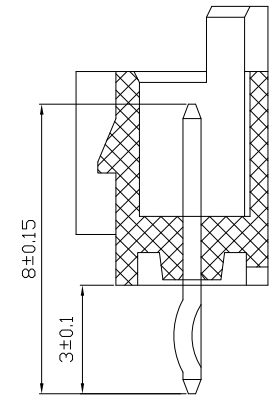
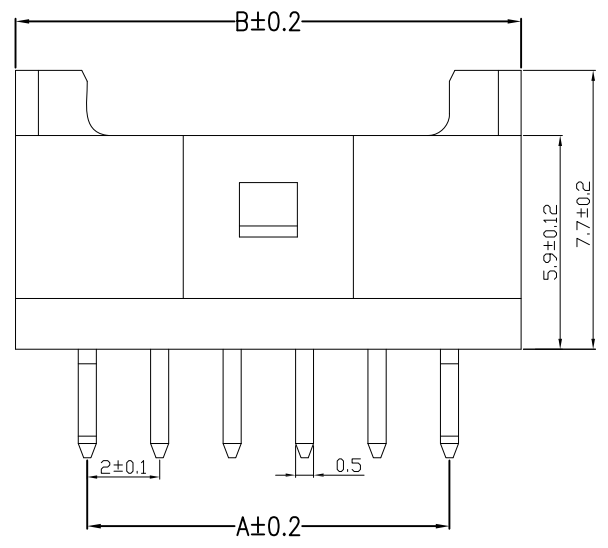
Specifications:

- Poles: 2~15P
- Contact resistance: $\leq 20m\Omega$
- Insulation resistance: $\geq 1000M\Omega$
- Rated voltage: 250V AC DC
- Rated current: 3.0A AC DC
- Withstand Voltage: 1000V AC/minute
- Temperature Range: $-25^{\circ}C \sim +85^{\circ}C$
- Housing: PA66 UL94V-0, Natural(White)
- Contacts: Brass/Sn-plated

B	6.0	8.0	10.0	12.0	14.0	16.0	18.0	20.0	22.0	24.0	26.0	28.0	30.0	32.0
A	2.0	4.0	6.0	8.0	10.0	12.0	14.0	16.0	18.0	20.0	22.0	24.0	26.0	28.0
孔数	2	3	4	5	6	7	8	9	10	11	12	13	14	15

JKUN 温州健坤接插件有限公司 WENZHOU JKUN CONNECTOR CO., LTD.		TITLE: -	
GENERAL TOLERANCE		USE:	PART NO.:
X. ±0.50	X. ±5°	CUSTOMER	A2008A-**-09P
X.X ±0.30	X.X ±2°	APPD: 刘振岭	DWG NO.:
X.XX ±0.20	X.XX ±1°	CHKD: 王亮	JKUN-GCKH-0824
UNITS: mm		DR: 蒋建银	SCALE
			1 : 1
			SHEET
			1 / 1

REV	DESCRIPTION	DESIGN	DATE
A0	NEW RELEASE	蒋建银	2019/06/27



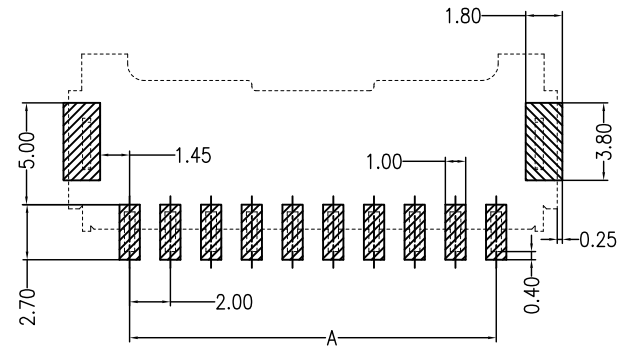
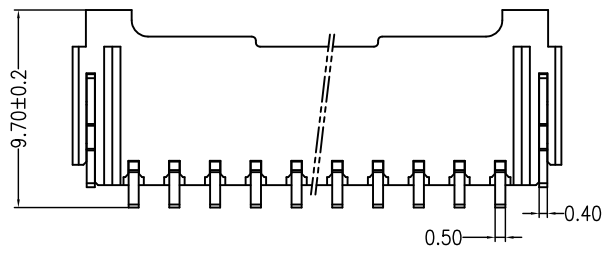
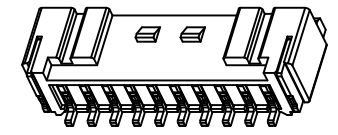
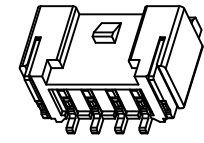
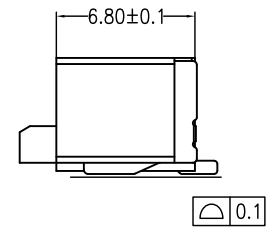
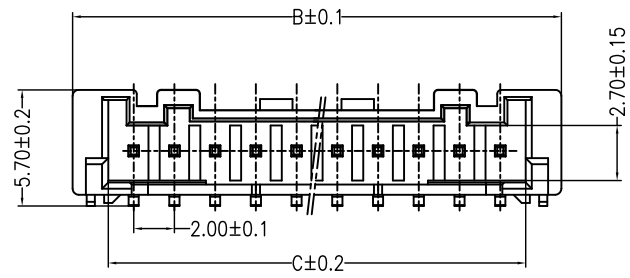
Specifications:

- Poles: 2~15P
- Contact resistance: $\leq 20m\Omega$
- Insulation resistance: $\geq 1000M\Omega$
- Rated voltage: 250V AC DC
- Rated current: 3.0A AC DC
- Withstand Voltage: 1000V AC/minute
- Temperature Range: $-25^{\circ}C \sim +85^{\circ}C$
- Housing: PA66 UL94V-0, Natural(White)
- Contacts: Brass/Sn-plated

B	6.0	8.0	10.0	12.0	14.0	16.0	18.0	20.0	22.0	24.0	26.0	28.0	30.0	32.0
A	2.0	4.0	6.0	8.0	10.0	12.0	14.0	16.0	18.0	20.0	22.0	24.0	26.0	28.0
孔数	2	3	4	5	6	7	8	9	10	11	12	13	14	15

JKUN 温州健坤接插件有限公司 WENZHOU JKUN CONNECTOR CO., LTD.		TITLE: PA直针打K无柱	
GENERAL TOLERANCE		USE: CUSTOMER	
X. ± 0.50	X. $\pm 5^{\circ}$	PART NO.: A2008A-**-08P	
X.X ± 0.30	X.X $\pm 2^{\circ}$	DWG NO.: -	
X.XX ± 0.20	X.XX $\pm 1^{\circ}$	SCALE 1 : 1	
UNITS: mm		SHEET 1 / 1	
DR: 蒋建银			

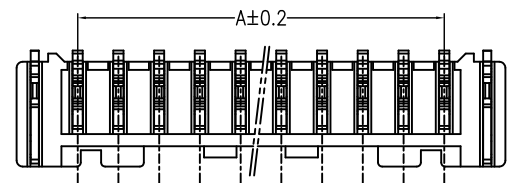
REV	DESCRIPTION	DESIGN	DATE
A0	NEW RELEASE	蒋建银	2018/04/07



PCB LAYOUT

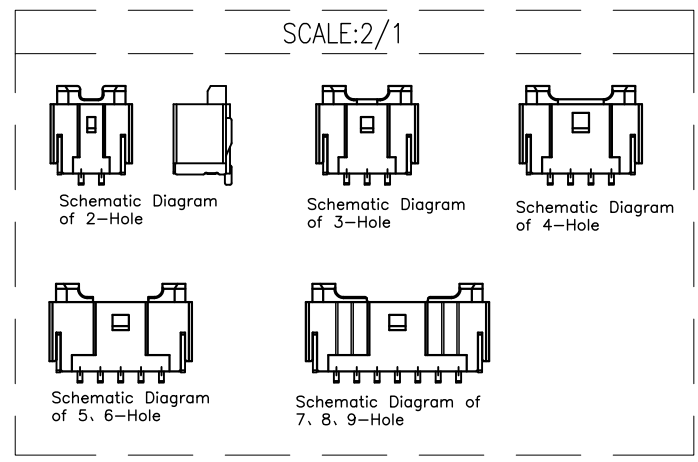
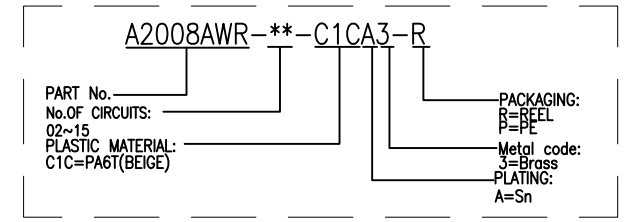
Specifications:

- Poles: 02 to 15
- Contact resistance: $\leq 20m\Omega$
- Insulation resistance: $\geq 1000M\Omega$
- Rated voltage: 250V AC DC
- Rated current: 3.0A AC DC
- Withstand Voltage: 800V AC/minute
- Temperature Range: $-25^{\circ}C \sim +85^{\circ}C$
- Housing: PA6T UL94V-0, Natural(Beige)
- CAP: PA6T UL94V-0, Natural(Beige)
- Contacts: Brass/Sn-plated
- Solder Tabs: Brass/Sn-plated



Schematic Diagram of 10, 11, 12, 13, 14, 15-Hole

ORDER INFORMATION:



PIN.	DIM A	DIM B	DIM C
2pin	2.00	8.00	4.55
3pin	4.00	10.00	6.55
4pin	6.00	12.00	8.55
5pin	8.00	14.00	10.55
6pin	10.00	16.00	12.55
7pin	12.00	18.00	14.55
8pin	14.00	20.00	16.55
9pin	16.00	22.00	18.55
10pin	18.00	24.00	20.55
11pin	20.00	26.00	22.55
12pin	22.00	28.00	24.55
13pin	24.00	30.00	26.55
14pin	26.00	32.00	28.55
15pin	28.00	34.00	30.55

JKUN 温州健坤接插件有限公司
WENZHOU JKUN CONNECTOR CO.,LTD.

TITLE: 2.00mmPITCH 90°WAFER SMT TYPE

GENERAL TOLERANCE	
X. ±0.50	X. ±5°
X.X ±0.30	X.X ±2°
X.XX ±0.20	X.XX ±1°

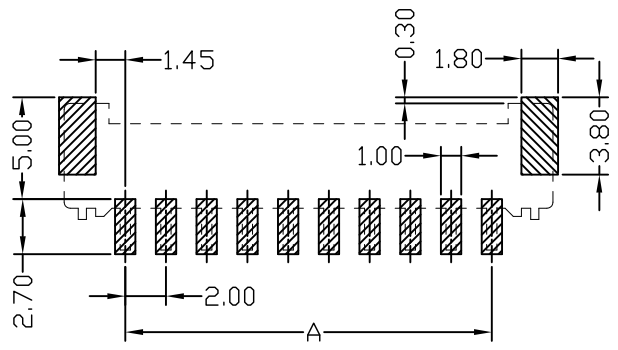
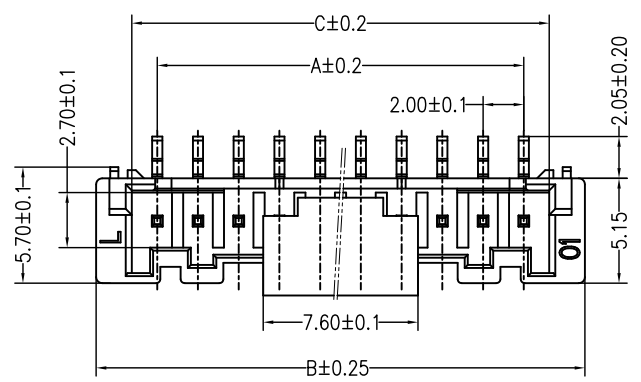
USE: CUSTOMER
APPD: 刘振岭
CHKD: 王亮
DR: 蒋建银

PART NO.: A2008AWR-**-C1CA3-R	
DWG NO.: JKUN-GCCP-0738	
SCALE: 1:1	SHEET: 1/1

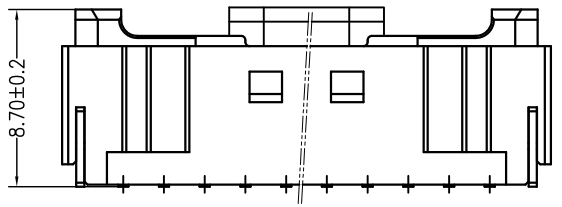
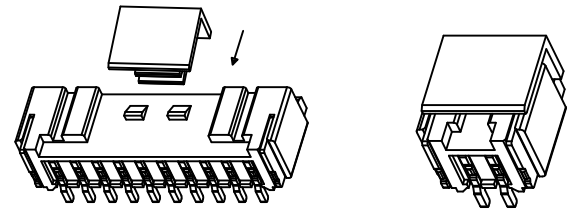


UNITS: mm

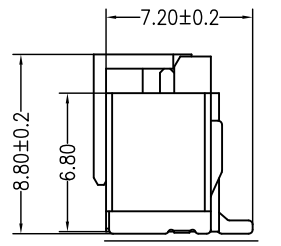
REV	DESCRIPTION	DESIGN	DATE
A0	NEW RELEASE	蒋建银	2018/04/07



PCB LAYOUT



Schematic Diagram of 10、11、12、13、14、15-Hole

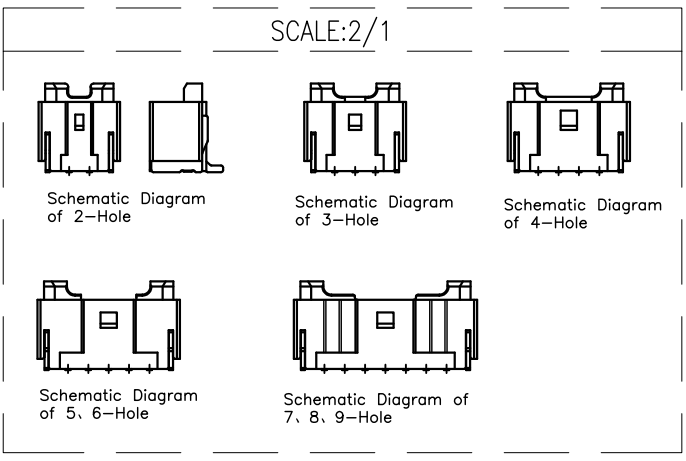
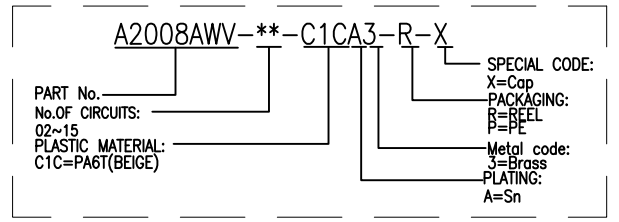


0.1

Specifications:

- Poles: 02 to 15
- Contact resistance: ≤20mΩ
- Insulation resistance: ≥1000MΩ
- Rated voltage: 250V AC DC
- Rated current: 3.0A AC DC
- Withstand Voltage: 800V AC/minute
- Temperature Range: -25°C ~ +85°C
- Housing: PA6T UL94V-0, Natural (Beige)
- CAP: PA6T UL94V-0, Natural (Beige)
- Contacts: Brass/Sn-plated
- Solder Tabs: Brass/Sn-plated

ORDER INFORMATION:



PIN.	DIM A	DIM B	DIM C
2pin	2.00	8.00	4.55
3pin	4.00	10.00	6.55
4pin	6.00	12.00	8.55
5pin	8.00	14.00	10.55
6pin	10.00	16.00	12.55
7pin	12.00	18.00	14.55
8pin	14.00	20.00	16.55
9pin	16.00	22.00	18.55
10pin	18.00	24.00	20.55
11pin	20.00	26.00	22.55
12pin	22.00	28.00	24.55
13pin	24.00	30.00	26.55
14pin	26.00	32.00	28.55
15pin	28.00	34.00	30.55

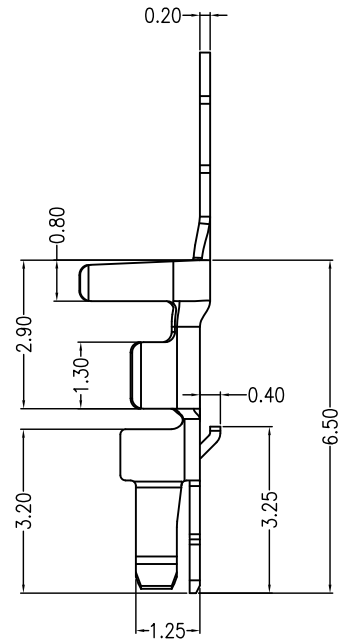
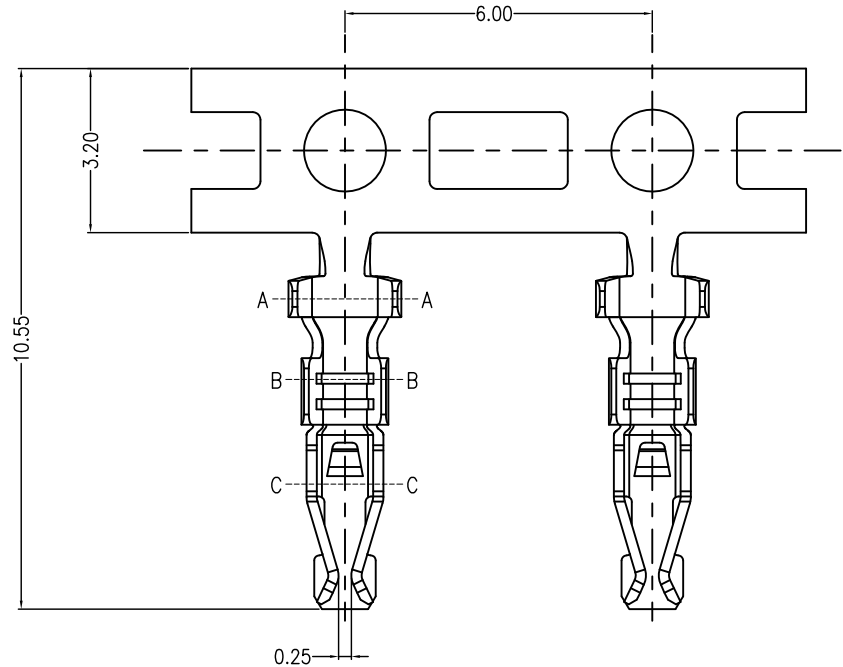
JKUN 温州健坤接插件有限公司
WENZHOU JKUN CONNECTOR CO.,LTD.

GENERAL TOLERANCE	
X. ±0.50	X. ±5°
X.X ±0.30	X.X ±2°
X.XX ±0.20	X.XX ±1°

USE: CUSTOMER
 APPD: 刘振岭
 CHKD: 王亮
 DR: 蒋建银

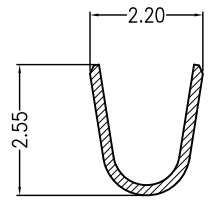
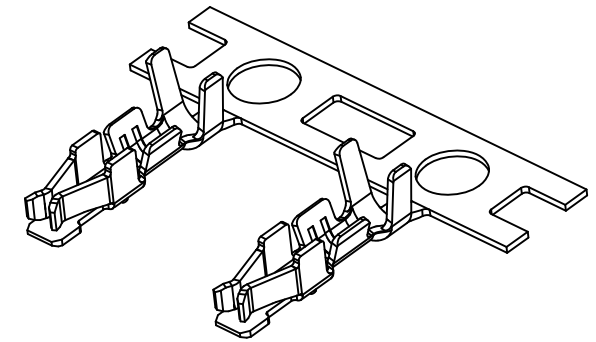
TITLE: 2.00mmPITCH 180°WAFER SMT TYPE	
PART NO.: A2008AWV-**-C1CA3-R-X	
DWG NO.: JKUN-GCCP-0742	
SCALE 1 : 1	SHEET 1 / 1

REV	DESCRIPTION	DESIGN	DATE
A	NEW RELEASE	Lingqing	2022/10/07

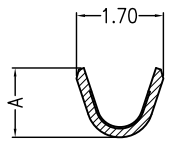


Specifications:

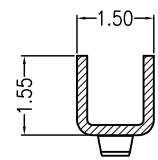
Contact resistance: $\leq 10\text{m}\Omega$
 Insulation resistance: $\geq 1000\text{M}\Omega$
 Rated voltage: 250V AC DC
 Rated current: 3.0A AC DC (AWG#22)
 Withstand Voltage: 800V AC/minute
 Temperature Range: $-25^{\circ}\text{C} \sim +85^{\circ}\text{C}$
 Contacts: Phosphor Bronze Sn-plated
 Wire Range: AWG#28~22
 Insulation O.D.: $\phi 1.50\text{mm}$ Max



SECTION A-A



SECTION B-B

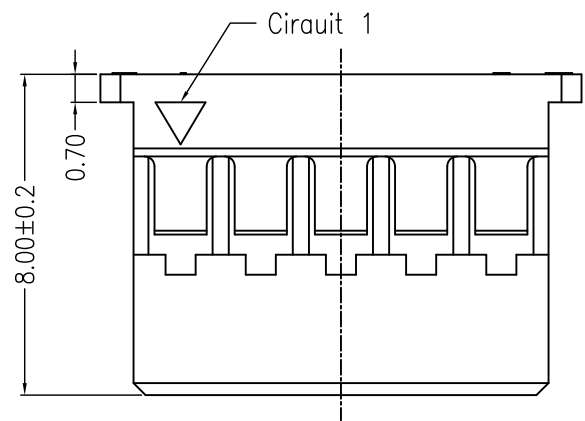
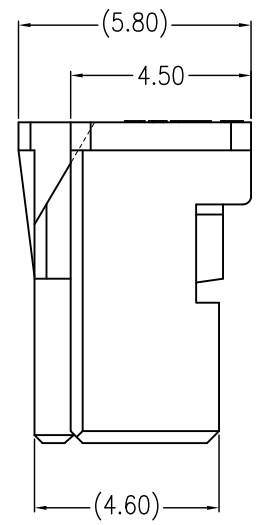
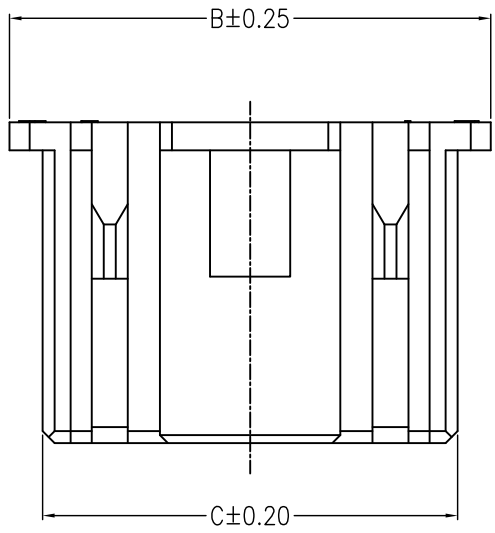
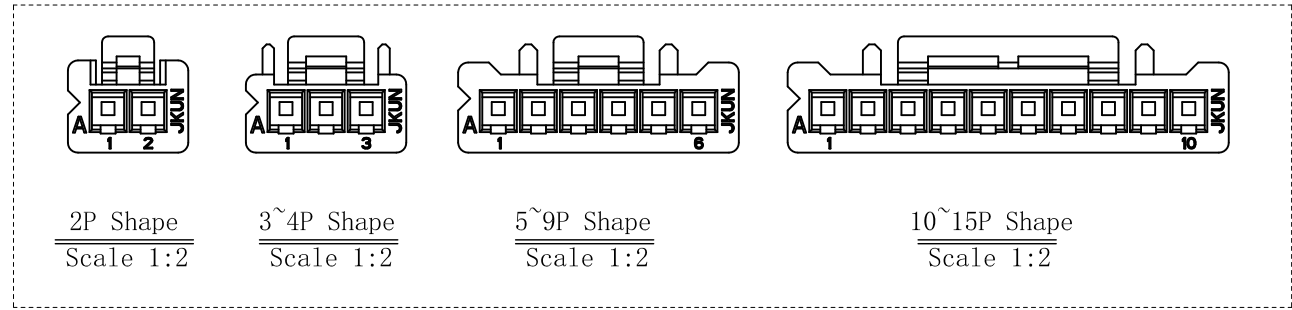
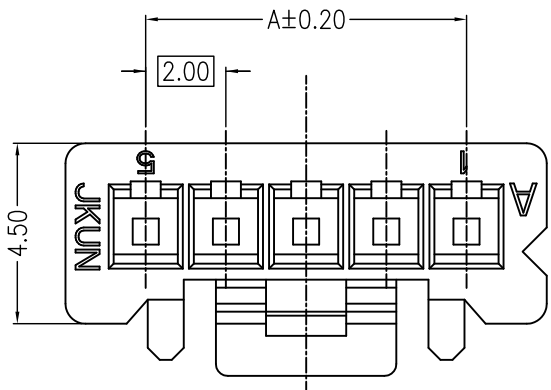


SECTION C-C

Model No.	Dimensions (mm)	
	A	Wire size
A2008T-01	1.35	AWG#28~26
A2008T-02	1.60	AWG#24~22

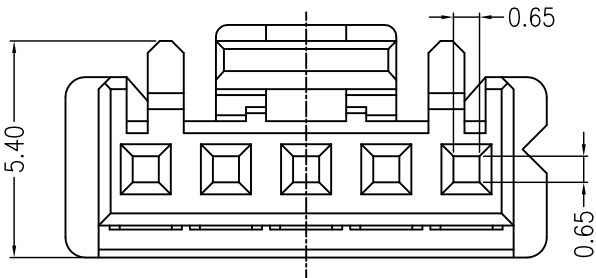
JKUN 温州健坤接插件有限公司 WENZHOU JKUN CONNECTOR CO.,LTD.		TITLE: MX 2.00 Terminal	
GENERAL TOLERANCE		USE: CUSTOMER	PART NO.:
X. ± 0.50	X. $\pm 5^{\circ}$	APPD: Zhuzhigang	A2008T-01/02 Terminal
X.X ± 0.30	X.X $\pm 2^{\circ}$	CHKD: Zenglingqing	DWG NO.:
X.XX ± 0.20	X.XX $\pm 1^{\circ}$	DR: Jiangjianying	JKUN-GCDZ-0107
UNITS: mm		SCALE 1 : 1	SHEET 1 / 1

REV	DESCRIPTION	DESIGN	DATE
A	NEW RELEASE	Lingqing	2022/10/07



Specifications:
 Contact resistance: ≤10mΩ
 Insulation resistance: ≥1000MΩ
 Rated voltage: 250V AC DC
 Rated current: 3.0A AC DC
 Withstand Voltage: 800V AC/minute
 Temperature Range: -20°C ~ +85°C
 Housing: PA66 UL94V-0, Natural

PIN.	Dimensions (mm)			PIN.	Dimensions (mm)		
	A	B	C		A	B	C
02	2.00	6.00	4.35	09	16.00	20.00	18.35
03	4.00	8.00	6.35	10	18.00	22.00	20.35
04	6.00	10.00	8.35	11	20.00	24.00	22.35
05	8.00	12.00	10.35	12	22.00	26.00	24.35
06	10.00	14.00	12.35	13	24.00	28.00	26.35
07	12.00	16.00	14.35	14	26.00	30.00	28.35
08	14.00	18.00	16.35	15	28.00	32.00	30.35



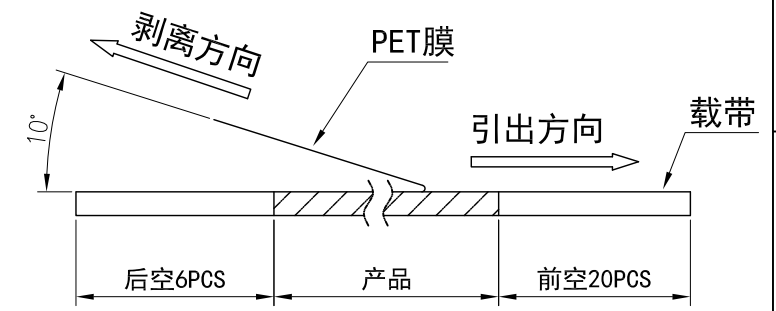
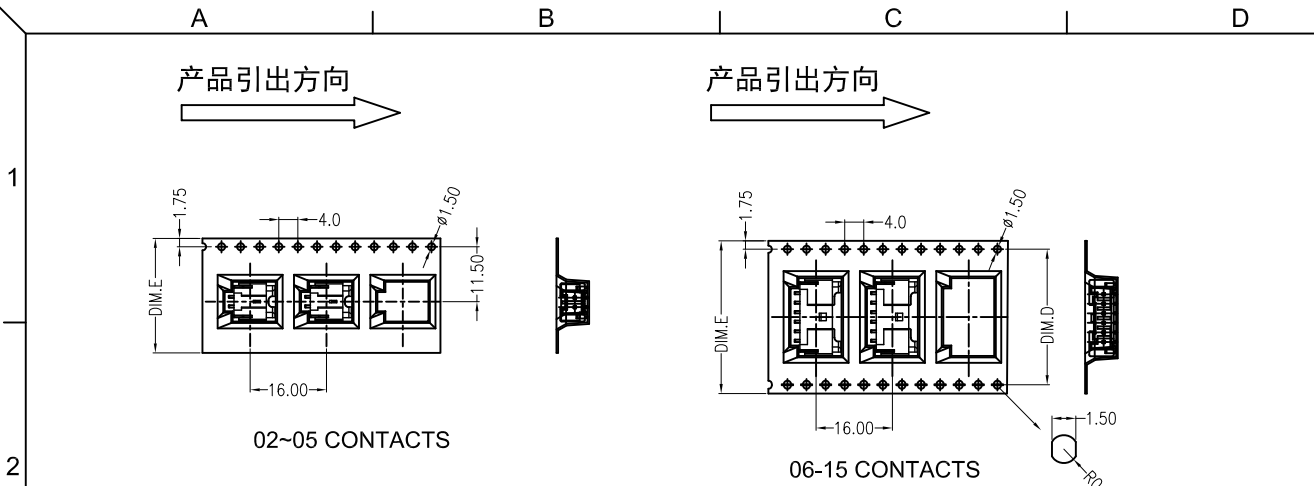
ORDER INFORMATION:
 A2008Y-**-A7W-P
 PART No. _____
 No. OF CIRCUITS: _____
 02~15
 PLASTIC MATERIAL: _____
 A7W=PA66(Natural)
 PACKAGING: P=PE

JKUN 温州健坤接插件有限公司
 WENZHOU JKUN CONNECTOR CO.,LTD.

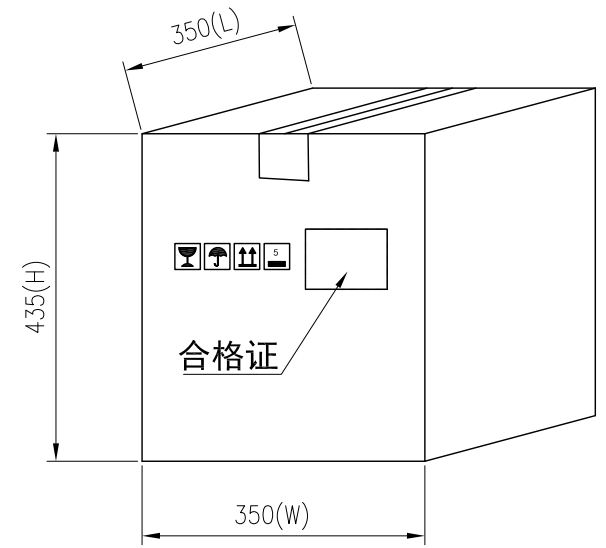
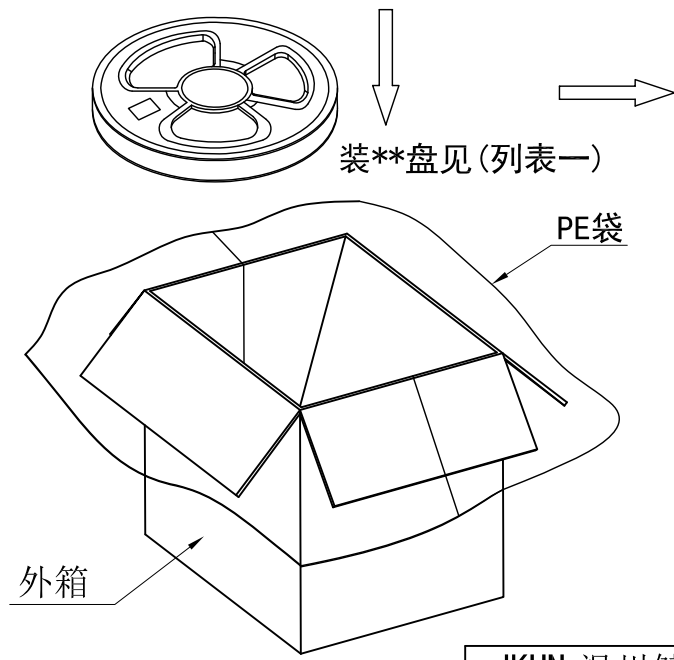
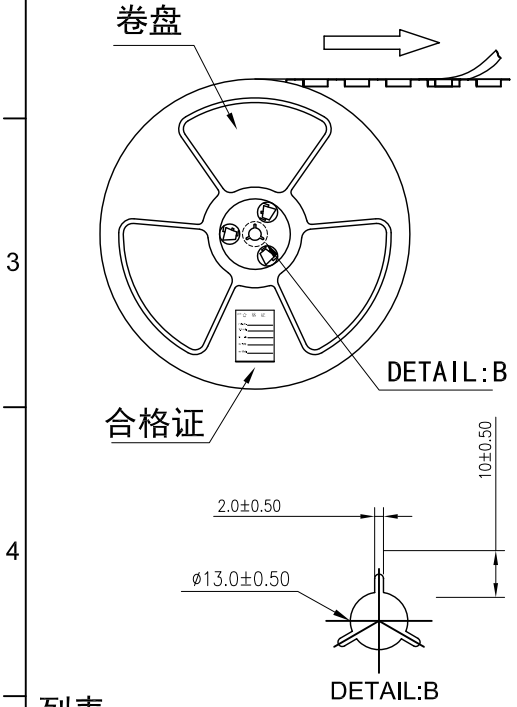
TITLE: 2.00mm PITCH Housing

GENERAL TOLERANCE	USE:	PART NO.:
X. ±0.50	CUSTOMER	A2008Y-**-A7W-P
X.X ±0.30	APPD: Zhuzhigang	DWG NO.:
X.XX ±0.20	CHKD: Zenglingqing	JKUN-GCKH-1542
UNITS: mm	DR: Jiangjianying	SCALE: 1:1
		SHEET: 1/1

REV	ECN No.	DESCRIPTION	DESIGN	DATE
A		Release	蒋建银	2019.08.29



(PET膜剥离示意图)



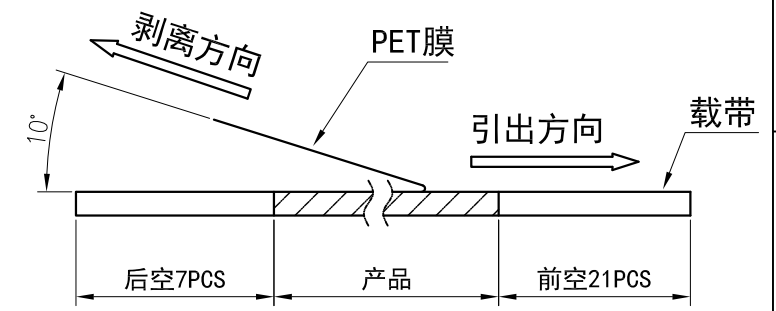
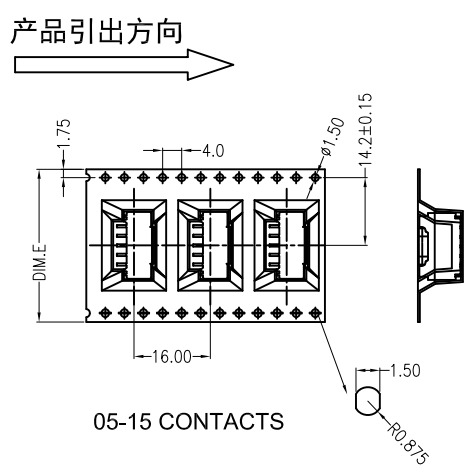
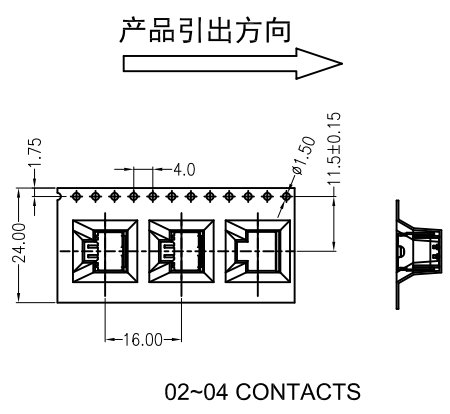
列表一

Circuits	DIM. D	DIM. E	Q'ty/Reel	Packing (Reel/Caton)
02~05PIN	-	24	700PCS	15/Reel
06~08PIN	28.4	32	700PCS	11/Reel
09~14PIN	40.4	44	700PCS	8/Reel
15PIN	52.4	56	700PCS	7/Reel

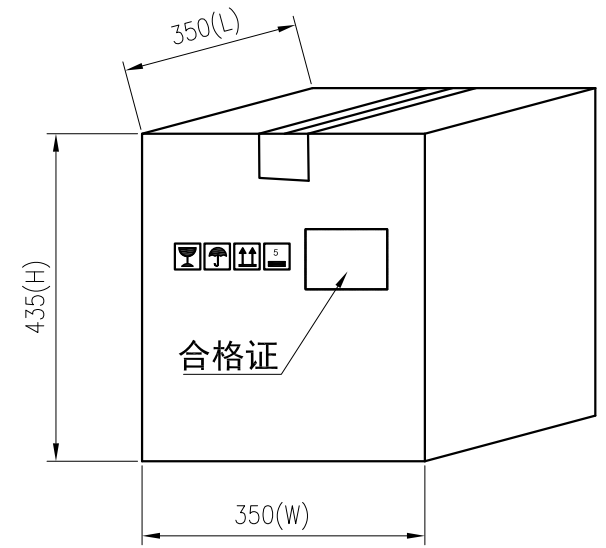
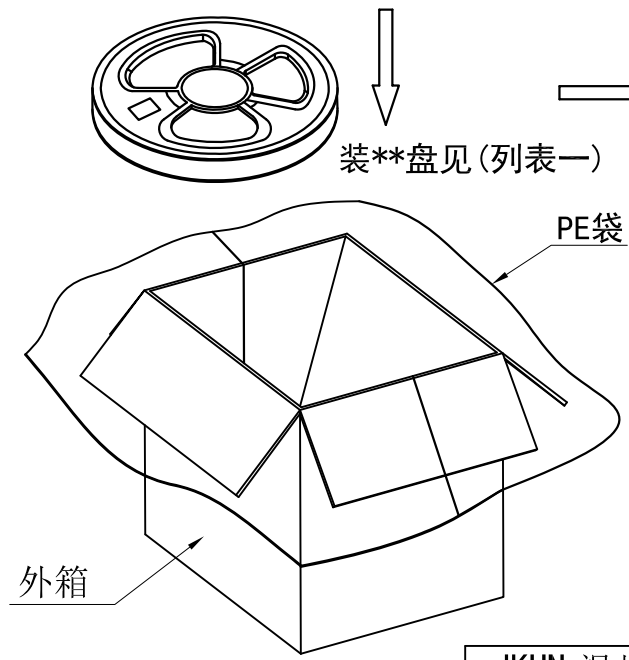
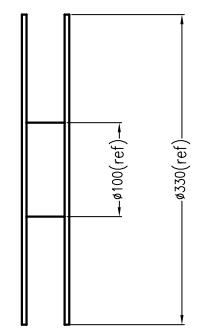
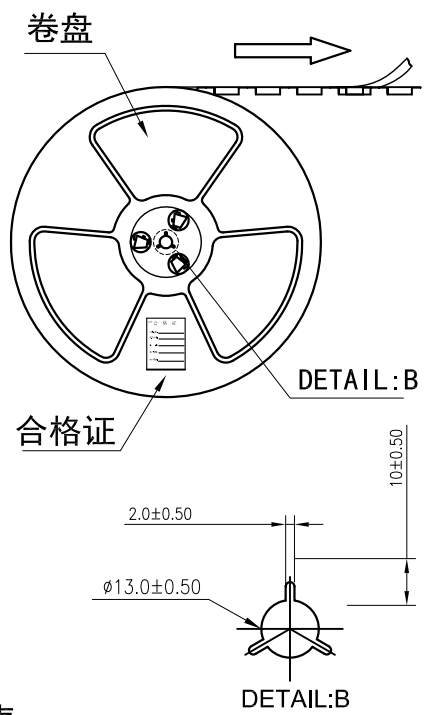
- 包装说明:
- 把成品包入卷盘中, 每盘装700PCS, 卷盘上贴上合格证, 将装好产品的卷盘放进外箱中, 外箱内先套一个大PE袋, 外箱上贴贴上合格证.
 - 所有材料有害物控制需符合RoHS标准.

JKUN 温州健坤接插件有限公司 WENZHOU JKUN CONNECTOR CO., LTD.			TITLE:	
X.± 0.5	X.±*	USE: CUSTOMER	PART NO.:	
.X± 0.3	.X±*		A2008AWR 卷装(700PCS)	
.XX±0.25	.XX±*	APPD: 刘振岭	DWG NO.:	
--	--	CHKD: 王亮	JKUN-GCBZ-0738	
⊕	◁	UNITS: mm	DR: 蒋建银	SCALE 1 : 1
			SHEET 1 / 1	

REV	ECN No.	DESCRIPTION	DESIGN	DATE
A		Release	蒋建银	2018.06.21
B		增补缺失孔位	蒋建银	2022.01.21



(PET膜剥离示意图)



列表一

Circuits	DIM. D	DIM. E	Q'ty/Reel	Packing (Reel/Caton)
02~04PIN	-	24	500PCS	15/Reel
05~07PIN	-	32	500PCS	11/Reel
08~14PIN	-	44	500PCS	8/Reel
15PIN	-	56	500PCS	7/Reel

包装说明:

- 把成品包入卷盘中, 每盘装500PCS, 卷盘上贴上合格证, 将装好产品的卷盘放进外箱中, 外箱内先套一个大PE袋, 外箱上贴贴上合格证.
- 所有材料有害物控制需符合RoHS标准.

JKUN 温州健坤接插件有限公司 WENZHOU JKUN CONNECTOR CO., LTD.			TITLE:	
X.± 0.5	X.±'	USE:	CUSTOMER	
.X± 0.3	.X±'	APPD:	谭龙清	
.XX±0.25	.XX±'	CHKD:	田峰	
--	--	DR:	蒋建银	
UNITS: mm		SCALE		SHEET
		1 : 1		1 / 1

PART NO.:	
A2008AWW 卷装	
DWG NO.:	
JKUN-GCBZ-0742	
SCALE	SHEET
1 : 1	1 / 1