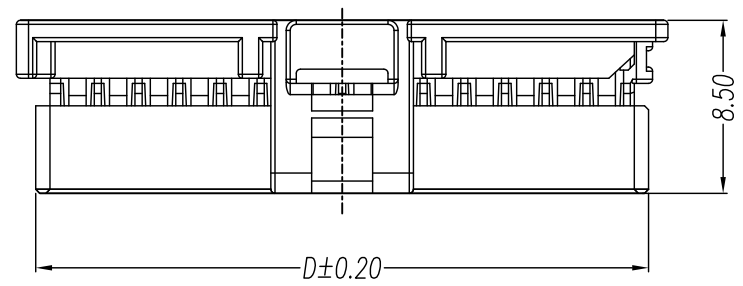
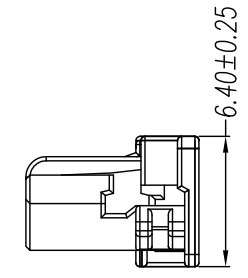
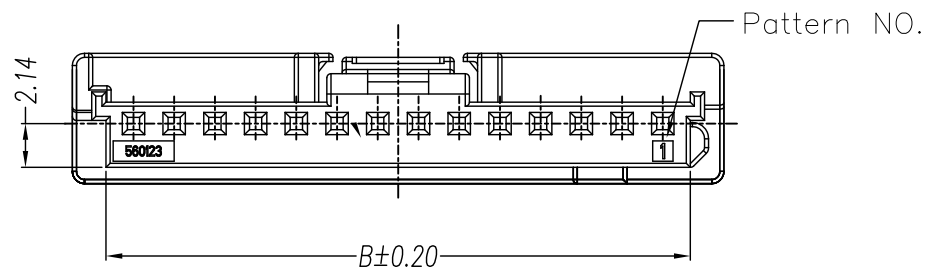
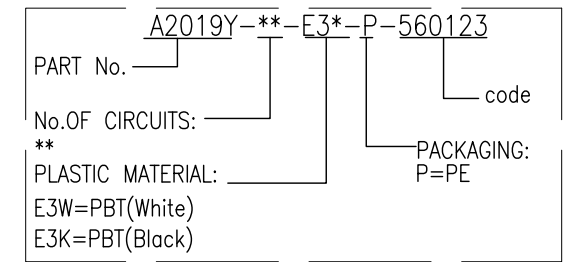


REV	DESCRIPTION	DESIGN	DATE
A	NEW RELEASE	方松乐	2022/02/12

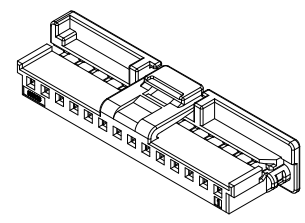
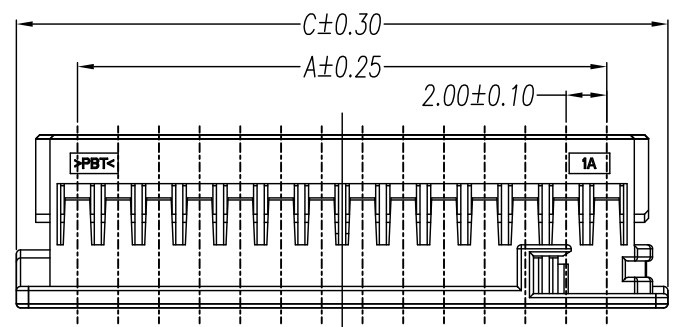


Specifications:
 Contact resistance: ≤10mΩ
 Insulation resistance: ≥1000MΩ
 Rated voltage: 125V AC DC
 Rated current: 3.0A AC DC
 Withstand Voltage: 500V AC/minute
 Temperature Range: -40°C ~ +125°C
 Housing: PBT UL94V-0, Natural

ORDER INFORMATION:



PIN.	DIM A	DIM B	DIM C	DIM D	PIN.	DIM A	DIM B	DIM C	DIM D
2pin	2.00	4.70	8.00	6.10	9pin	16.00	18.70	22.00	20.10
3pin	4.00	6.70	10.00	8.10	10pin	18.00	20.70	24.00	22.10
4pin	6.00	8.70	12.00	10.10	11pin	20.00	22.70	26.00	24.10
5pin	8.00	10.70	14.00	12.10	12pin	22.00	24.70	28.00	26.10
6pin	10.00	12.70	16.00	14.10	13pin	24.00	26.70	30.00	28.10
7pin	12.00	14.70	18.00	16.10	14pin	26.00	28.70	32.00	30.10
8pin	14.00	16.70	20.00	18.10	15pin	28.00	30.70	34.00	32.10



JKUN 温州健坤接插件有限公司 WENZHOU JKUN CONNECTOR CO.,LTD.		TITLE: 2.00mm Housing
GENERAL TOLERANCE		PART NO.:
X. ±0.50	X. ±5°	A2019Y-**-E3*-P-560123
X.X ±0.30	X.X ±2°	DWG NO.:
X.XX ±0.20	X.XX ±1°	JKUN-GCKH-0963
UNITS: mm	USE: CUSTOMER	SCALE 1 : 1
	APPD: 张忠永	SHEET 1 / 2
	CHKD: 曾令青	
	DR: 方松乐	

A

B

C

D

E

F

REV	DESCRIPTION	DESIGN	DATE
A	NEW RELEASE	方松乐	2022/02/12

1

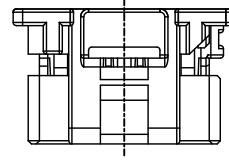
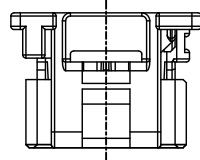
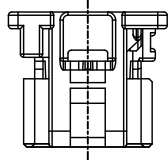
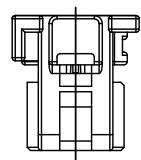
1

2Y

3Y

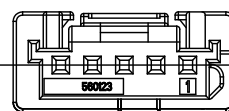
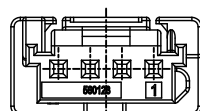
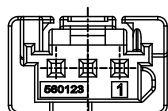
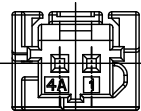
4Y

5Y



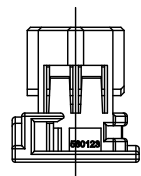
2

2



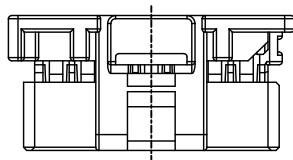
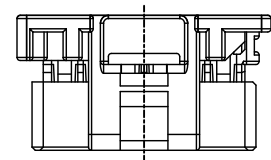
3

3



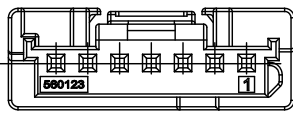
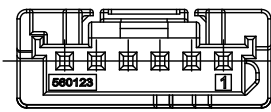
6Y

7-15Y



4

4



5

5

A

B

C

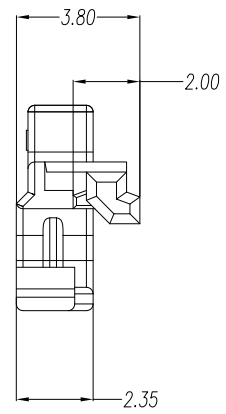
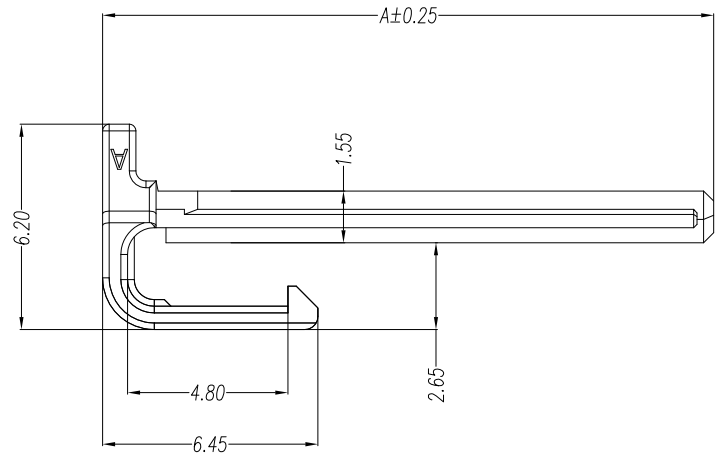
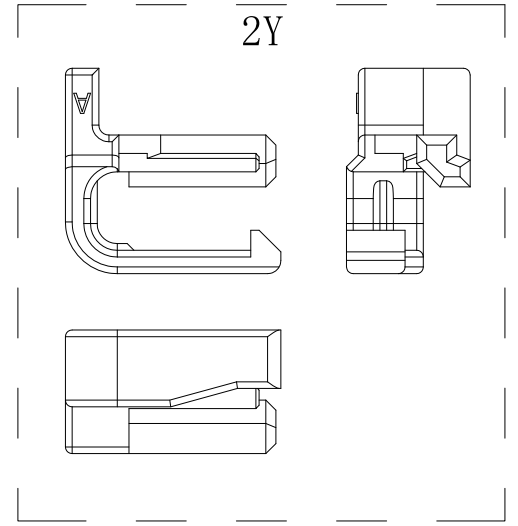
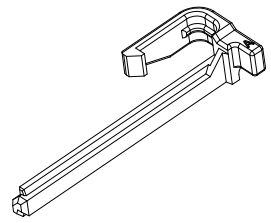
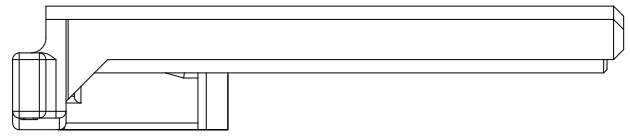
D

E

F

JKUN 温州健坤接插件有限公司 WENZHOU JKUN CONNECTOR CO.,LTD.		TITLE: 2.00mm Housing	
GENERAL TOLERANCE		USE: CUSTOMER	PART NO.:
X. ±0.50	X. ±5°	APPD: 张忠永	A2019Y-**-E3*-P-560123
X.X ±0.30	X.X ±2°	CHKD: 曾令青	DWG NO.:
X.XX ±0.20	X.XX ±1°	DR: 方松乐	JKUN-GCKH-0963
UNITS: mm		SCALE 1 : 1	SHEET 2 / 2

REV	DESCRIPTION	DESIGN	DATE
A	NEW RELEASE	方松乐	2022/02/12



ORDER INFORMATION:

A2019PS-**-E3G-P

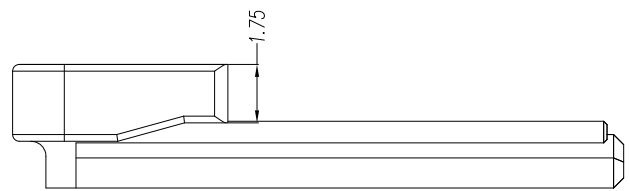
PART No. _____ PACKAGING: P=PE

No.OF CIRCUITS: _____

**

PLASTIC MATERIAL: _____

E3G=PBT (Gray)



PIN.	DIM A	PIN.	DIM A
2pin	6.30	9pin	20.30
3pin	8.30	10pin	22.30
4pin	10.30	11pin	24.30
5pin	12.30	12pin	26.30
6pin	14.30	13pin	28.30
7pin	16.30	14pin	30.30
8pin	18.30	15pin	32.30

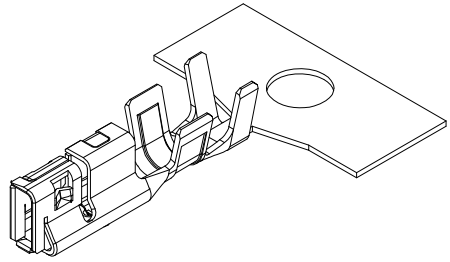
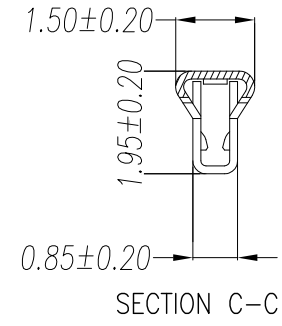
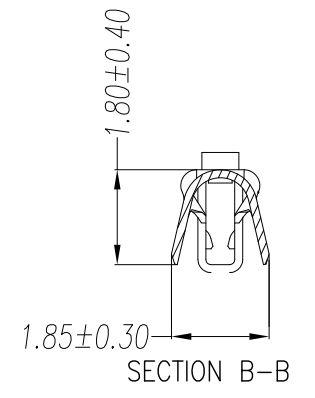
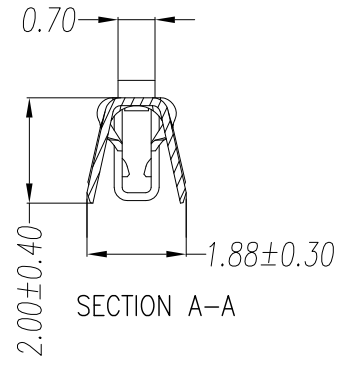
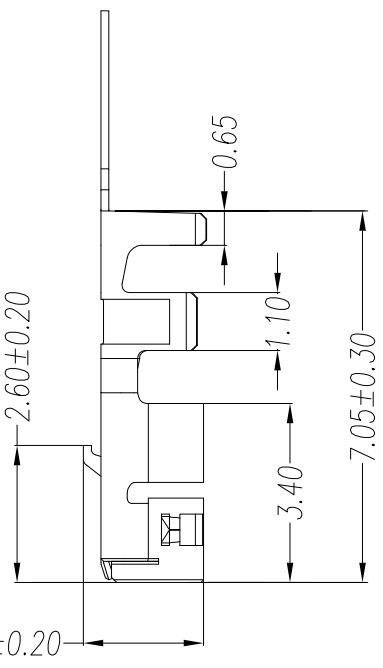
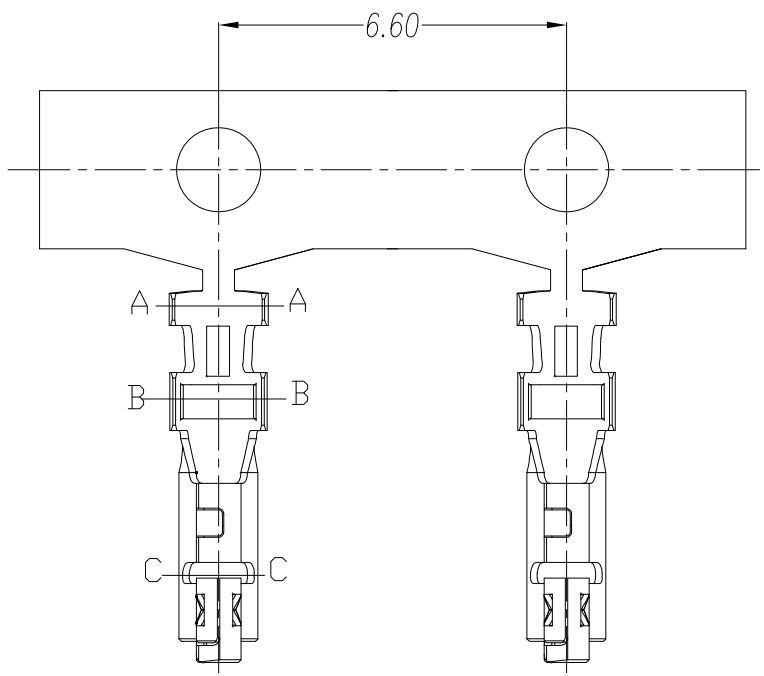
JKUN 温州健坤接插件有限公司
WENZHOU JKUN CONNECTOR CO.,LTD.

GENERAL TOLERANCE	
X. ±0.50	X. ±5°
X.X ±0.30	X.X ±2°
X.XX ±0.20	X.XX ±1°

USE: CUSTOMER
APPD: 张忠永
CHKD: 曾令青
DR: 方松乐

TITLE: 2.00mm RETAINER	
PART NO.: A2019PS-**-E3G-P	
DWG NO.: JKUN-GCKH-0964	
SCALE: 1 : 1	SHEET: 1 / 1

REV	DESCRIPTION	DESIGN	DATE
A	NEW RELEASE	方松乐	2022/02/12



Ordering Information & Specification:

Part No	Wire Range	Insulation O.D.	Material	Finish	Qty/Reel
A2019T-01端子	AWG #22~#28	1.40mm MAX	Phosphor bronze	Sn-plated	

JKUN 温州健坤接插件有限公司 WENZHOU JKUN CONNECTOR CO.,LTD.		TITLE: 2.00mm Terminal	
GENERAL TOLERANCE		USE: CUSTOMER	
X. ±0.50	X. ±5°	PART NO.: A2019T-01端子	
X.X ±0.30	X.X ±2°	DWG NO.: JKUN-GCDZ-0100	
X.XX ±0.20	X.XX ±1°	SCALE: 1 : 1	
UNITS: mm		SHEET: 1 / 1	

