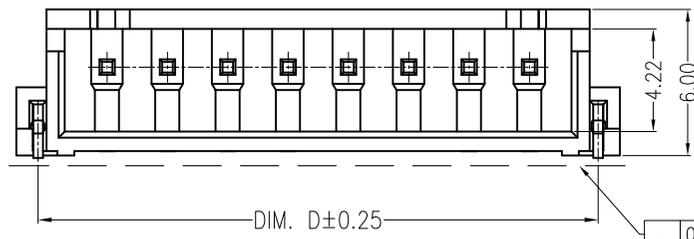
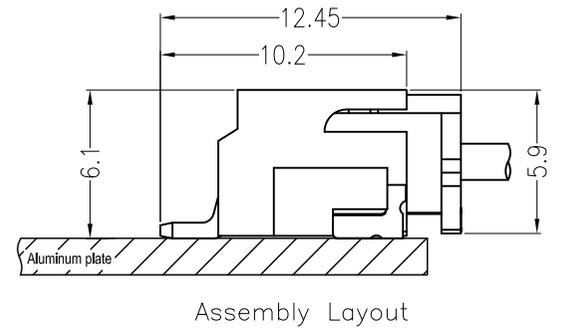
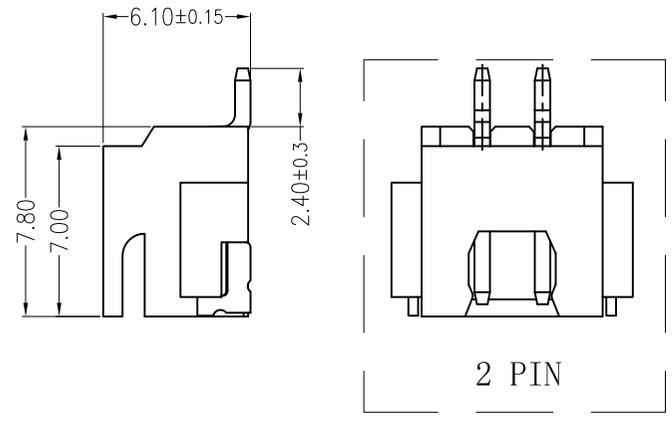
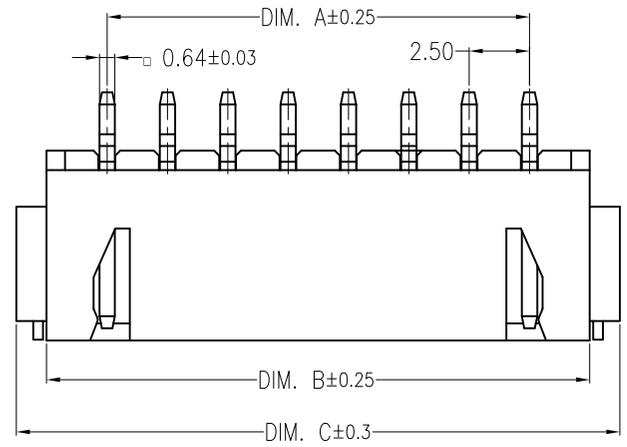
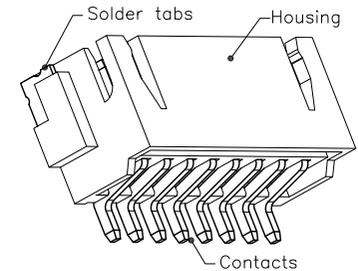


REV	DESCRIPTION	DESIGN	DATE
A0	NEW RELEASE	Wudanping	2016/04/10
A1	Adjust flatness	Jiangjianyin	2020/06/18



A1		
$\Delta$	02P~11P	0.1 MAX
	12P~16P	0.12 MAX

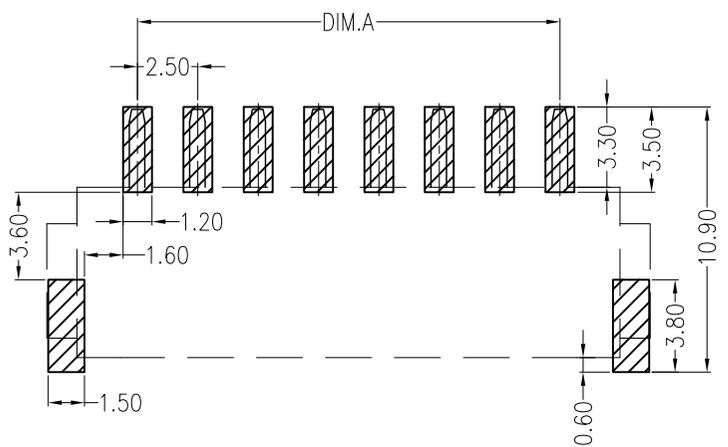
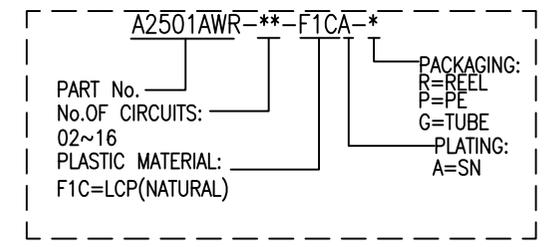


3D VIEWS

**Specifications:**

- Contact resistance:  $\leq 20\text{m}\Omega$
- Insulation resistance:  $\geq 1000\text{M}\Omega$
- Rated voltage: 250V AC DC
- Rated current: 3.0A AC DC
- Withstand voltage: 1000V AC/minute
- Temperature range:  $-25^{\circ}\text{C} \sim +105^{\circ}\text{C}$
- Housing: LCP, UL94V-0, Natural
- Contacts: Brass/Sn
- Solder tabs: Brass/Sn

**ORDER INFORMATION:**



SUGGESTED PCB LAYOUT

Circuit	Dimensions (mm)			
	DIM. A	DIM. B	DIM. C	DIM. D
02	2.50	7.50	10.00	8.20
03	5.00	10.00	12.50	10.70
04	7.50	12.50	15.00	13.20
05	10.00	15.00	17.50	15.70
06	12.50	17.50	20.00	18.20
07	15.00	20.00	22.50	20.70
08	17.50	22.50	25.00	23.20
09	20.00	25.00	27.50	25.70
10	22.50	27.50	30.00	28.20
11	25.00	30.00	32.50	30.70
12	27.50	32.50	35.00	33.20
13	30.00	35.00	37.50	35.70
14	32.50	37.50	40.00	38.20
15	35.00	40.00	42.50	40.70
16	37.50	42.50	45.00	43.20

**JKUN** 温州健坤接插件有限公司  
WENZHOU JKUN CONNECTOR CO.,LTD.

GENERAL TOLERANCE	
X.	$\pm 0.50$
X.X	$\pm 0.30$
X.XX	$\pm 0.20$

TOLERANCE	
X.	$\pm 5^{\circ}$
X.X	$\pm 2^{\circ}$
X.XX	$\pm 1^{\circ}$

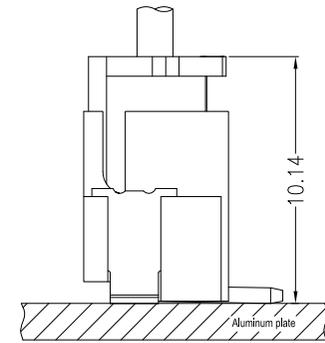
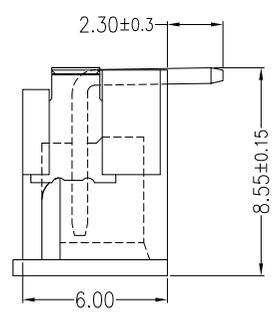
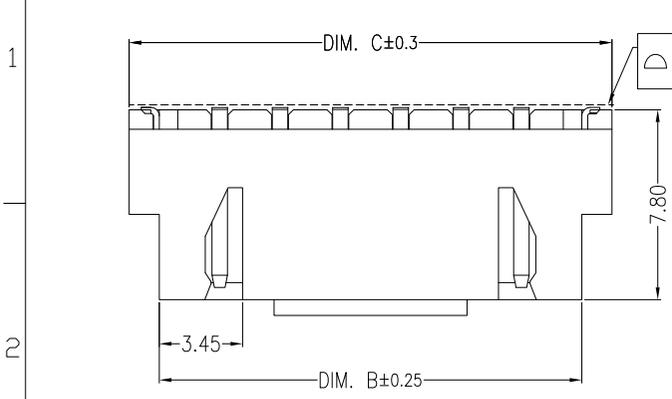


UNITS: mm

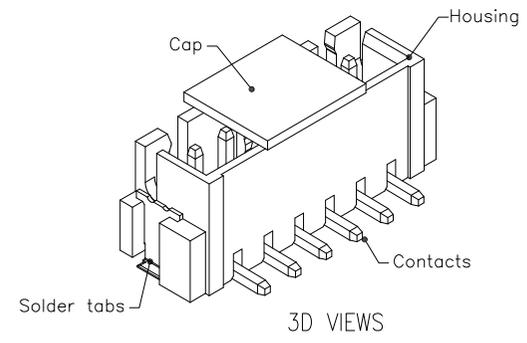
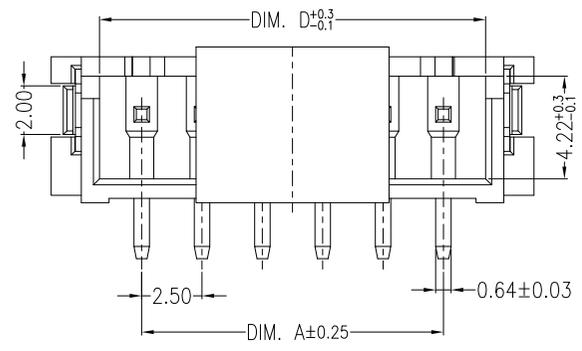
USE:	
APPD:	CUSTOMER
CHKD:	Shaojinghe
DR:	Zenglingqing
	Jiangjianyin

TITLE: 2.50mmPITCH 90°WAFER SMT TYPE	
PART NO.: A2501AWR-**-F1CA-*	
DWG NO.: JKUN/GCKH-0542	
SCALE 1 : 1	SHEET 1 / 1

REV	DESCRIPTION	DESIGN	DATE
A0	NEW RELEASE	Wudanping	2016/05/19
A1	Adjust flatness	Jiangjianyin	2020/06/18



Assembly Layout

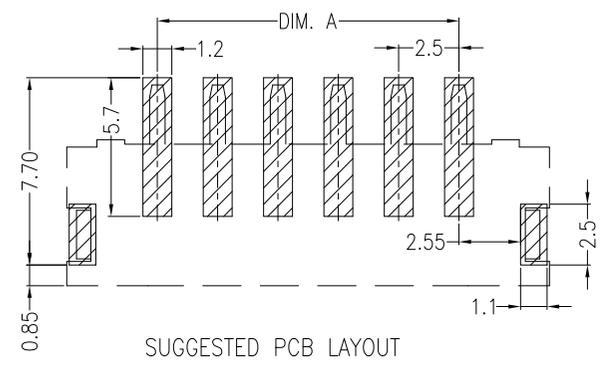
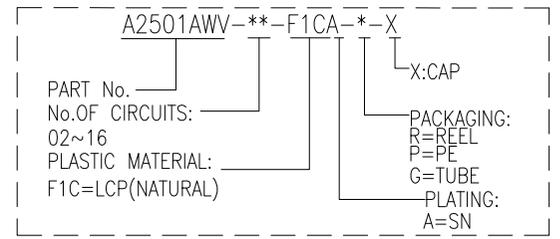


3D VIEWS

Specifications:

- Contact resistance: ≤20mΩ
- Insulation resistance: ≥1000MΩ
- Rated voltage: 250V AC DC
- Rated current: 3.0A AC DC
- Withstand voltage: 1000V AC/minute
- Temperature range: -25°C ~ +105°C
- Housing: LCP, UL94V-0, Natural
- Cap: LCP, UL94V-0, Natural
- Contacts: Brass/Sn
- Solder tabs: PhosphorBronze/Sn

ORDER INFORMATION:



SUGGESTED PCB LAYOUT

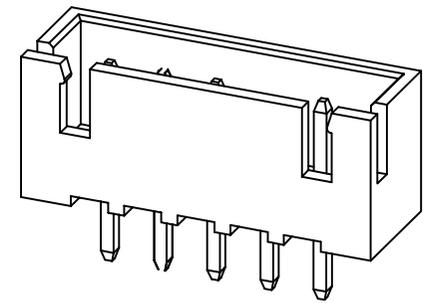
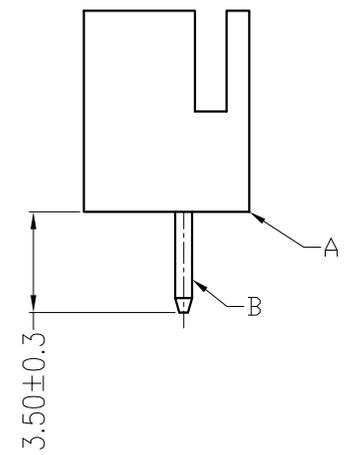
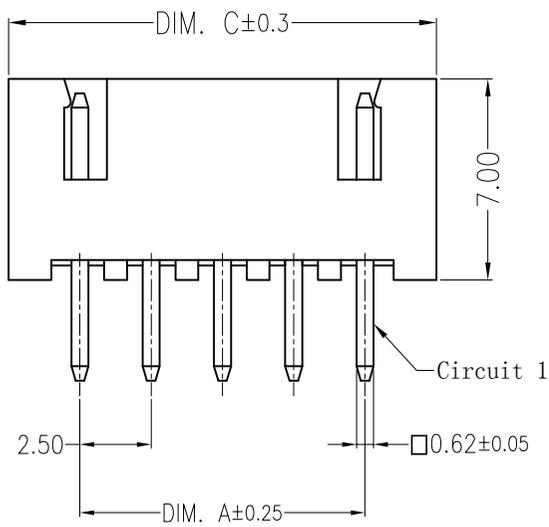
Circuit	Dimensions (mm)			
	DIM. A	DIM. B	DIM. C	DIM. D
02	2.50	7.50	10.00	6.00
03	5.00	10.00	12.50	8.50
04	7.50	12.50	15.00	11.00
05	10.00	15.00	17.50	13.50
06	12.50	17.50	20.00	16.00
07	15.00	20.00	22.50	18.50
08	17.50	22.50	25.00	21.00
09	20.00	25.00	27.50	23.50
10	22.50	27.50	30.00	26.00
11	25.00	30.00	32.50	28.50
12	27.50	32.50	35.00	31.00
13	30.00	35.00	37.50	33.50
14	32.50	37.50	40.00	36.00
15	35.00	40.00	42.50	38.50
16	37.50	42.50	45.00	41.00

**JKUN** 温州健坤接插件有限公司  
WENZHOU JKUN CONNECTOR CO.,LTD.

GENERAL TOLERANCE		USE:
X. ±0.50	X. ±5°	CUSTOMER
X.X ±0.30	X.X ±2°	APPD: Shaojinghe
X.XX ±0.20	X.XX ±1°	CHKD: Zenglingqing
UNITS: mm		DR: Jiangjianyin

TITLE: 2.50mmPITCH 180°WAFER SMT TYPE	
PART NO.: A2501AWV-**-F1CA-*-X	
DWG NO.: JKUN/GCKH-0543	
SCALE 1 : 1	SHEET 1 / 1

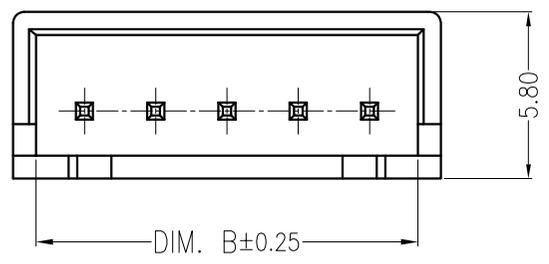
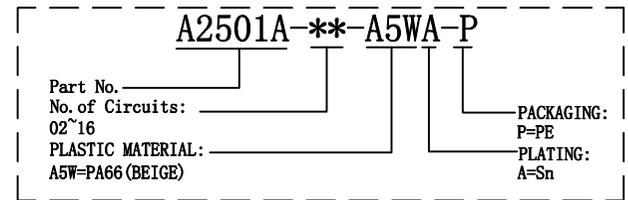
REV	ECN No.	DESCRIPTION	DESIGN	DATE
A0		Release	吴丹平	2017.03.23



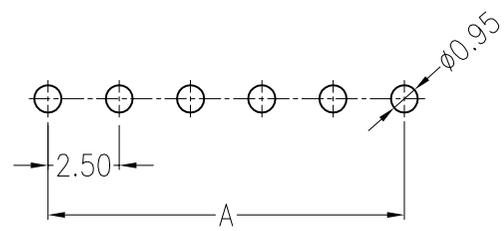
**主要技术参数 Main Specifications**

- 线 数 (Poles): 02 to 16
- 接触电阻 (Contact resistance):  $\leq 20m\Omega$
- 绝缘电阻 (Insulation resistance):  $\geq 1000M\Omega$
- 额定电压 (Rated voltage): 250V AC DC
- 额定电流 (Rated current): 3.0A AC DC
- 耐 电 压 (Withstand Voltage): 1000V AC/minute
- 温度范围 (Temperature Range):  $-25^{\circ}C \sim +85^{\circ}C$

**ORDER INFORMATION:**



Circuits	Dimensions (mm)		
	A	B	C
02	2.50	6.00	7.50
03	5.00	8.50	10.00
04	7.50	11.00	12.50
05	10.00	13.50	15.00
06	12.50	16.00	17.50
07	15.00	18.50	20.00
08	17.50	21.00	22.50
09	20.00	23.50	25.00
10	22.50	26.00	27.50
11	25.00	28.50	30.00
12	27.50	31.00	32.50
13	30.00	33.50	35.00
14	32.50	36.00	37.50
15	35.00	38.50	40.00
16	37.50	41.00	42.50
17	40.00	43.50	45.00
18	42.50	46.00	47.50



**SUGGESTED PCB LAYOUT  
(COMPONENT SIDE)**

ITEM	COMPONENT	Q'TY	MATERIAL	FINISH
C				
B	CONTACT	4 PCS	Brass	Tin-plated
A	HOUSING	1 PCS	PA66	COLOR:BEIGE

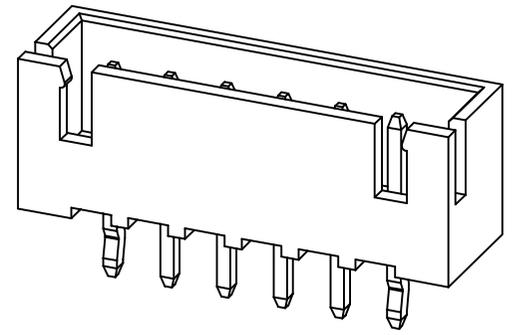
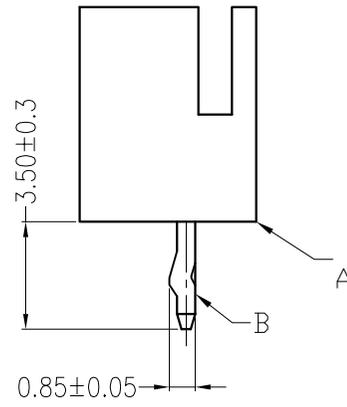
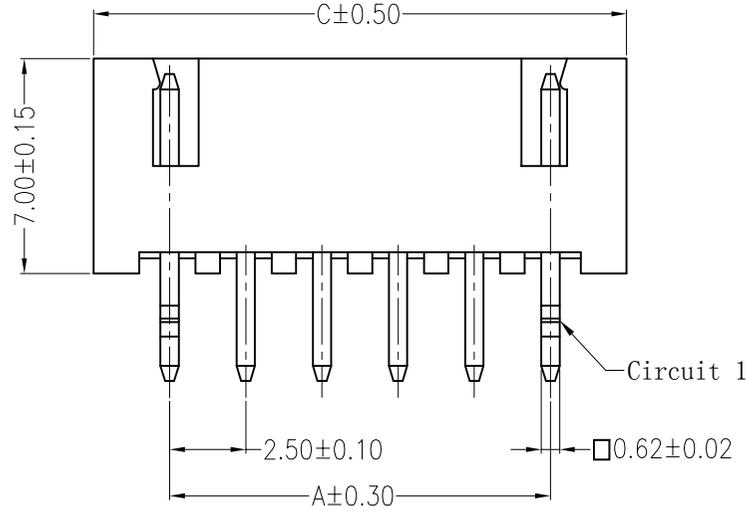
  

X.±0.5	X.±5'	USE: CUSTOMER	PART NO.: A2501A-**-A5WA-P
.X±0.3	.X±2'		
.XX±0.25	.XX±1'	APPD: 邵敬和	DWG NO.: JKUN/GCCP-0540
--	--	CHKD: 田峰	SCALE: 1 : 1
UNITS: mm		DR: 吴丹平	SHEET: 1 / 1

**JKUN 温州健坤接插件有限公司**  
**WENZHOU JKUN CONNECTOR CO., LTD.**

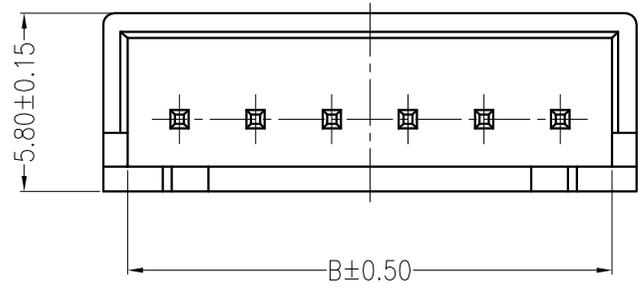
TITLE: -  
2.5mm PITCH 180° WAFER DIP TYPE

REV	ECN No.	DESCRIPTION	DESIGN	DATE
A0		Release	吴丹平	2017.04.24



**主要技术参数 Main Specifications**

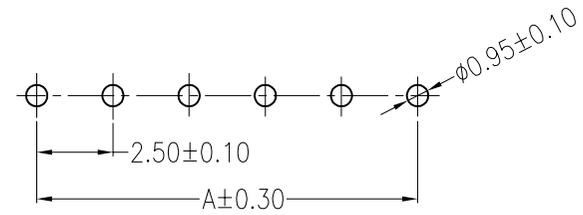
线数 (Poles): 02 to 16  
 接触电阻 (Contact resistance):  $\leq 20m\Omega$   
 绝缘电阻 (Insulation resistance):  $\geq 1000M\Omega$   
 额定电压 (Rated voltage): 250V AC DC  
 额定电流 (Rated current): 3.0A AC DC  
 耐电压 (Withstand Voltage): 1000V AC/minute  
 温度范围 (Temperature Range):  $-25^{\circ}C \sim +85^{\circ}C$



Circuits	Dimensions (mm)		
	A	B	C
02	2.50	6.00	7.50
03	5.00	8.50	10.00
04	7.50	11.00	12.50
05	10.00	13.50	15.00
06	12.50	16.00	17.50
07	15.00	18.50	20.00
08	17.50	21.00	22.50
09	20.00	23.50	25.00
10	22.50	26.00	27.50
11	25.00	28.50	30.00
12	27.50	31.00	32.50
13	30.00	33.50	35.00
14	32.50	36.00	37.50
15	35.00	38.50	40.00
16	37.50	41.00	42.50
17	40.00	43.50	45.00
18	42.50	45.00	47.50

**A2501A-\*\*-A5WA-P-Q**

Part No.		SPECIAL CODE:
No. of Circuits:	02~18	Q-With PIN kinked
PLASTIC MATERIAL:	A5W=PA66 (WHITE)	PACKAGING:
		P=PE
		PLATING:
		A=Sn

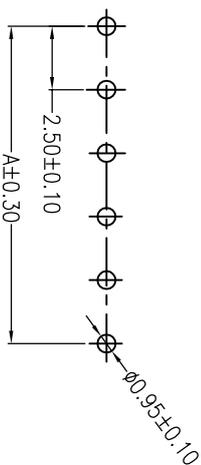
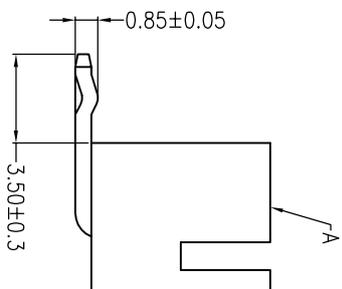
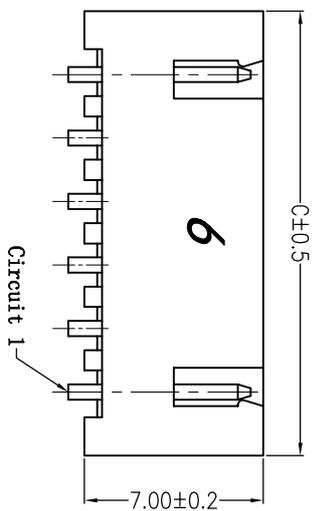


**SUGGESTED PCB LAYOUT  
(COMPONENT SIDE)**

ITEM	COMPONENT	Q'TY	MATERIAL	FINISH
C				
B	CONTACT	3 PCS	Brass	Sn-plated
A	HOUSING	1 PCS	PA66	COLOR:BEIGE

<b>JKUN 温州健坤接插件有限公司</b> <b>WENZHOU JKUN CONNECTOR CO., LTD.</b>			TITLE: A2501A 2.5mmPITCH 180°WAFER	
X.±0.5	X.±5'	USE: CUSTOMER	PART NO.:	
.X±0.3	.X±2'		A2501A-**-A5WA-P-Q	
.XX±0.25	.XX±1'	APPD: 邵敬和	DWG NO.:	
--	--	CHKD: 田峰	JKUN/GCCP-0540	
⊕	◁	UNITS: mm	DR: 吴丹平	SCALE: 1:1
				SHEET: 1/1



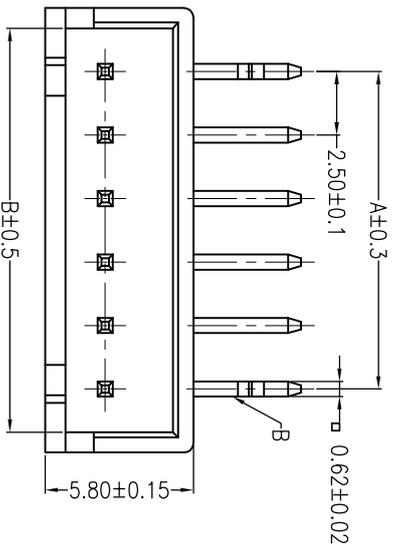
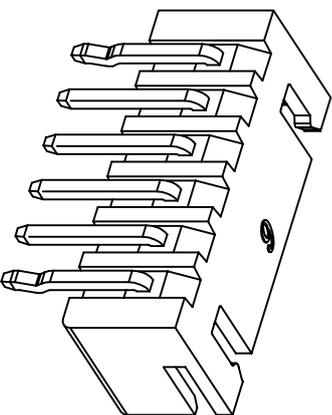
SUGGESTED PCB LAYOUT

**主要技术参数 Main Specifications**

- 线数 (Poles): 02 to 18
- 接触电阻 (Contact resistance):  $\leq 20m\Omega$
- 绝缘电阻 (Insulation resistance):  $\geq 1000M\Omega$
- 额定电压 (Rated voltage): 250V AC DC
- 额定电流 (Rated current): 3.0A AC DC
- 耐电压 (Withstand Voltage): 1000V AC/minute
- 温度范围 (Temperature Range):  $-25^{\circ}C \sim +85^{\circ}C$

**ORDER INFORMATION:**

**A2501AW-\*\*-A5WA-P-Q**  
 PART No.: \_\_\_\_\_  
 No. OF CIRCUITS: \_\_\_\_\_  
 02\*18  
 PLASTIC MATERIAL: \_\_\_\_\_  
 ASW=PA66 (White)  
 Special code: \_\_\_\_\_  
 4\*11th PIN kinked  
 PACKAGING: \_\_\_\_\_  
 P=PE  
 PLATING: \_\_\_\_\_  
 A=Sn

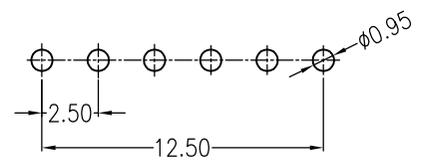
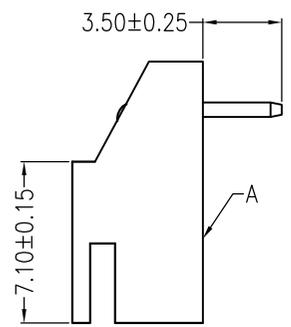
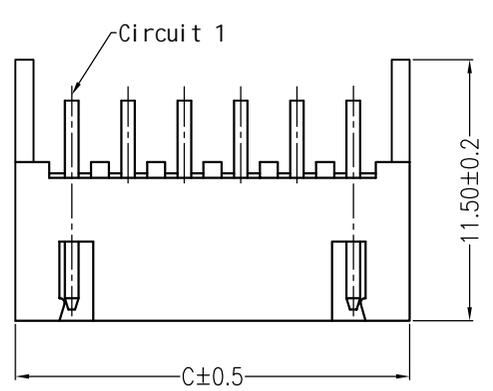


Circuits	Dimensions (mm)			Circuits	Dimensions (mm)		
	A	B	C		A	B	C
02	2.50	6.00	7.50	11	25.00	28.50	30.00
03	5.00	8.50	10.00	12	27.50	31.00	32.50
04	7.50	11.00	12.50	13	30.00	33.50	35.00
05	10.00	13.50	15.00	14	32.50	36.00	37.50
06	12.50	16.00	17.50	15	35.00	38.50	40.00
07	15.00	18.50	20.00	16	37.50	41.00	42.50
08	17.50	21.00	22.50	17	40.00	43.50	45.00
09	20.00	23.50	25.00	18	42.50	46.00	47.50
10	22.50	26.00	27.50				

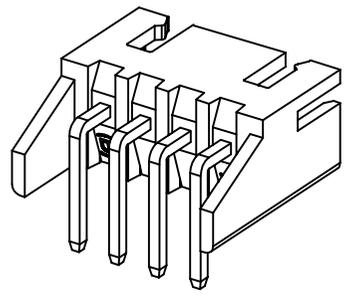
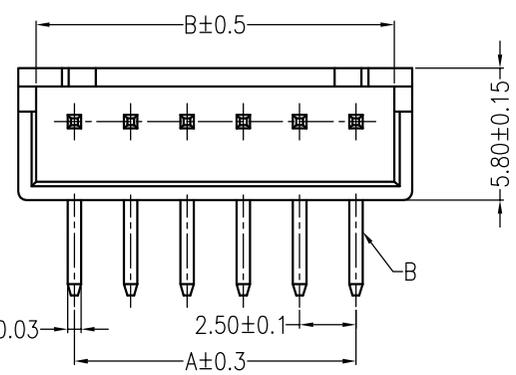
ITEM	COMPONENT	QTY	MATERIAL	FINISH
C				
B	CONTACT	2~18 PCS	Brass	Tin-plated
A	HOUSING	1 PCS	PA66	UL 94-V0, COLOR:white

**JKUN 温州健坤连接器有限公司**  
 WENZHOU JKUN CONNECTOR CO.,LTD.  
 TITLE: A2501AW  
 2.5mmPITCH 90°WAFER DIP TYPE  
 PART NO.: \_\_\_\_\_  
 USE: CUSTOMER  
 APPD: 邵敏和  
 XXX±0.15 .XX±  
 CHKD: 田峰  
 UNITS: mm  
 DR: 蒋建银  
 SCALE 1 : 1  
 SHEET 1 / 1

REV	DESCRIPTION	DESIGN	DATE
A0	Release	吴丹平	2017.12.07



Board Layout



**主要技术参数 Main Specifications**

- 线 数 (Poles): 02 to 18
- 接触电阻 (Contact resistance):  $\leq 20m\Omega$
- 绝缘电阻 (Insulation resistance):  $\geq 1000M\Omega$
- 额定电压 (Rated voltage): 250V AC DC
- 额定电流 (Rated current): 3.0A AC DC
- 耐 电 压 (Withstand Voltage): 1000V AC/minute
- 温度范围 (Temperature Range):  $-25^{\circ}C \sim +85^{\circ}C$

ORDER INFORMATION:

**A2501AWD-\*\*-A5WA-P**

Part No.			
No. of Circuits:	02~18	PACKAGING:	P=PE
PLASTIC MATERIAL:	A5W=PA66 (WHITE)	PLATING:	A=Sn

Circuits	Dimensions (mm)			Circuits	Dimensions (mm)		
	A	B	C		A	B	C
02	2.50	6.00	7.50	11	25.00	28.50	30.00
03	5.00	8.50	10.00	12	27.50	31.00	32.50
04	7.50	11.00	12.50	13	30.00	33.50	35.00
05	10.00	13.50	15.00	14	32.50	36.00	37.50
06	12.50	16.00	17.50	15	35.00	38.50	40.00
07	15.00	18.50	20.00	16	37.50	41.00	42.50
08	17.50	21.00	22.50	17	40.00	43.50	45.00
09	20.00	23.50	25.00	18	42.50	46.00	47.50
10	22.50	26.00	27.50				

ITEM	COMPONENT	Q'TY	MATERIAL	FINISH
C				
B	CONTACT	02~18 PCS	Brass	Sn-plated
A	PEDESTAL	1 PCS	PA66	COLOR:WHITE

**JKUN 温州健坤接插件有限公司**  
WENZHOU JKUN CONNECTOR CO., LTD.

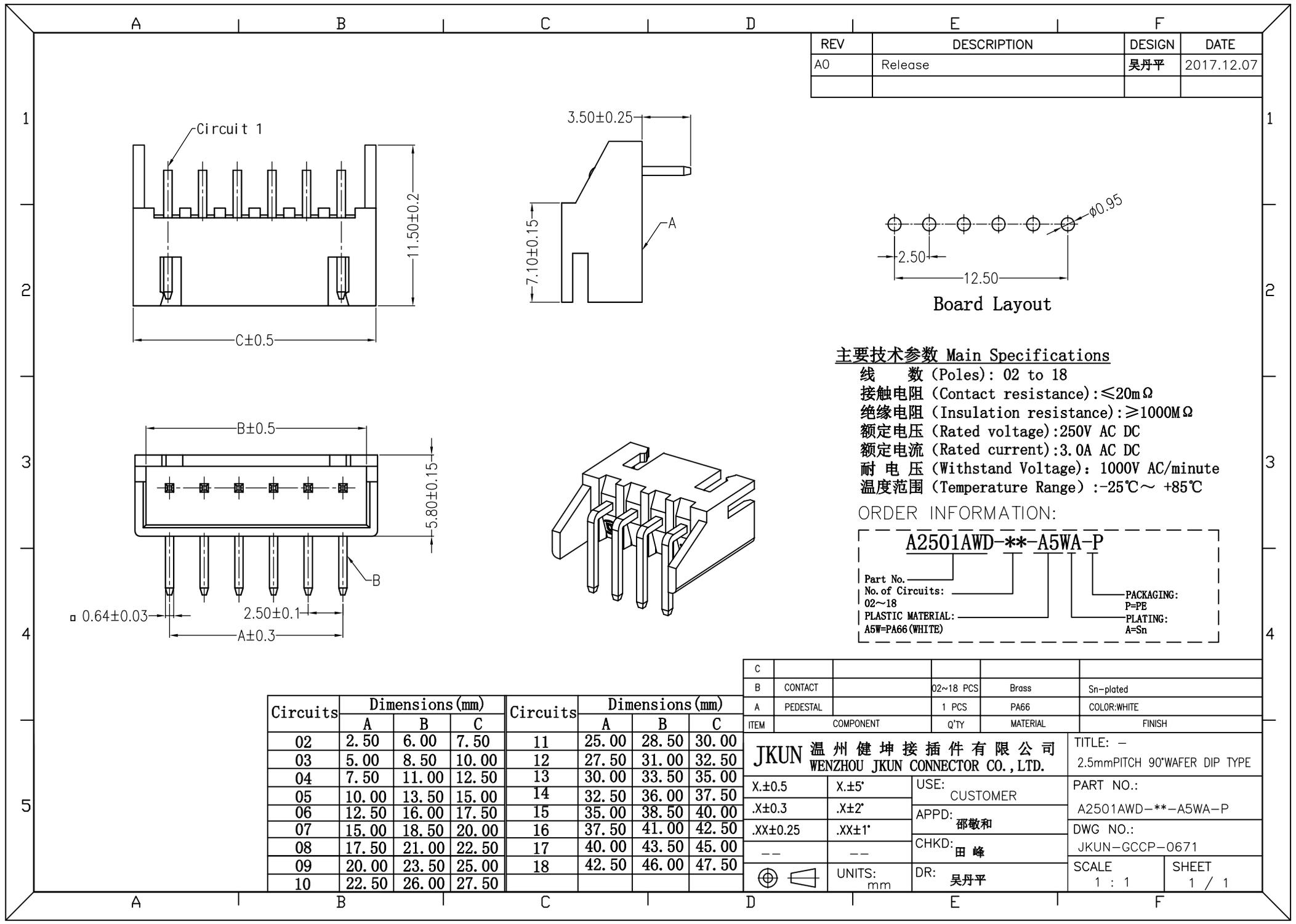
USE: CUSTOMER  
APPD: 邵敬和  
CHKD: 田峰  
DR: 吴丹平

TITLE: -  
2.5mmPITCH 90°WAFER DIP TYPE

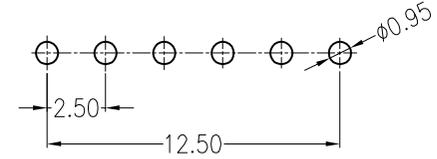
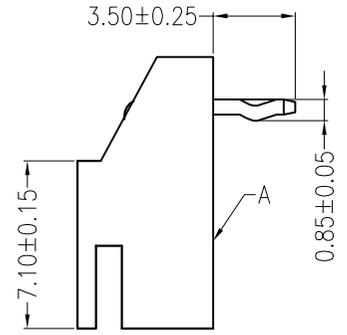
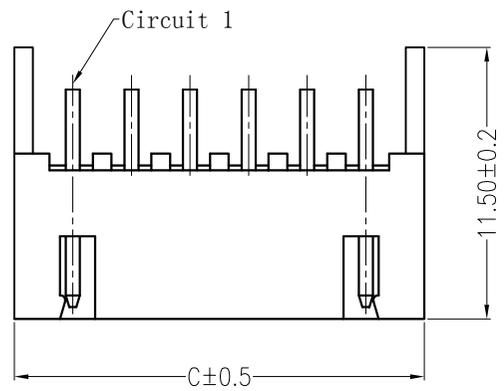
PART NO.:  
A2501AWD-\*\*-A5WA-P

DWG NO.:  
JKUN-GCCP-0671

SCALE: 1 : 1  
SHEET: 1 / 1



REV	DESCRIPTION	DESIGN	DATE
A0	Release	吴丹平	2017.12.07



Board Layout

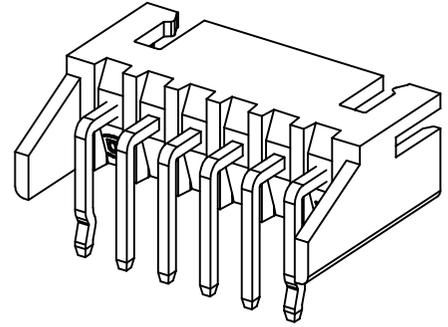
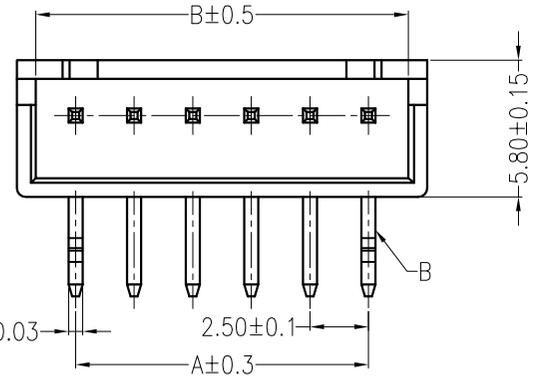
主要技术参数 Main Specifications

- 线数 (Poles): 02 to 18
- 接触电阻 (Contact resistance):  $\leq 20m\Omega$
- 绝缘电阻 (Insulation resistance):  $\geq 1000M\Omega$
- 额定电压 (Rated voltage): 250V AC DC
- 额定电流 (Rated current): 3.0A AC DC
- 耐电压 (Withstand Voltage): 1000V AC/minute
- 温度范围 (Temperature Range):  $-25^{\circ}C \sim +85^{\circ}C$

ORDER INFORMATION:

**A2501AWD-\*\*-A5WA-P-Q**

Part No.		SPECIAL CODE:
No. of Circuits:	02~18	Q=With PIN kinked
PLASTIC MATERIAL:	A5W=PA66 (WHITE)	PACKAGING: P=PE
		PLATING: A=Sn

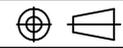


Circuits	Dimensions (mm)			Circuits	Dimensions (mm)		
	A	B	C		A	B	C
02	2.50	6.00	7.50	11	25.00	28.50	30.00
03	5.00	8.50	10.00	12	27.50	31.00	32.50
04	7.50	11.00	12.50	13	30.00	33.50	35.00
05	10.00	13.50	15.00	14	32.50	36.00	37.50
06	12.50	16.00	17.50	15	35.00	38.50	40.00
07	15.00	18.50	20.00	16	37.50	41.00	42.50
08	17.50	21.00	22.50	17	40.00	43.50	45.00
09	20.00	23.50	25.00	18	42.50	46.00	47.50
10	22.50	26.00	27.50				

ITEM	COMPONENT	Q'TY	MATERIAL	FINISH
C				
B	CONTACT	02~18 PCS	Brass	Sn-plated
A	PEDESTAL	1 PCS	PA66	COLOR:WHITE

JKUN 温州健坤接插件有限公司 WENZHOU JKUN CONNECTOR CO., LTD.	TITLE: -
	2.5mmPITCH 90°WAFER DIP TYPE
	PART NO.: A2501AWD-**-A5WA-P-Q
	DWG NO.: JKUN-GCCP-0671
USE: CUSTOMER	SCALE 1 : 1
APPD: 邵敬和	
CHKD: 田峰	SHEET 1 / 1
DR: 吴丹平	



UNITS: mm

A

B

C

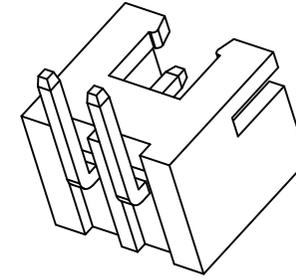
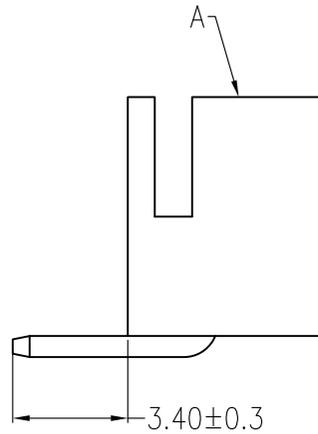
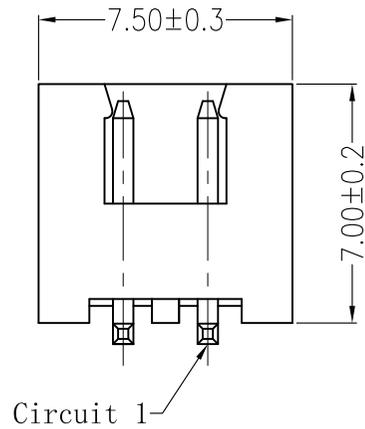
D

E

F

REV	ECN No.	DESCRIPTION	DESIGN	DATE
A	-	NEW RELEASE	吴丹平	2017.03.22

1



### 主要技术参数 Main Specifications

线 数 (Poles): 02 to 18  
 接触电阻 (Contact resistance):  $\leq 20\text{m}\Omega$   
 绝缘电阻 (Insulation resistance):  $\geq 1000\text{M}\Omega$   
 额定电压 (Rated voltage): 250V AC DC  
 额定电流 (Rated current): 3.0A AC DC  
 耐 电 压 (Withstand Voltage): 1000V AC/minute  
 温度范围 (Temperature Range):  $-25^{\circ}\text{C} \sim +85^{\circ}\text{C}$

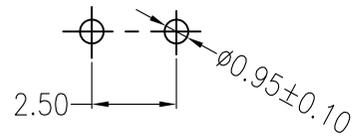
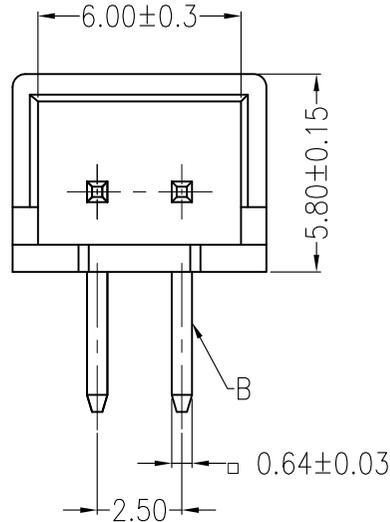
2

3

### ORDER INFORMATION:

A2501AWQ-02-A5WA-P			
PART No.			
No. OF CIRCUITS:	02		PACKAGING: P=PE
PLASTIC MATERIAL:			PLATING: A=Sn
A5W=PA66 (White)			

4



SUGGESTED PCB LAYOUT

5

ITEM	COMPONENT	Q'TY	MATERIAL	FINISH
C				
B	CONTACT	2 PCS	Brass	Tin-plated
A	HOUSING	1 PCS	PA66	UL 94V-2, COLOR:White

JKUN 温州健坤接插件有限公司 WENZHOU JKUN CONNECTOR CO.,LTD.		TITLE: A2501AWQ-02-02P 2.5mmPITCH 90°WAFER DIP TYPE	
.X±0.35	X.±	USE:	PART NO.:
.XX±0.25	.X±	CUSTOMER	A2501AWQ-02-A5WA-P
.XXX±0.15	.XX±	APPD: 邵敬和	DWG NO.:
--	--	CHKD: 田峰	JKUN/GCCP-0541
⊕	UNITS: mm	DR: 吴丹平	SCALE 1 : 1
			SHEET 1 / 1

A

B

C

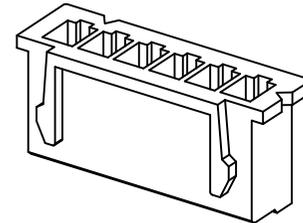
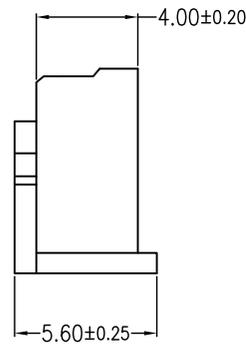
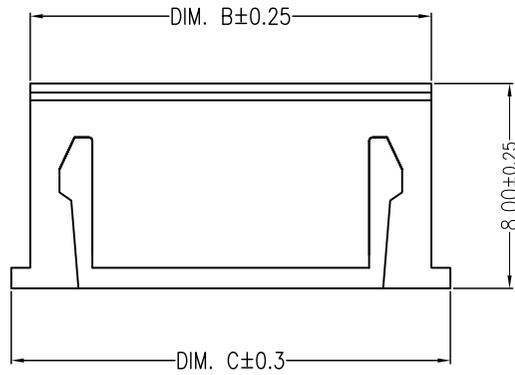
D

E

F

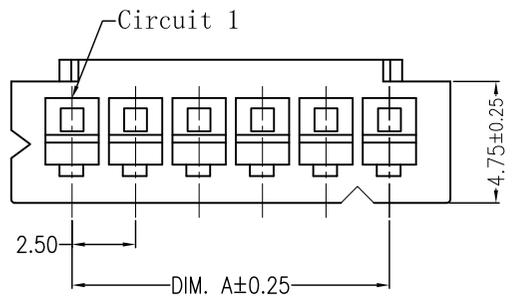
REV	DESCRIPTION	DESIGN	DATE
A0	Release	吴丹平	2017.05.19
B	添加防呆口示意图	蒋建银	2021.05.20

Circuits	Dimensions (mm)		
	DIM. A	DIM. B	DIM. C
02	2.50	5.80	7.30
03	5.00	8.30	9.80
04	7.50	10.80	12.30
05	10.00	13.30	14.80
06	12.50	15.80	17.30
07	15.00	18.30	19.80
08	17.50	20.80	22.30
09	20.00	23.30	24.80
10	22.50	25.80	27.30
11	25.00	28.30	29.80
12	27.50	30.80	32.30
13	30.00	33.30	34.80
14	32.50	35.80	37.30
15	35.00	38.30	39.80
16	37.50	40.80	42.30
17	40.00	43.30	44.90
18	42.50	45.80	47.30

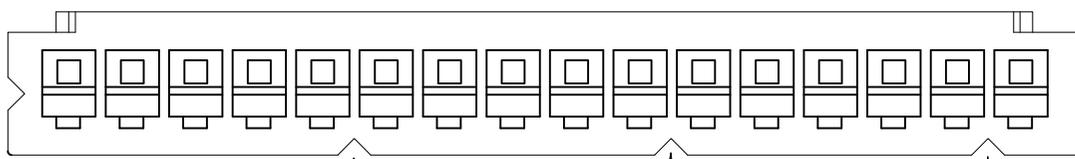
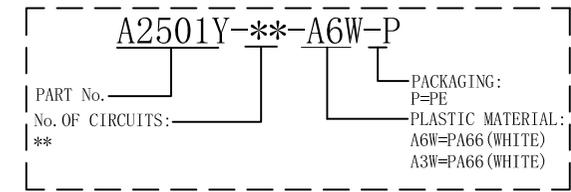


**主要技术参数 Main Specifications**

- 线数 (Poles): 02 to 16
- 接触电阻 (Contact resistance):  $\leq 10\text{m}\Omega$
- 绝缘电阻 (Insulation resistance):  $\geq 1000\text{M}\Omega$
- 额定电压 (Rated voltage): 250V AC DC
- 额定电流 (Rated current): 3.0A AC DC
- 耐电压 (Withstand Voltage): 1000V AC/minute
- 温度范围 (Temperature Range):  $-25^{\circ}\text{C} \sim +85^{\circ}\text{C}$



**ORDER INFORMATION:**



注: 1~5孔无防呆口      5&6      10&11      15&16

C				
B				
A	PEDESTAL	1 PCS	PA66	COLOR:WHITE
ITEM	COMPONENT	Q'TY	MATERIAL	FINISH

JKUN 温州健坤接插件有限公司 WENZHOU JKUN CONNECTOR CO., LTD.			TITLE: - 2.5mmPITCH Housing	
X.±0.5	X.±5'	USE: CUSTOMER	PART NO.:	
.X±0.3	.X±2'		A2501Y-**-A6W-P	
.XX±0.25	.XX±1'	APPD: 邵敬和	DWG NO.:	
--	--	CHKD: 田峰	JKUN/GCCP-0544	
⊕	◁	DR: 吴丹平	SCALE 1 : 1	SHEET 1 / 1

A

B

C

D

E

F

REV	DESCRIPTION	DESIGN	DATE
A0	Release	吴丹平	2015.07.01

1

1

2

2

3

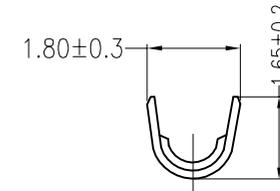
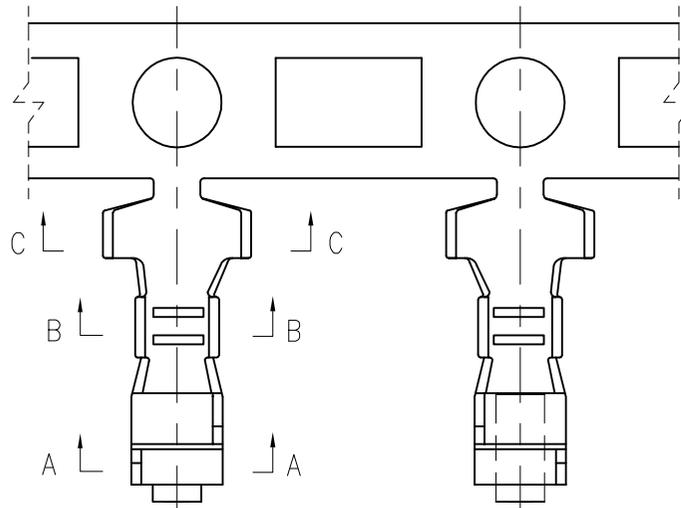
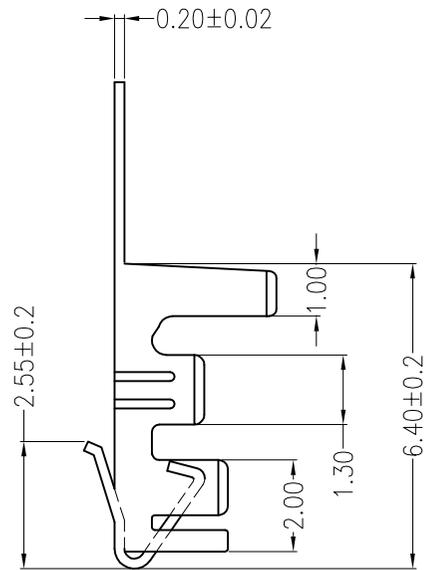
3

4

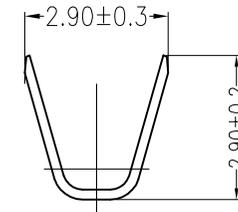
4

5

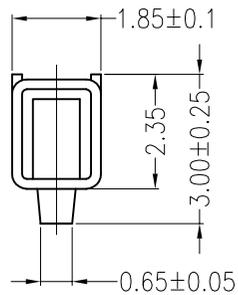
5



B-B



C-C



A-A

## Ordering Information &amp; Specification:

Part No	Wire Range	Insulation O.D.	Material	Finish	Qty/Reel
A2501T-PA	AWG #22~#28	1.90mm(max)	Phosphor bronze	Sn-plated	
JKUN 温州健坤接插件有限公司 WENZHOU JKUN CONNECTOR CO., LTD.			TITLE: A2501 端子		
X.±0.5	X.±5'	USE:	CUSTOMER		
.X±0.3	.X±2'	APPD:	邵敬和		
.XX±0.25	.XX±1'	CHKD:	田峰		
--	--	DR:	吴丹平		
UNITS: mm		SCALE	SHEET		
		1 : 1	1 / 1		

A

B

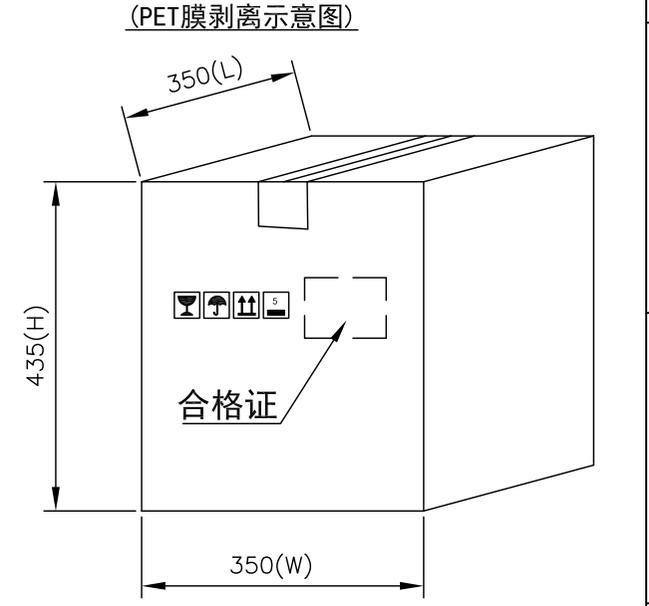
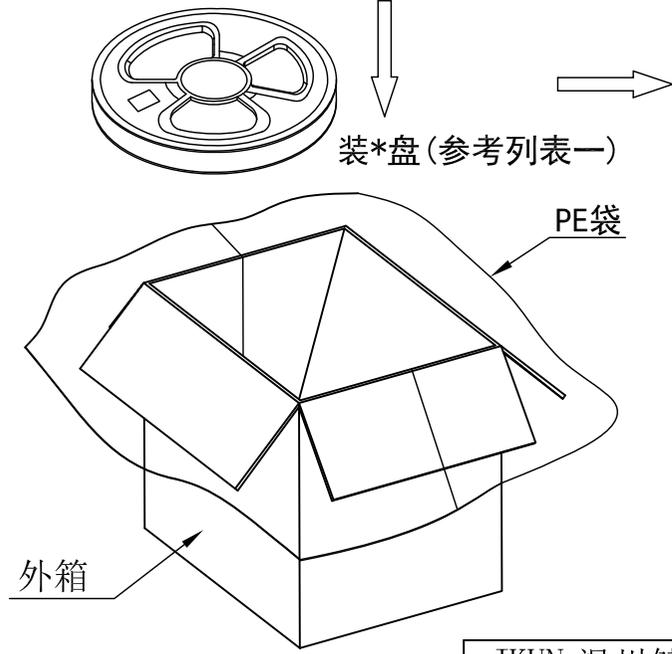
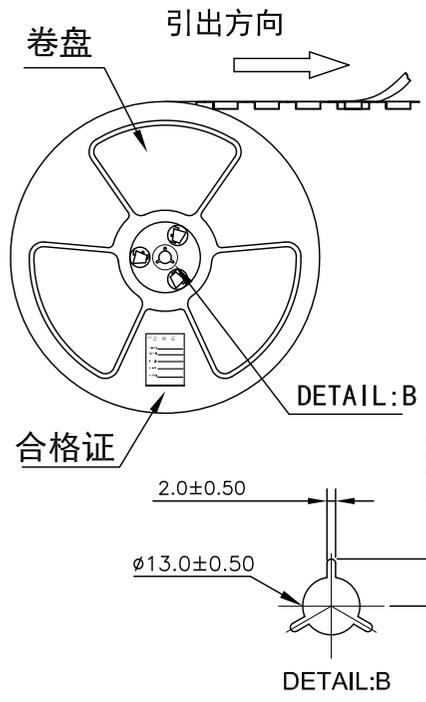
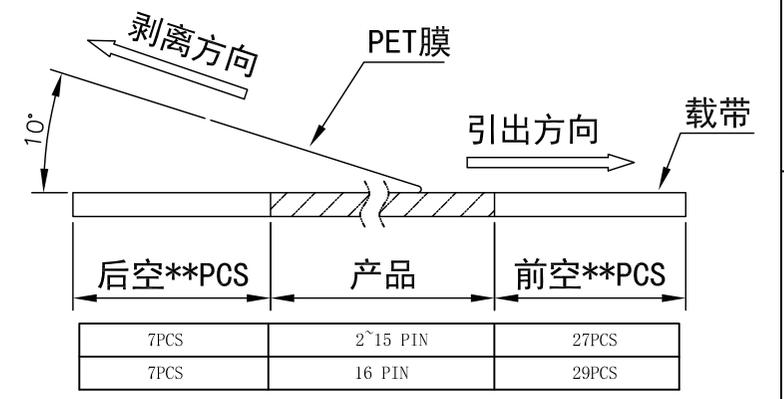
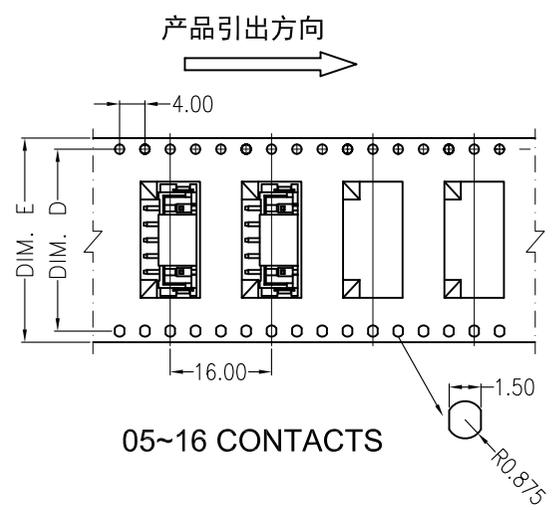
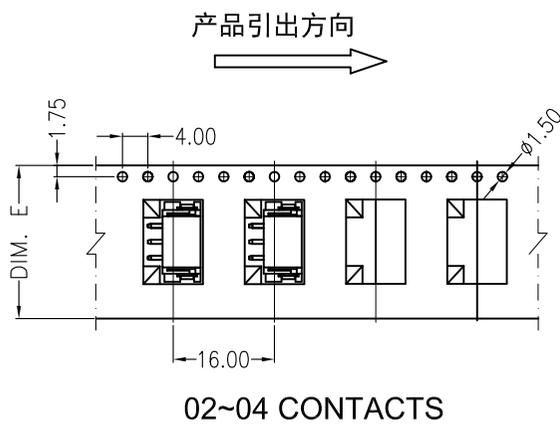
C

D

E

F

REV	ECN No.	DESCRIPTION	DESIGN	DATE
A		Release	蒋建银	2018.06.22



列表一

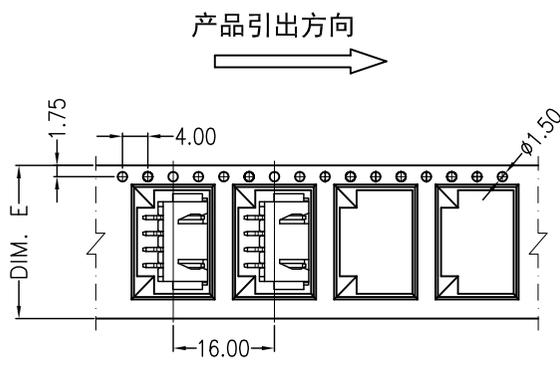
Circuits	DIM. D	DIM. E	Q'ty/Reel	Packing (Reel/Caton)
02-04PIN	-	24	500PCS	15/Reel
05-06PIN	28.4	32	500PCS	11/Reel
07-10PIN	40.4	44	500PCS	8/Reel
11-15PIN	52.4	56	500PCS	7/Reel
16PIN	68.4	72	450PCS	5/Reel

包装说明:

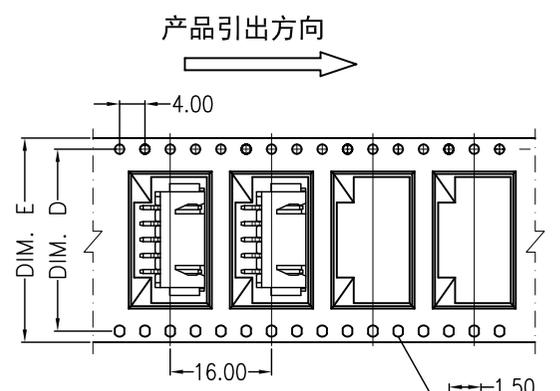
- 把成品包入卷盘中, 每盘装500PCS (16PIN 450PCS), 卷盘上贴上合格证, 将装好产品的卷盘放进外箱中, 外箱内先套一个大PE袋, 外箱上贴贴上合格证.
- 所有材料有害物控制需符合RoHS标准.

JKUN 温州健坤接插件有限公司 WENZHOU JKUN CONNECTOR CO., LTD.			TITLE: A2501AWW 包装规范	
X.± 0.5	X.±'	USE: MANUFACTURE	PART NO.:	
.X± 0.3	.X±'		A2501AWW-nP	
.XX±0.25	.XX±'	APPD: 邵敬和	DWG NO.:	
--	--	CHKD: 田峰	JKUN/GCBZ-0515	
UNITS: mm		DR: 蒋建银	SCALE 1 : 1	SHEET 1 / 1

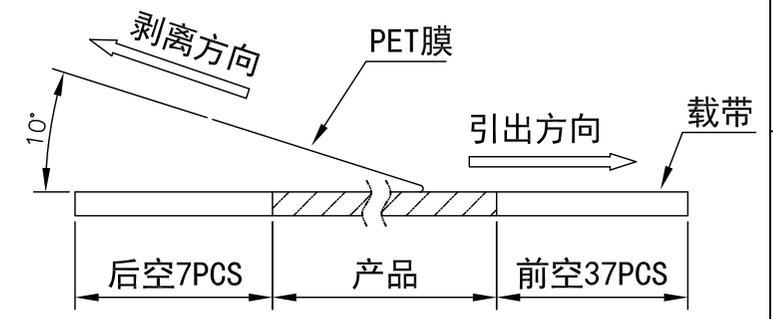
REV	ECN No.	DESCRIPTION	DESIGN	DATE
A		Release	吴丹平	2015.11.12



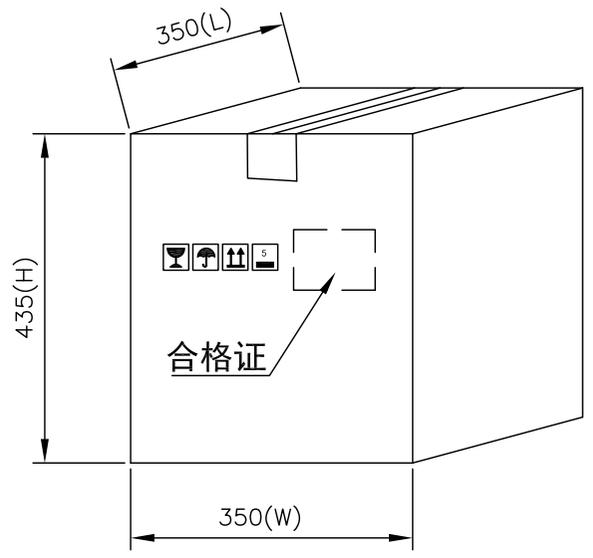
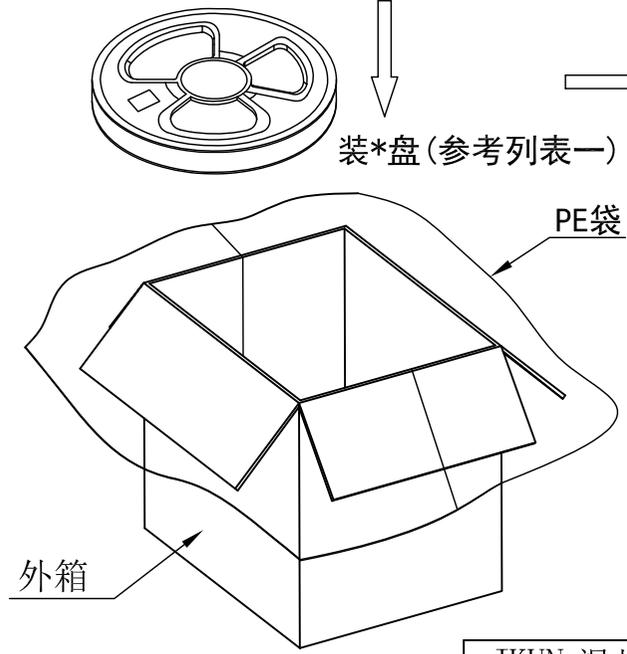
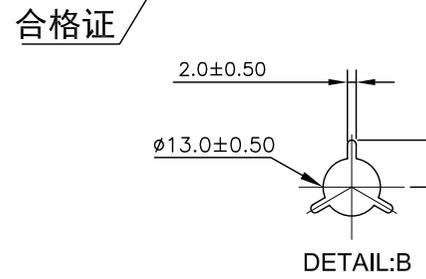
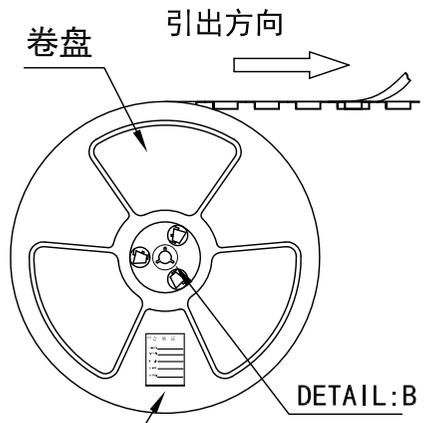
02~04 CONTACTS



05~16 CONTACTS



(PET膜剥离示意图)



列表一

Circuits	DIM. D	DIM. E	Q'ty/Reel	Packing (Reel/Caton)
02-04PIN	-	24	700PCS	15/Reel
05-06PIN	28.4	32	700PCS	11/Reel
07-10PIN	40.4	44	700PCS	8/Reel
11-16PIN	52.4	56	700PCS	7/Reel

包装说明:

- 把成品包入卷盘中, 每盘装700PCS, 卷盘上贴上合格证, 将装好产品的卷盘放进外箱中, 外箱内先套一个大PE袋, 外箱上贴贴上合格证。
- 所有材料有害物控制需符合RoHS标准。

JKUN 温州健坤接插件有限公司 WENZHOU JKUN CONNECTOR CO., LTD.		TITLE: A2501AWR 包装规范	
X.± 0.5	X.±'	USE: MANUFACTURE	PART NO.:
.X± 0.3	.X±'	APPD: 邵敬和	A2501AWR-nP
.XX±0.25	.XX±'	CHKD: 田峰	DWG NO.:
--	--	DR: 吴丹平	JKUN/GCBZ-0514
UNITS: mm		SCALE 1 : 1	SHEET 1 / 1