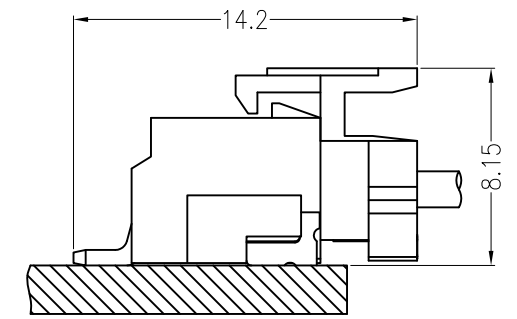
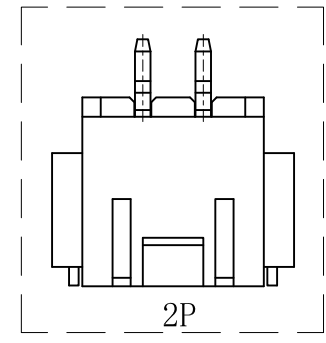
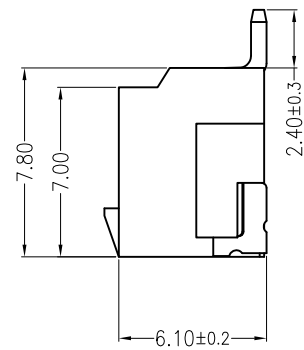
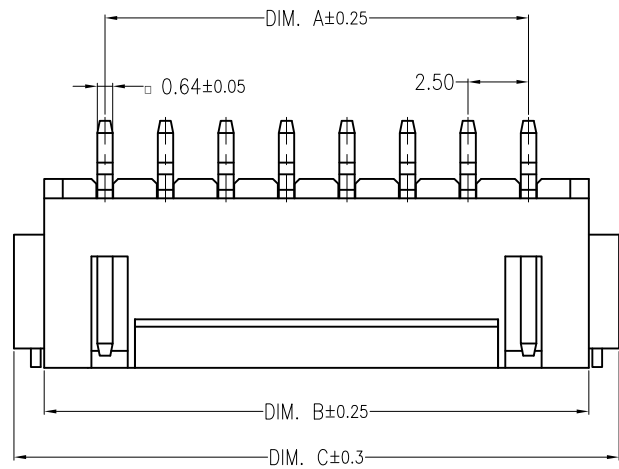


REV	DESCRIPTION	DESIGN	DATE
A0	NEW RELEASE	Wudanping	2017/03/23
A1	Adjust flatness	Jiangjianyin	2020/06/18

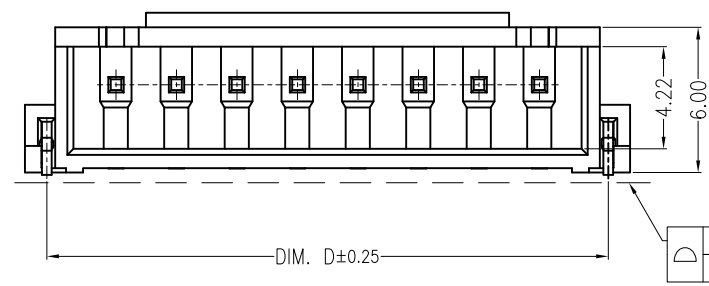
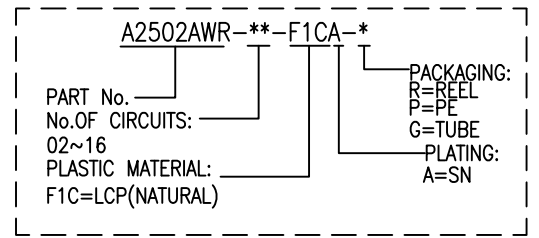


Assembly Layout

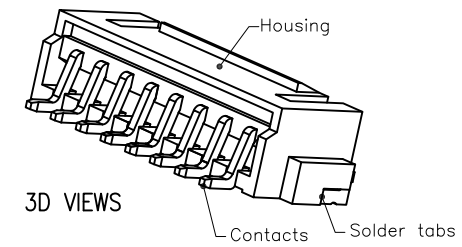
Specifications:

- Contact resistance: ≤20mΩ
- Insulation resistance: ≥1000MΩ
- Rated voltage: 250V AC DC
- Rated current: 3.0A AC DC
- Withstand voltage: 1000V AC/minute
- Temperature range: -25°C ~ +105°C
- Housing: LCP, UL94V-0, Natural
- Contacts: Brass/Sn
- Solder tabs: Brass/Sn

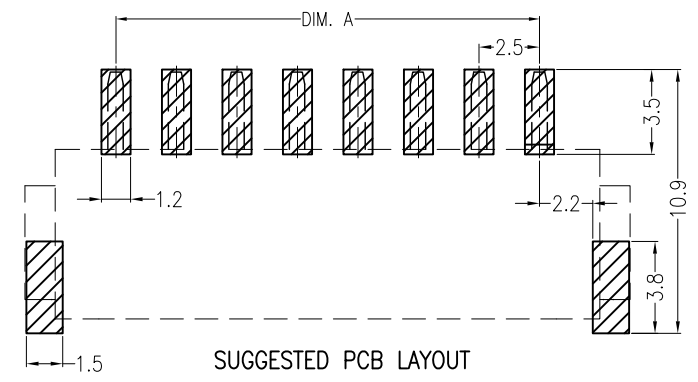
ORDER INFORMATION:



D	02P~11P	0.10	MAX
D	12P~16P	0.12	MAX



3D VIEWS



SUGGESTED PCB LAYOUT

Circuit	Dimensions (mm)			
	DIM. A	DIM. B	DIM. C	DIM. D
02	2.50	7.50	10.00	8.20
03	5.00	10.00	12.50	10.70
04	7.50	12.50	15.00	13.20
05	10.00	15.00	17.50	15.70
06	12.50	17.50	20.00	18.20
07	15.00	20.00	22.50	20.70
08	17.50	22.50	25.00	23.20
09	20.00	25.00	27.50	25.70
10	22.50	27.50	30.00	28.20
11	25.00	30.00	32.50	30.70
12	27.50	32.50	35.00	33.20
13	30.00	35.00	37.50	35.70
14	32.50	37.50	40.00	38.20
15	35.00	40.00	42.50	40.70
16	37.50	42.50	45.00	43.20

JKUN 温州健坤接插件有限公司
WENZHOU JKUN CONNECTOR CO.,LTD.

GENERAL TOLERANCE	
X. ±0.50	X. ±5°
X.X ±0.30	X.X ±2°
X.XX ±0.20	X.XX ±1°

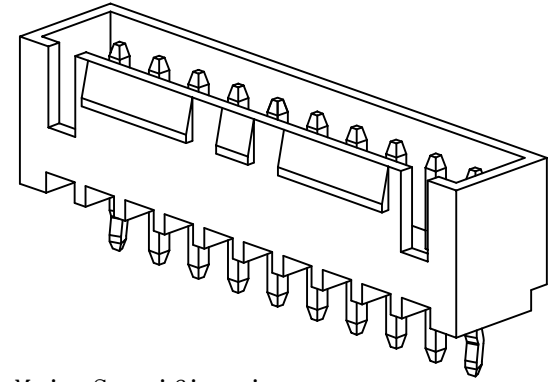
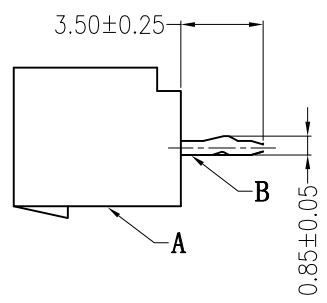
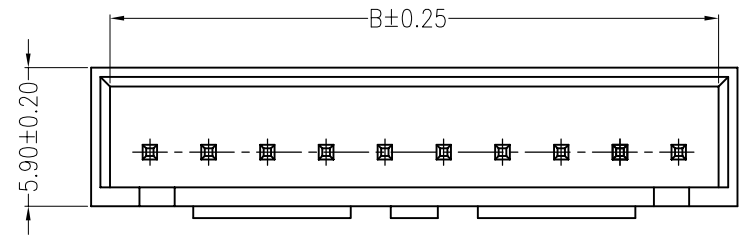
USE:	CUSTOMER
APPD:	Shaojinghe
CHKD:	Zenglingqing
DR:	Jiangjianyin

TITLE: 2.50mmPITCH 90°WAFER SMT TYPE	
PART NO.: A2502AWR-**-F1CA-*	
DWG NO.: JKUN/GCKH-0547	
SCALE 1 : 1	SHEET 1 / 1



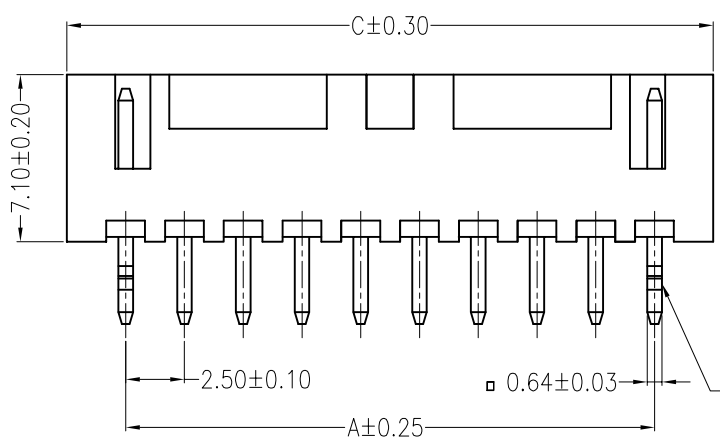
UNITS:
mm

REV	ECN No.	DESCRIPTION	DESIGN	DATE
A0		Release	蒋建银	2017.08.10



主要技术参数 Main Specifications

- 线 数 (Poles): 02 to 16
- 接触电阻 (Contact resistance): $\leq 20m\Omega$
- 绝缘电阻 (Insulation resistance): $\geq 1000M\Omega$
- 额定电压 (Rated voltage): 250V AC DC
- 额定电流 (Rated current): 3.0A AC DC
- 耐 电 压 (Withstand Voltage): 1000V AC/minute
- 温度范围 (Temperature Range): $-25^{\circ}C \sim +85^{\circ}C$

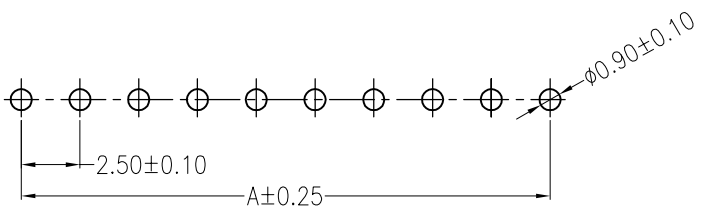


ORDER INFORMATION:

A2502A--A5WA-P-Q**

Part No. _____
 No. of Circuits: _____
 02~16
 PLASTIC MATERIAL: _____
 A5W=PA66 (WHITE)

SPECIAL CODE:
 Q=With PIN kinked
 PACKAGING:
 P=PE
 PLATING:
 A=Sn



**SUGGESTED PCB LAYOUT
(COMPONENT SIDE)**

Circuits	Dimensions (mm)		
	A	B	C
02	2.50	6.00	7.50
03	5.00	8.50	10.00
04	7.50	11.00	12.50
05	10.00	13.50	15.00
06	12.50	16.00	17.50
07	15.00	18.50	20.00
08	17.50	21.00	22.50
09	20.00	23.50	25.00
10	22.50	26.00	27.50
11	25.00	28.50	30.00
12	27.50	31.00	32.50

ITEM	COMPONENT	Q'TY	MATERIAL	FINISH
C				
B	CONTACT	2~16 PCS	Brass	Sn-plated
A	PEDESTAL	1 PCS	PA66	UL 94V-0, COLOR:WHITE

JKUN 温州健坤接插件有限公司
WENZHOU JKUN CONNECTOR CO., LTD.

TITLE: -
 2.5mmPITCH 180°WAFER DIP TYPE

PART NO.:
 A2502A-**-A5WA-P-Q

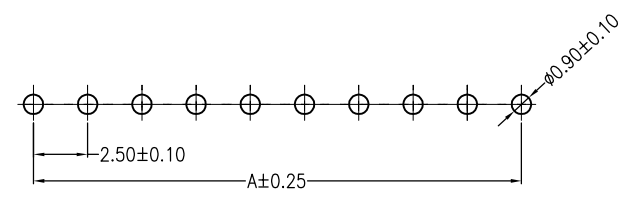
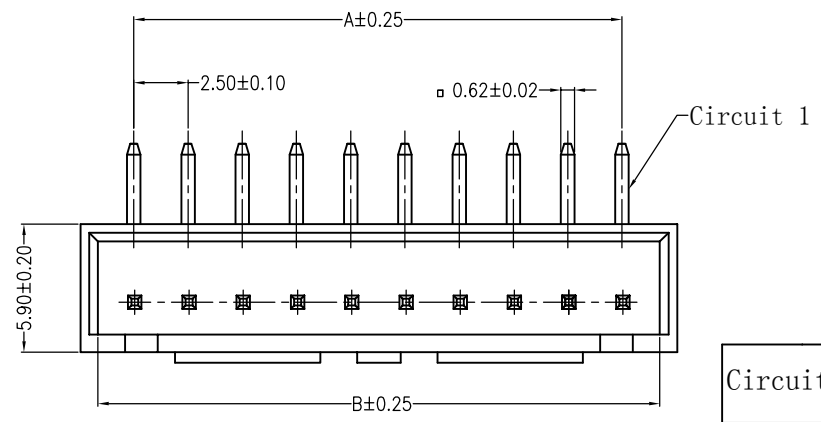
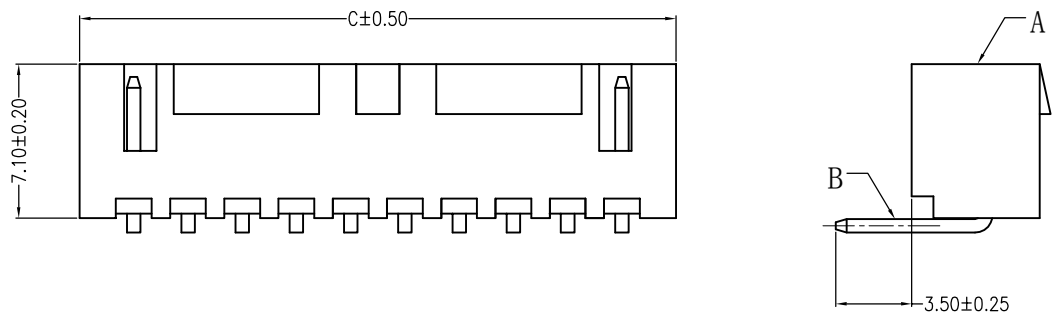
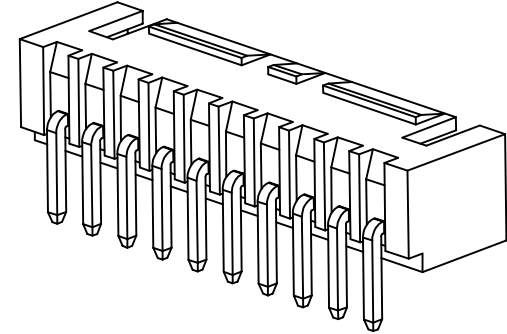
DWG NO.:
 JKUN/GCCP-0545

SCALE: 1 : 1 SHEET: 1 / 1

USE: CUSTOMER
 APPD: 邵敬和
 CHKD: 田峰
 DR: 蒋建银

UNITS: mm

REV	ECN No.	DESCRIPTION	DESIGN	DATE
A0		Release	蒋建银	2018.01.15

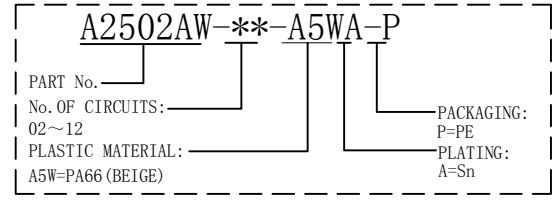


SUGGESTED PCB LAYOUT

主要技术参数 Main Specifications

- 线 数 (Poles): 02 to 18
- 接触电阻 (Contact resistance): $\leq 20m\Omega$
- 绝缘电阻 (Insulation resistance): $\geq 1000M\Omega$
- 额定电压 (Rated voltage): 250V AC DC
- 额定电流 (Rated current): 3.0A AC DC
- 耐 电压 (Withstand Voltage): 1000V AC/minute
- 温度范围 (Temperature Range): $-25^{\circ}C \sim +85^{\circ}C$

ORDER INFORMATION:



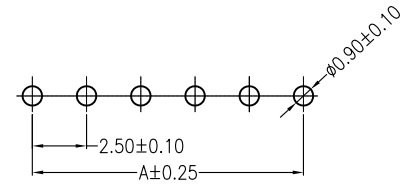
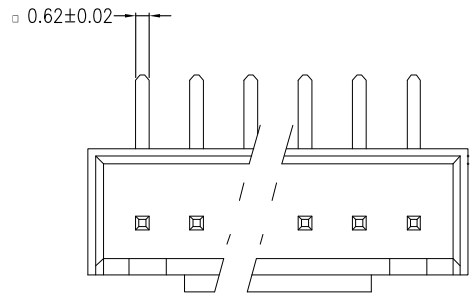
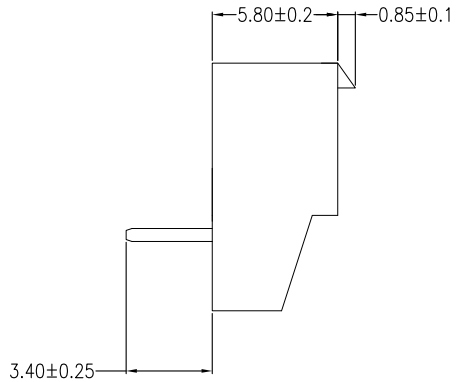
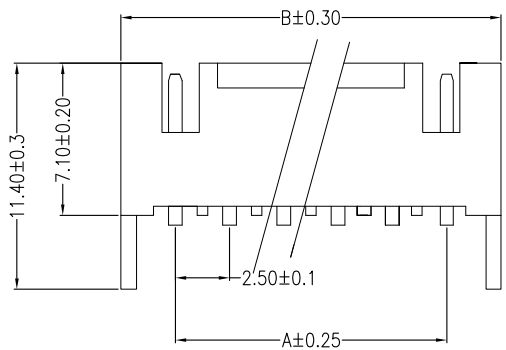
Circuits	Dimensions (mm)		
	A	B	C
02	2.50	6.00	7.50
03	5.00	8.50	10.00
04	7.50	11.00	12.50
05	10.00	13.50	15.00
06	12.50	16.00	17.50
07	15.00	18.50	20.00
08	17.50	21.00	22.50
09	20.00	23.50	25.00
10	22.50	26.00	27.50
11	25.00	28.50	30.00
12	27.50	31.00	32.50

ITEM	COMPONENT	Q'TY	MATERIAL	FINISH
c				
B	CONTACT	02~18 PCS	Brass	Sn-plated
A	PEDESTAL	1 PCS	PA66	UL 94V-0, COLOR:WHITE

JKUN 温州健坤接插件有限公司 WENZHOU JKUN CONNECTOR CO., LTD.	TITLE: A2502AW 2.5mmPITCH 90°WAFER DIP TYPE
	PART NO.: A2502AW-**-A5WA-P
	DWG NO.: JKUN-GCCP-0546
	SCALE: 1 : 1 SHEET: 1 / 1

X.±0.5	X.±5'	USE: CUSTOMER
.X±0.3	.X±2'	APPD: 邵敬和
.XX±0.25	.XX±1'	CHKD: 田峰
--	--	DR: 蒋建银

REV	ECN No.	DESCRIPTION	DESIGN	DATE
A0		Release	蒋建银	2018.01.15



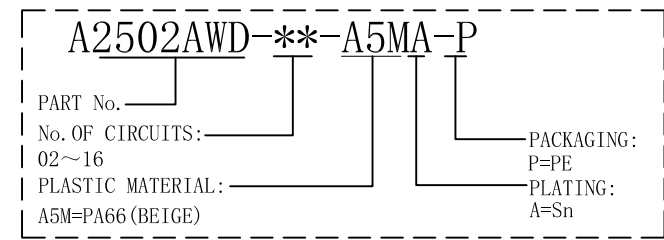
SUGGESTED PCB LAYOUT

主要技术参数 Main Specifications

线数 (Poles): 02 to 16
 接触电阻 (Contact resistance): $\leq 20m\Omega$
 绝缘电阻 (Insulation resistance): $\geq 1000M\Omega$
 额定电压 (Rated voltage): 250V AC DC
 额定电流 (Rated current): 3.0A AC DC
 耐电压 (Withstand Voltage): 1000V AC/minute
 温度范围 (Temperature Range): $-25^{\circ}C \sim +85^{\circ}C$

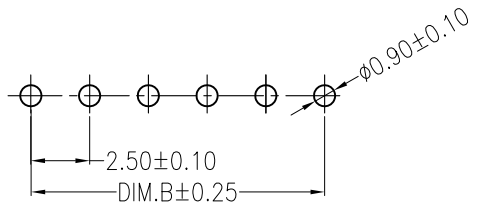
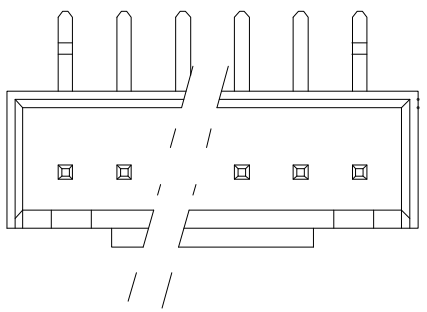
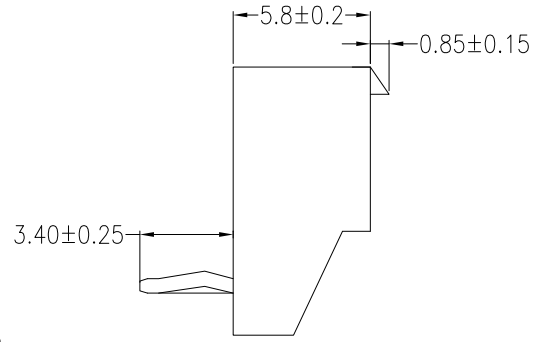
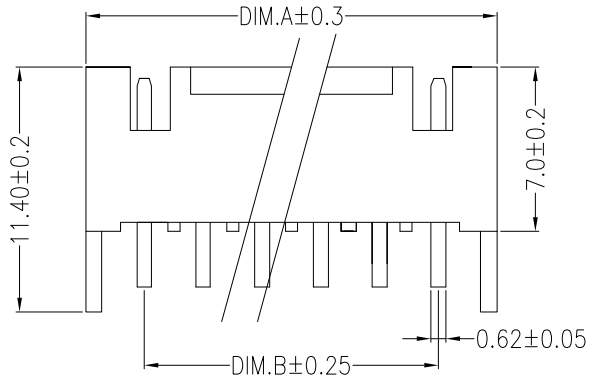
Circuits	Dimensions (mm)	
	A	B
02	2.50	7.50
03	5.00	10.00
04	7.50	12.50
05	10.00	15.00
06	12.50	17.50
07	15.00	20.00
08	17.50	22.50
09	20.00	25.00
10	22.50	27.50
11	25.00	30.00
12	27.50	32.50
13	30.00	35.00
14	32.50	37.50
15	35.00	40.00
16	37.50	42.50

ORDER INFORMATION:



c				
B	CONTACT	02~16 PCS	Brass	Sn-plated
A	PEDESTAL	1 PCS	PA66	UL 94V-0, COLOR:BEIGE
ITEM	COMPONENT	Q'TY	MATERIAL	FINISH
JKUN 温州健坤接插件有限公司 WENZHOU JKUN CONNECTOR CO., LTD				TITLE: A2502AWD-**-02P 2.5mmPITCH 90°WAFER DIP TYPE
X.±0.5	X.±5'	USE:	PART NO.:	
.X±0.3	.X±2'	APPD:	A2502AWD-**-A5MA-P	
.XX±0.25	.XX±1'	CHKD:	DWG NO.:	
--	--	DR:	JKUN-GCCP-0895	
⊕	◁	UNITS:	SCALE	SHEET
		mm	1 : 1	1 / 1

REV	ECN No.	DESCRIPTION	DESIGN	DATE
A0		Release	蒋建银	2017.08.10

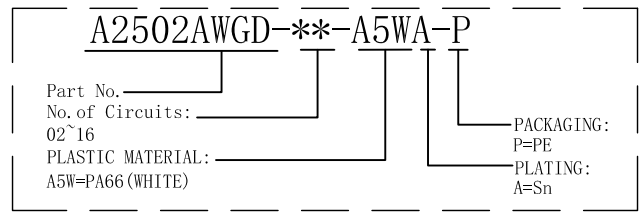


SUGGESTED PCB LAYOUT
(COMPONENT SIDE)

主要技术参数 Main Specifications

线 数 (Poles): 02 to 16
 接触电阻 (Contact resistance): $\leq 20m\Omega$
 绝缘电阻 (Insulation resistance): $\geq 1000M\Omega$
 额定电压 (Rated voltage): 250V AC DC
 额定电流 (Rated current): 3.0A AC DC
 耐 电 压 (Withstand Voltage): 1000V AC/minute
 温度范围 (Temperature Range): $-25^{\circ}C \sim +85^{\circ}C$

ORDER INFORMATION:



孔位	A	B
2	7.5	2.5
3	10	5.0
4	12.5	7.5
5	15.0	10.0
6	17.5	12.5
7	20.0	15.0
8	22.5	17.5
9	25.0	20.0
10	27.5	22.5
11	30.0	25.0
12	32.5	27.5
13	35.0	30.0
14	37.5	32.5
15	40.0	35.0
16	42.5	37.5

ITEM	COMPONENT	Q'TY	MATERIAL	FINISH
C				
B	CONTACT	2~16 PCS	Brass	Sn-plated
A	PEDESTAL	1 PCS	PA66	UL 94V-0, COLOR:WHITE

JKUN 温州健坤接插件有限公司 WENZHOU JKUN CONNECTOR CO., LTD.			TITLE: - 2.5mmPITCH 90°WAFER DIP TYPE	
X.±0.5	X.±5'	USE: CUSTOMER	PART NO.: A2502AWGD-**-A5WA-P	
.X±0.3	.X±2'		DWG NO.: JKUN/GCCP-0833	
.XX±0.25	.XX±1'	APPD: 刘振岭	SCALE: 1 : 1	
--	--	CHKD: 王亮	SHEET: 1 / 1	
⊕	◁	UNITS: mm	DR: 蒋建银	

A

B

C

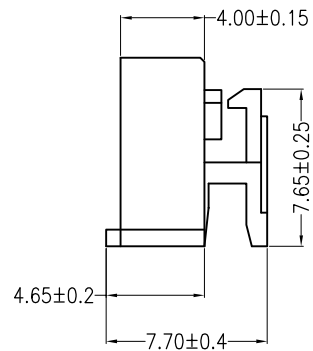
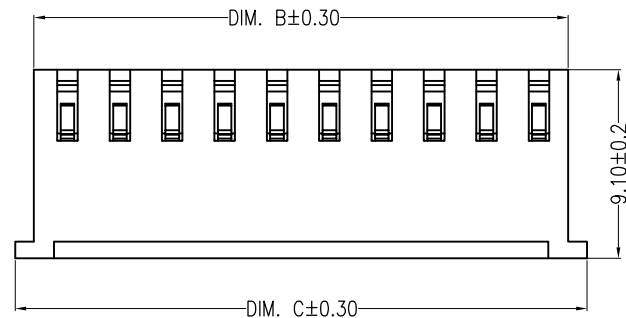
D

E

F

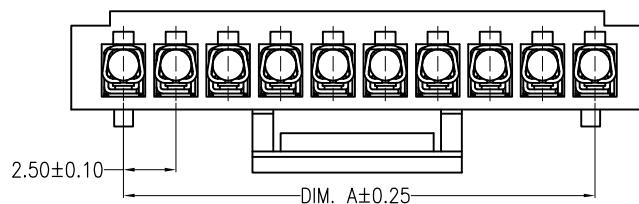
REV	DESCRIPTION	DESIGN	DATE
A0	Release	吴丹平	2013.03.05

1



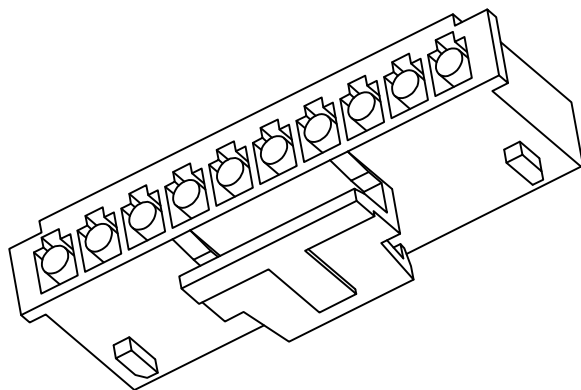
2

3



4

5



A

B

C

D

E

F

主要技术参数 Main Specifications

线 数 (Poles): 02 to 16

接触电阻 (Contact resistance): $\leq 20m\Omega$

绝缘电阻 (Insulation resistance): $\geq 1000M\Omega$

额定电压 (Rated voltage): 250V AC DC

额定电流 (Rated current): 3.0A AC DC

耐电压 (Withstand Voltage): 1000V AC/minute

温度范围 (Temperature Range): $-25^{\circ}C \sim +85^{\circ}C$

ORDER INFORMATION:

A2502Y-**-A5W-P	
PART No. _____	PACKAGING: _____
No. OF CIRCUITS: _____	P=PE
02~16	PLASTIC MATERIAL: _____
	A5W=PA66 (WHITE)

Circuits	Dimensions (mm)		
	DIM. A	DIM. B	DIM. C
02	2.50	5.75	7.25
03	5.00	8.25	9.75
04	7.50	10.75	12.25
05	10.00	13.25	14.75
06	12.50	15.75	17.25
07	15.00	18.25	19.75
08	17.50	20.75	22.25
09	20.00	23.25	24.75
10	22.50	25.75	27.25
11	25.00	28.25	29.75
12	27.50	30.75	32.25

ITEM	COMPONENT	Q'TY	MATERIAL	FINISH
C				
B				
A	PEDESTAL	1 PCS	PA66	UL 94-V0 COLOR: WHITE

JKUN 温州健坤接插件有限公司
WENZHOU JKUN CONNECTOR CO., LTD.

TITLE: -
2.5mm PITCH Housing

X.±0.5 X.±5'

USE: CUSTOMER

PART NO.:

.X±0.3 .X±2'

APPD: 邵敬和

A2502Y-**-A5W-P

.XX±0.25 .XX±1'

CHKD: 田峰

DWG NO.:
JKUN/GCCP-0549

-- --

DR: 吴丹平

SCALE

SHEET

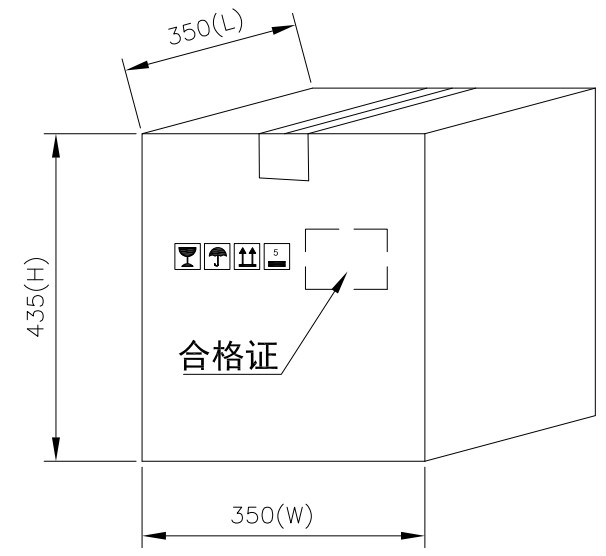
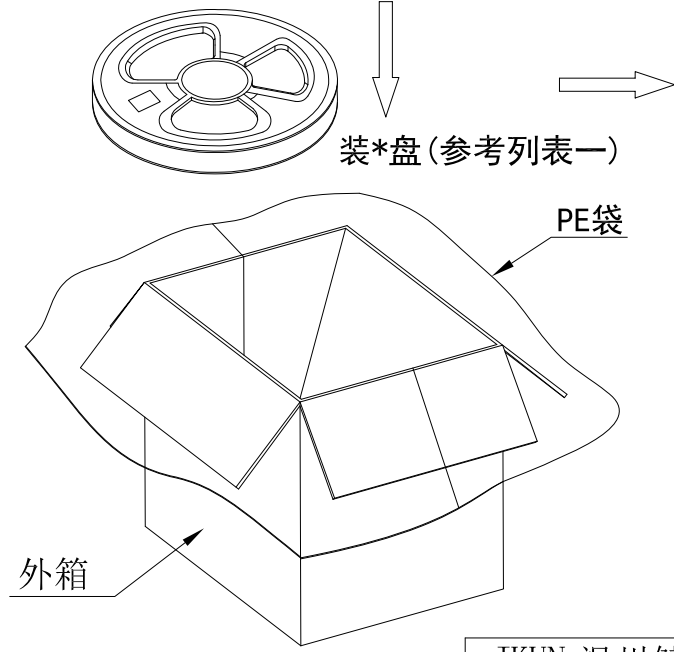
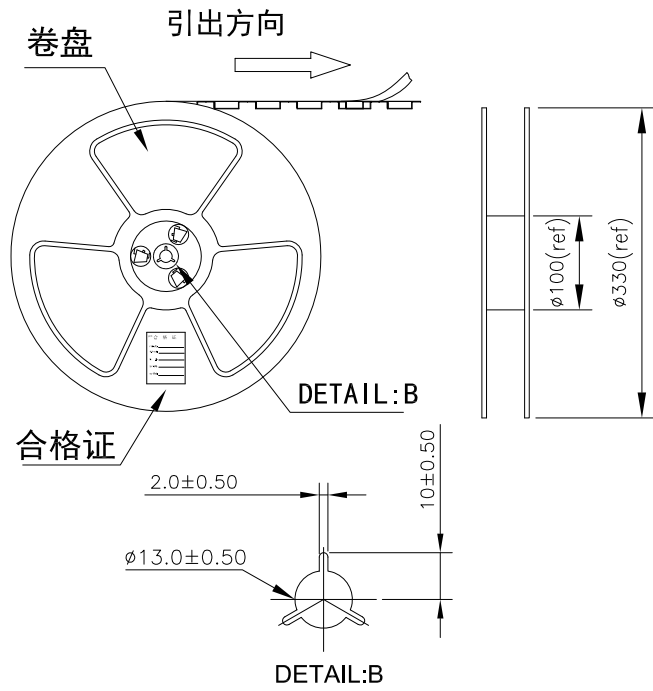
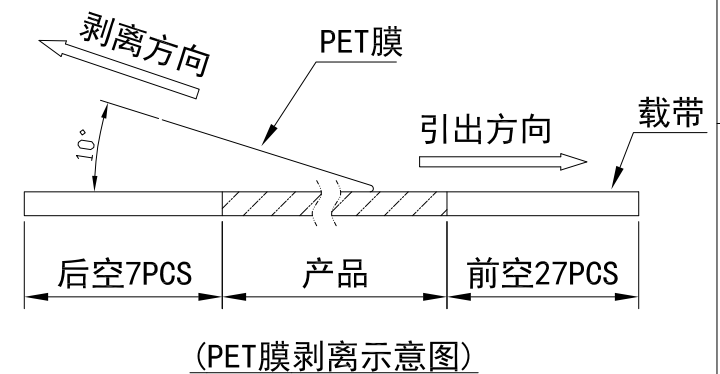
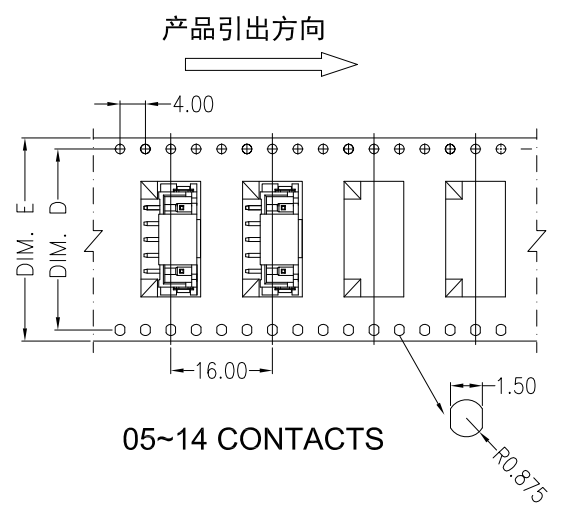
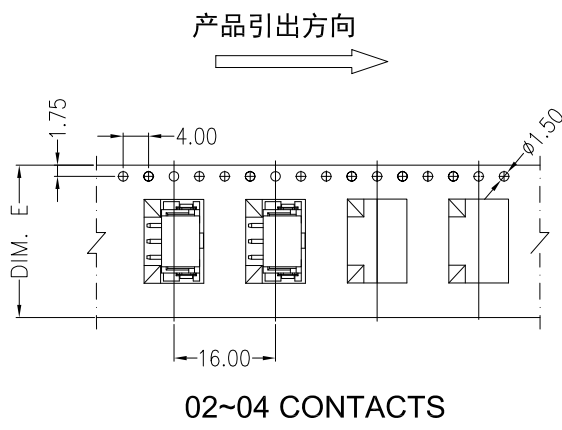


UNITS: mm

1 : 1

1 / 1

REV	ECN No.	DESCRIPTION	DESIGN	DATE
A		Release	蒋建银	2018.06.22



列表一

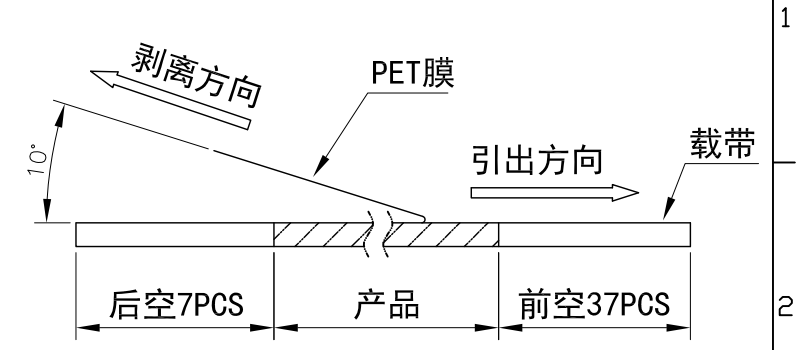
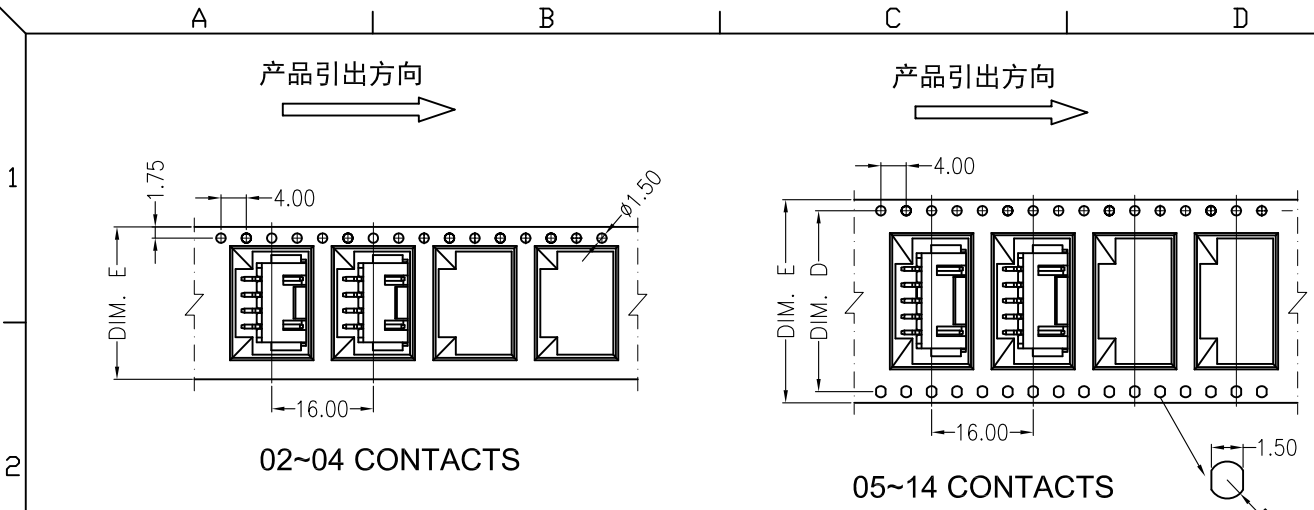
Circuits	DIM. D	DIM. E	Q'ty/Reel	Packing (Reel/Caton)
02-04PIN	-	24	500PCS	15/Reel
05-06PIN	28.4	32	500PCS	11/Reel
07-10PIN	40.4	44	500PCS	8/Reel
11-14PIN	52.4	56	500PCS	7/Reel

包装说明:

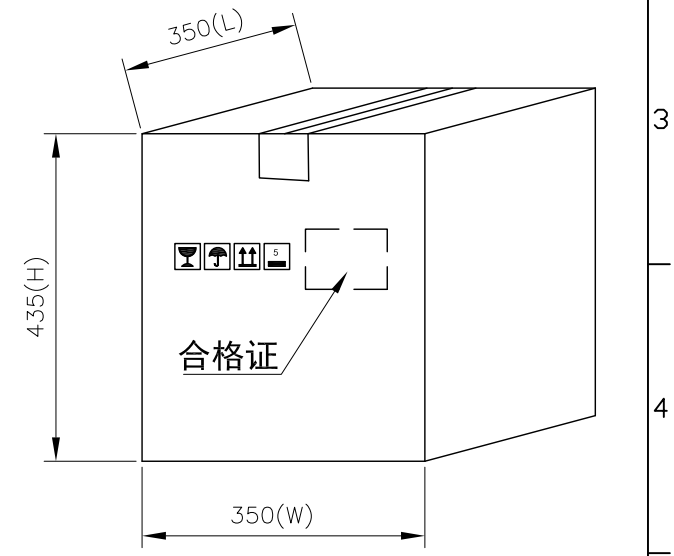
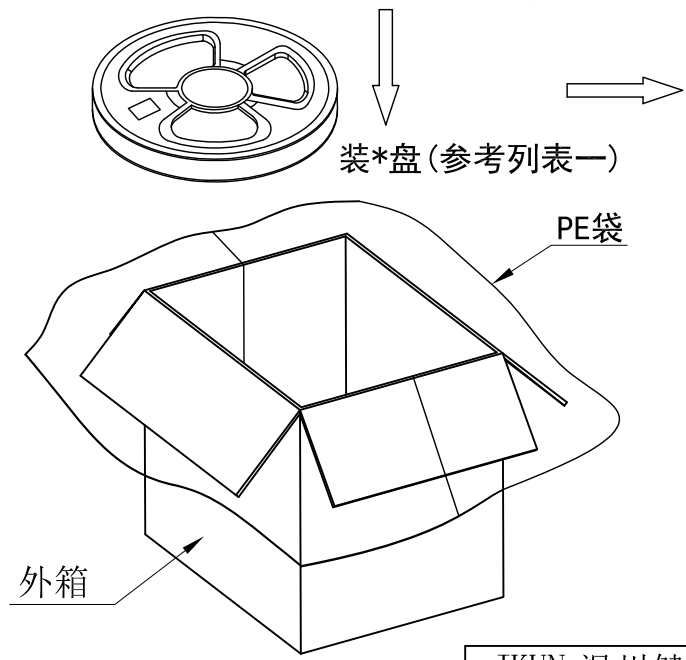
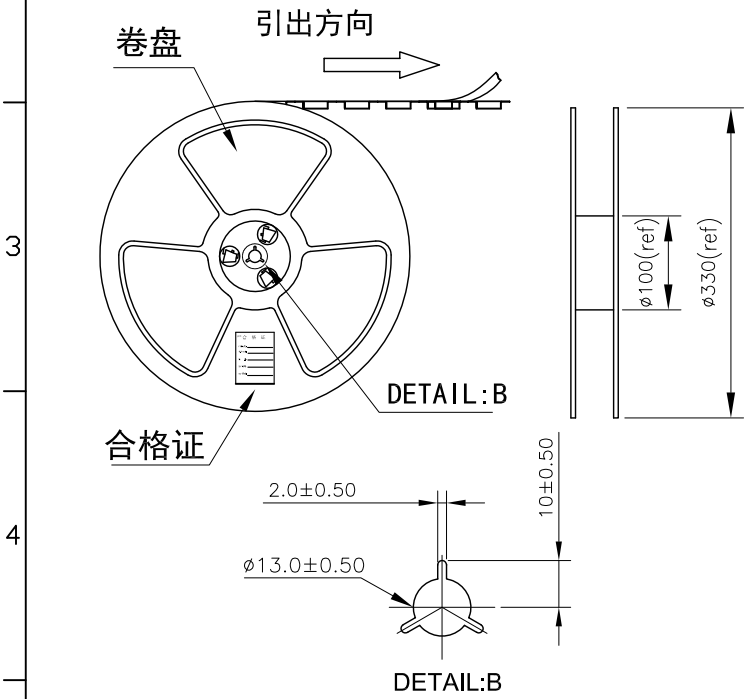
- 把成品包入卷盘中, 每盘装500PCS, 卷盘上贴上合格证, 将装好产品的卷盘放进外箱中, 外箱内先套一个大PE袋, 外箱上贴贴上合格证。
- 所有材料有害物控制需符合RoHS标准。

JKUN 温州健坤接插件有限公司 WENZHOU JKUN CONNECTOR CO., LTD.		TITLE: A2502AWV 包装规范	
X.± 0.5	X.±*	USE: MANUFACTURE	PART NO.: A2502AWV-nP
.X± 0.3	.X±*	APPD: 邵敬和	DWG NO.: JKUN/GCBZ-0515
.XX±0.25	.XX±*	CHKD: 田峰	SCALE 1 : 1
--	--	DR: 蒋建银	SHEET 1 / 1
UNITS: mm			

REV	ECN No.	DESCRIPTION	DESIGN	DATE
A		Release	吴丹平	2015.11.12



(PET膜剥离示意图)



列表一

Circuits	DIM. D	DIM. E	Q'ty/Reel	Packing (Reel/Caton)
02-04PIN	-	24	700PCS	15/Reel
05-06PIN	28.4	32	700PCS	11/Reel
07-10PIN	40.4	44	700PCS	8/Reel
11-15PIN	52.4	56	700PCS	7/Reel

包装说明:

- 把成品包入卷盘中, 每盘装700PCS, 卷盘上贴上合格证, 将装好产品的卷盘放进外箱中, 外箱内先套一个大PE袋, 外箱上贴贴上合格证.
- 所有材料有害物控制需符合RoHS标准.

JKUN 温州健坤接插件有限公司 WENZHOU JKUN CONNECTOR CO., LTD.			TITLE: A2501AWR 包装规范	
X.± 0.5	X.±'	USE: MANUFACTURE	PART NO.:	
.X± 0.3	.X±'	APPD: 邵敬和	A2502AWR-nP	
.XX±0.25	.XX±'	CHKD: 田峰	DWG NO.:	
--	--	DR: 吴丹平	JKUN/GCBZ-0514	
UNITS: mm			SCALE 1 : 1	SHEET 1 / 1