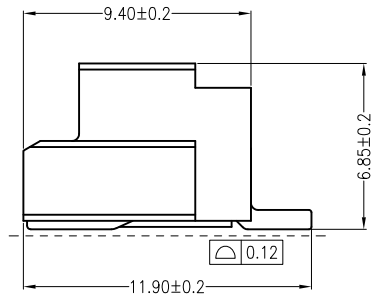
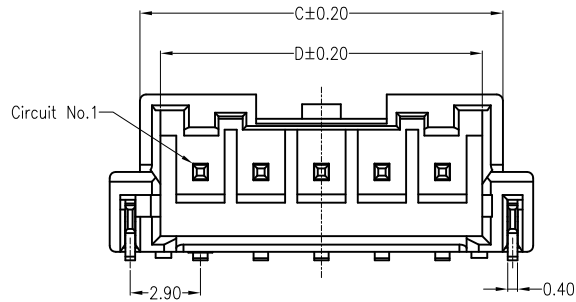


RECOMMENDED PCB LAYOUT

REV	DESCRIPTION	DESIGN	DATE
A	NEW RELEASE	Lingqing	2021/09/10

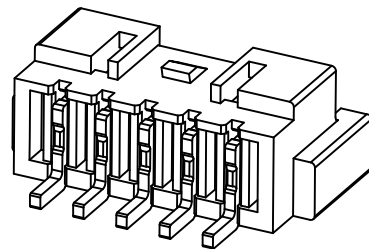
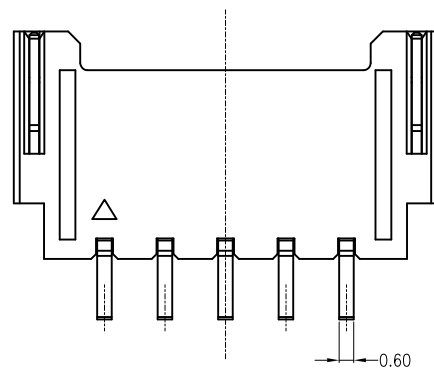
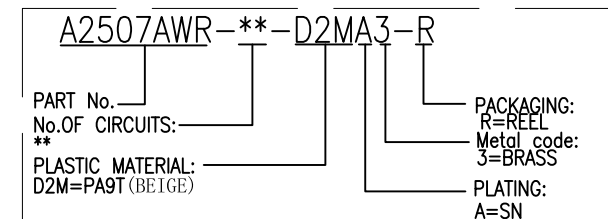
Circuits	Dimensions (mm)			
	A	B	C	D
02	2.50	10.00	7.50	5.80
03	5.00	12.50	10.00	8.30
04	7.50	15.00	12.50	10.80
05	10.00	17.50	15.00	13.30
06	12.50	20.00	17.50	15.80
07	15.00	22.50	20.00	18.30
08	17.50	25.00	22.50	20.80
09	20.00	27.50	25.00	23.30
10	22.50	30.00	27.50	25.80
11	25.00	32.50	30.00	28.30
12	27.50	35.00	32.50	30.80
13	30.00	37.50	35.00	33.30
14	32.50	40.00	37.50	35.80
15	35.00	42.50	40.00	38.30



Specifications:

- Contact resistance: ≤10mΩ
- Insulation resistance: ≥1000MΩ
- Rated voltage: 250V AC DC
- Rated current: 3.0A AC DC
- Withstand Voltage: 1000V AC/minute
- Temperature Range: -25°C ~ +85°C
- Housing: PA9T UL94V-0, Natural (Beige)
- Contacts: Brass/Sn-plated
- Solder Tabs: Brass/Sn-plated

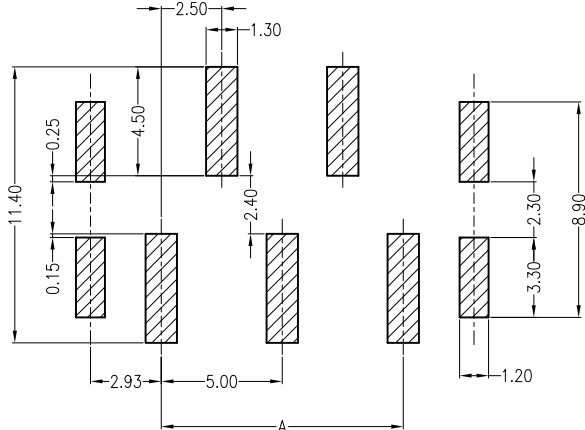
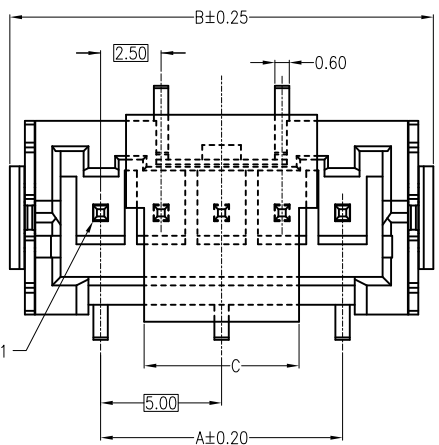
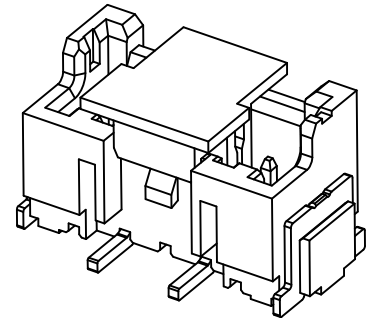
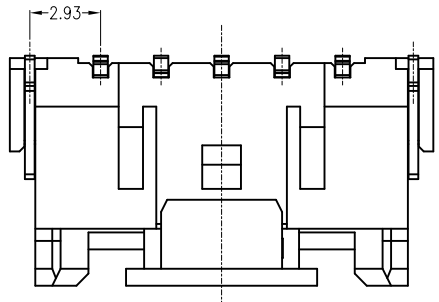
ORDER INFORMATION:



JKUN 温州健坤接插件有限公司 WENZHOU JKUN CONNECTOR CO.,LTD.		TITLE: 2.50mm PITCH 90° WAFER SMT TYPE	
GENERAL TOLERANCE		USE: CUSTOMER	PART NO.:
X. ±0.50	X. ±5°	APPD: Shaojinghe	A2507AWR-**-D2MA3-R
X.X ±0.30	X.X ±2°	CHKD: Fangsongle	DWG NO.:
X.XX ±0.20	X.XX ±1°	DR: Zenglingqing	JKUN-GCKH-0948
UNITS: mm		SCALE 1 : 1	SHEET 1 / 1

REV	DESCRIPTION	DESIGN	DATE
A	NEW RELEASE	Lingqing	2020/08/22

Circuits	Dimensions (mm)		
	A	B	C
02	2.50	10.00	5.30
03	5.00	12.50	
04	7.50	15.00	6.40
05	10.00	17.50	
06	12.50	20.00	
07	15.00	22.50	
08	17.50	25.00	
09	20.00	27.50	
10	22.50	30.00	
11	25.00	32.50	
12	27.50	35.00	
13	30.00	37.50	
14	32.50	40.00	
15	35.00	42.50	

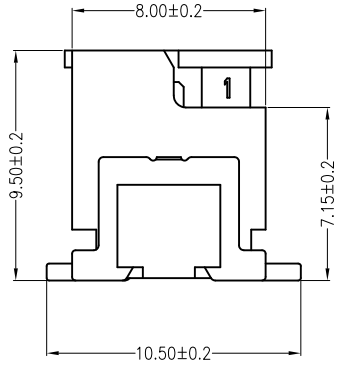
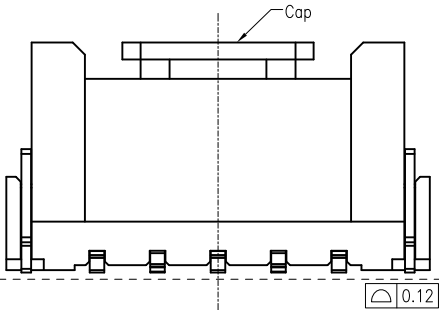
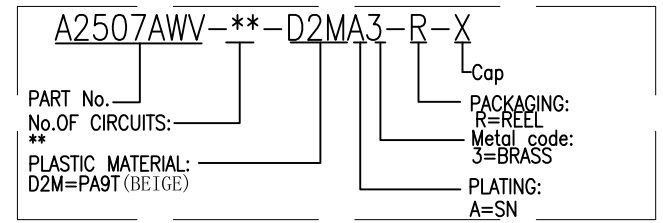


RECOMMENDED PCB LAYOUT

Specifications:

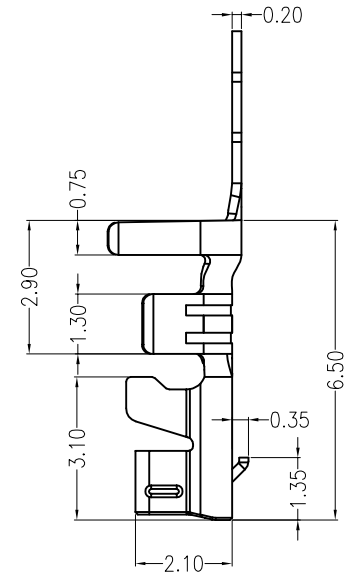
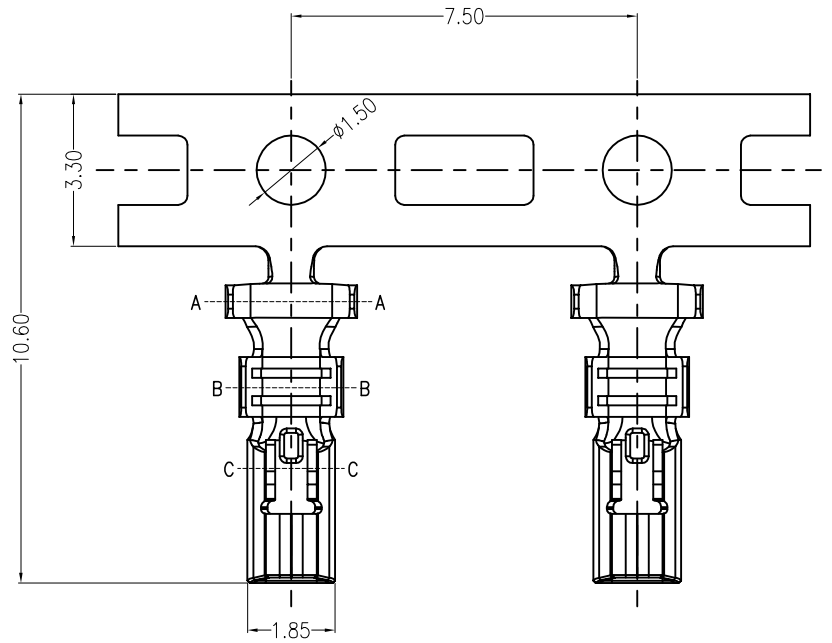
Contact resistance: ≤10mΩ
 Insulation resistance: ≥1000MΩ
 Rated voltage: 250V AC DC
 Rated current: 3.0A AC DC
 Withstand Voltage: 1000V AC/minute
 Temperature Range: -25°C ~ +85°C
 Housing: PA9T UL94V-0, Natural (Beige)
 Cap: PA9T UL94V-0, Natural (Beige)
 Contacts: Brass/Sn-plated
 Solder Tabs: Brass/Sn-plated

ORDER INFORMATION:



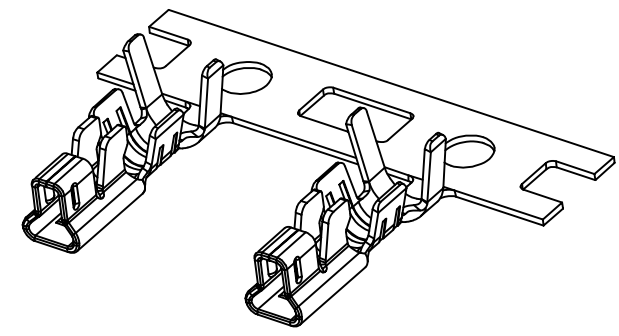
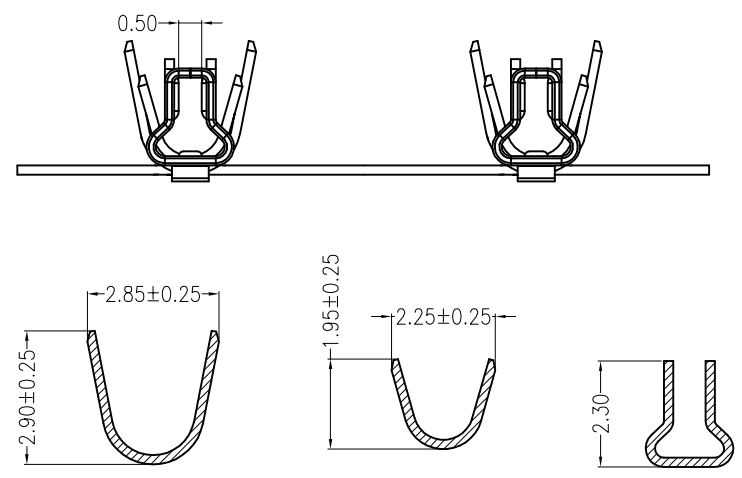
JKUN 温州健坤接插件有限公司 WENZHOU JKUN CONNECTOR CO.,LTD.		TITLE: 2.50mmPITCH 180°WAFER SMT TYPE	
GENERAL TOLERANCE		USE: CUSTOMER	PART NO.:
X. ±0.50	X. ±5°	APPD: WangFeng	A2507AWV-**-D2MA3-R-X
X.X ±0.30	X.X ±2°	CHKD: Shaojinghe	DWG NO.:
X.XX ±0.20	X.XX ±1°	DR: Zenglingqing	JKUN-GCKH-0853
UNITS: mm		SCALE 1 : 1	SHEET 1 / 1

REV	DESCRIPTION	DESIGN	DATE
A	NEW RELEASE	Lingqing	2022/07/23

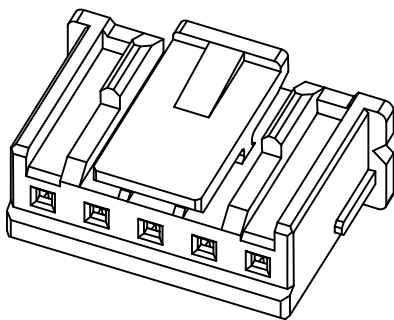
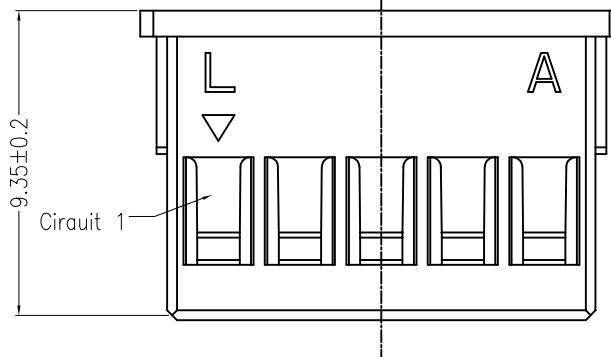
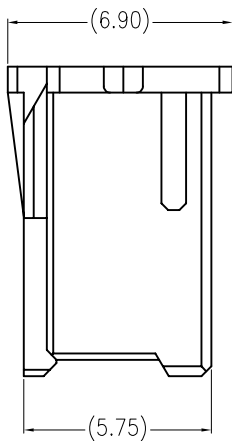
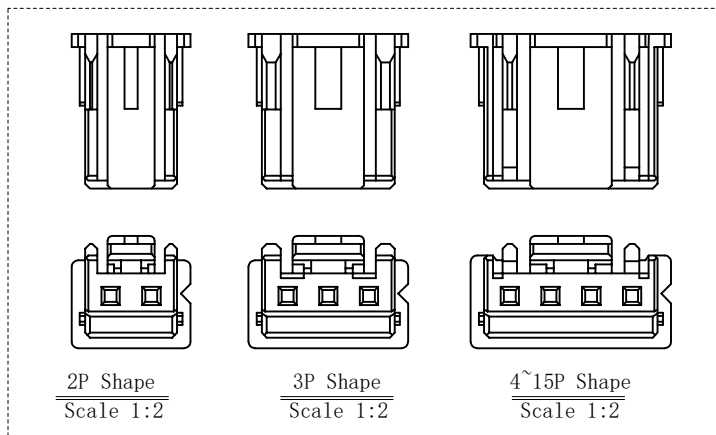
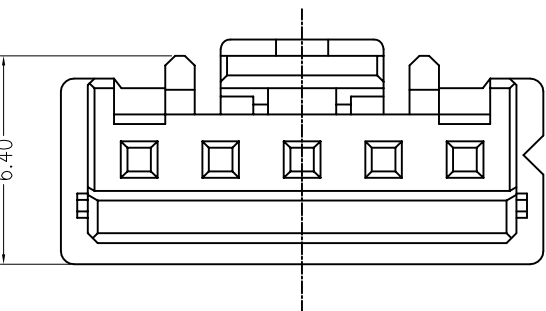
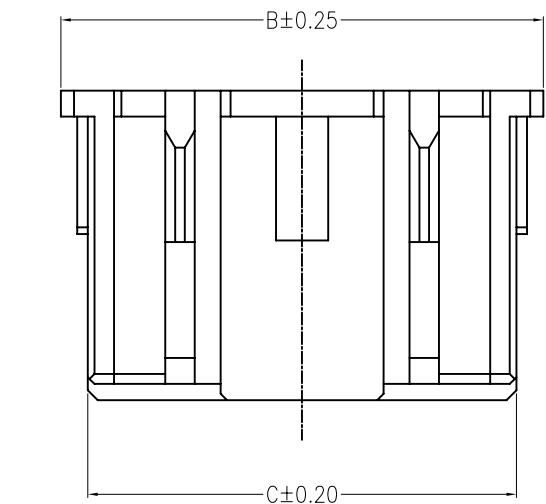
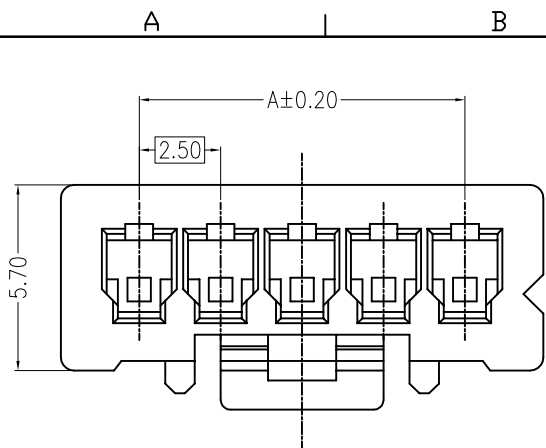


Specifications:

Contact resistance: $\leq 10\text{m}\Omega$
 Insulation resistance: $\geq 1000\text{M}\Omega$
 Rated voltage: 250V AC DC
 Rated current:
 AWG22#: 3.0A AC DC
 AWG24#~26#: 2.0A AC DC
 Withstand Voltage: 1000V AC/minute
 Temperature Range: $-40^{\circ}\text{C} \sim +105^{\circ}\text{C}$
 Contacts: Phosphor Bronze Sn-plated
 Wire Range: AWG#26~22
 Insulation O.D.: $\phi 1.90\text{mm}$ Max



JKUN 温州健坤接插件有限公司 WENZHOU JKUN CONNECTOR CO.,LTD.		TITLE: MX 2.50 Terminal	
GENERAL TOLERANCE		USE: CUSTOMER	PART NO.:
X. ± 0.50	X. $\pm 5^{\circ}$	APPD: Zhuzhigang	A2507T-01
X.X ± 0.30	X.X $\pm 2^{\circ}$		DWG NO.:
X.XX ± 0.20	X.XX $\pm 1^{\circ}$	CHKD: Zenglingqing	JKUN-GCDZ-0108
	UNITS: mm	DR: Jiangjianying	SCALE 1 : 1
			SHEET 1 / 1



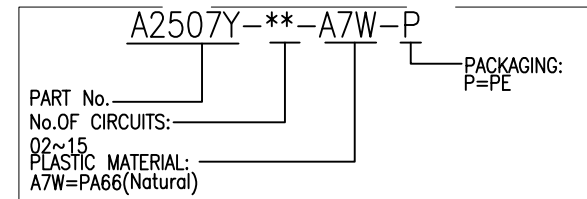
REV	DESCRIPTION	DESIGN	DATE
A	NEW RELEASE	Lingqing	2022/07/23

Specifications:

Contact resistance: $\leq 10\text{m}\Omega$
 Insulation resistance: $\geq 1000\text{M}\Omega$
 Rated voltage: 250V AC DC
 Rated current: 3.0A AC DC
 Withstand Voltage: 1000V AC/minute
 Temperature Range: $-20^{\circ}\text{C} \sim +85^{\circ}\text{C}$
 Housing: PA66 UL94V-0, Natural

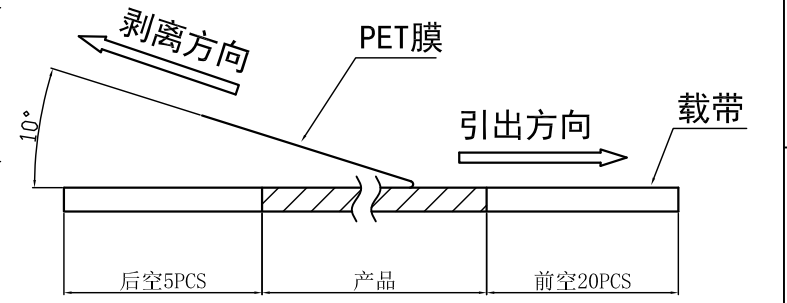
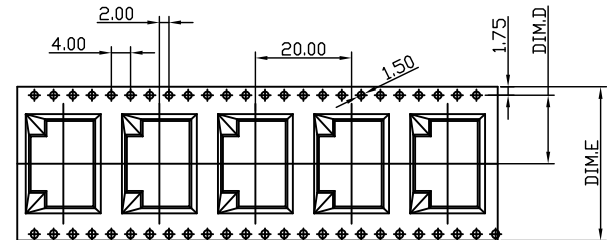
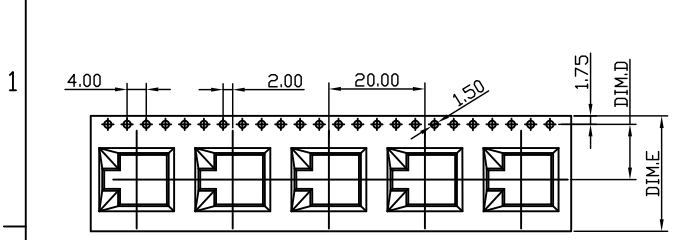
PIN.	Dimensions (mm)		
	A	B	C
02	2.50	7.30	5.65
03	5.00	9.80	8.15
04	7.50	12.30	10.65
05	10.00	14.80	13.15
06	12.50	17.30	15.65
07	15.00	19.80	18.15
08	17.50	22.30	20.65
09	20.00	24.80	23.15
10	22.50	27.30	25.65
11	25.00	29.80	28.15
12	27.50	32.30	30.65
13	30.00	34.80	33.15
14	32.50	37.30	35.65
15	35.00	39.80	38.15

ORDER INFORMATION:



JKUN 温州健坤接插件有限公司 WENZHOU JKUN CONNECTOR CO.,LTD.		TITLE: 2.50mm PITCH Housing	
GENERAL TOLERANCE		USE: CUSTOMER	PART NO.:
X. ± 0.50	X. $\pm 5^{\circ}$	APPD: Zhuzhigang	A2507Y-**-A7W-P
X.X ± 0.30	X.X $\pm 2^{\circ}$	CHKD: Zenglingqing	DWG NO.:
X.XX ± 0.20	X.XX $\pm 1^{\circ}$	DR: Jiangjianying	JKUN-GCKH-1544
UNITS: mm		SCALE 1 : 1	SHEET 1 / 1

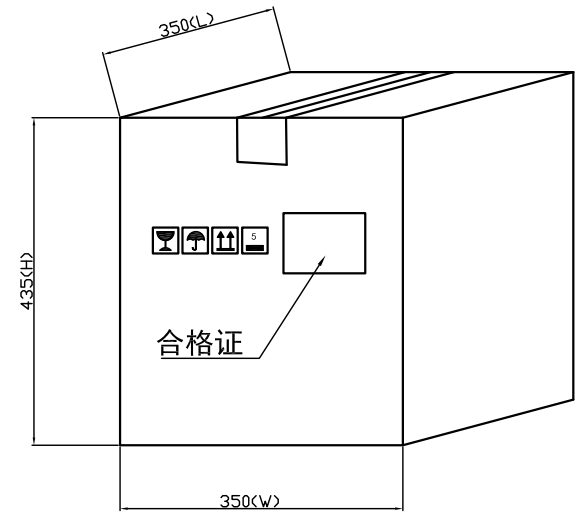
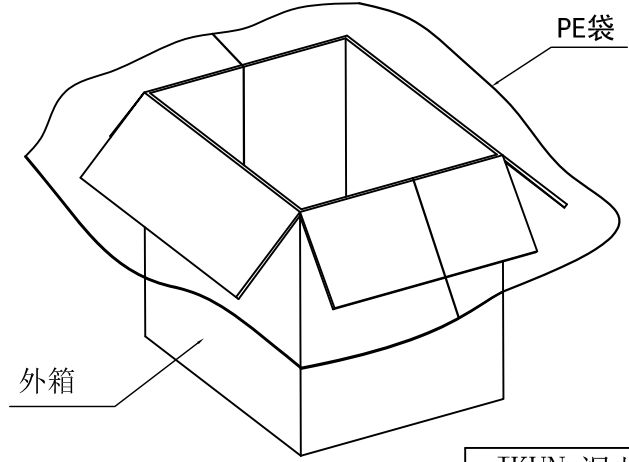
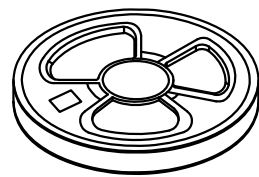
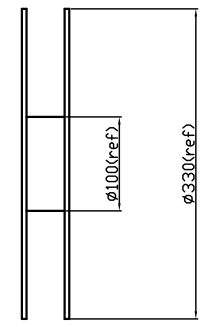
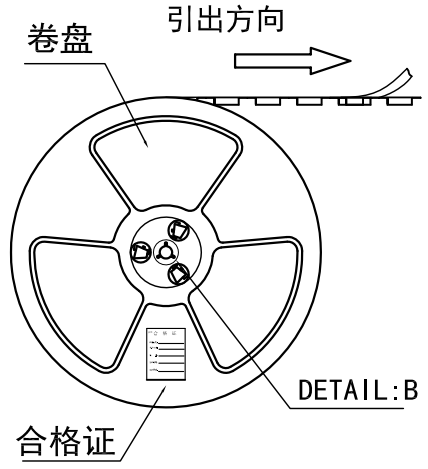
REV	ECN No.	DESCRIPTION	DESIGN	DATE
A		Release	曾令青	2022.02.25



02~04 CONTACTS 产品引出方向

05~11 CONTACTS 产品引出方向

(PET膜剥离示意图)



列表一

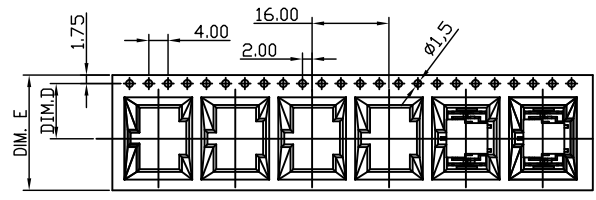
Circuits	DIM. D	DIM. E	Q'ty/Reel	Packing (Reel/Caton)
02~04 PIN	11.5	24	450PCS	15/Reel
05 PIN	14.25	32	450PCS	11/Reel
08 PIN	20.25	44	450PCS	8/Reel
11 PIN	26.20	56	450PCS	7/Reel

包装说明:

- 把成品包入卷盘中, 每盘装450PCS, 卷盘上贴上合格证, 将装好产品的卷盘放进外箱中, 外箱内先套一个大PE袋, 外箱上贴贴上合格证。
- 所有材料有害物控制需符合RoHS标准。

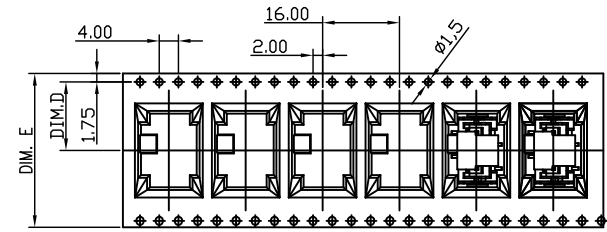
JKUN 温州健坤接插件有限公司 WENZHOU JKUN CONNECTOR CO., LTD.			TITLE: A2507AWR	
X.± 0.5	X.±*	USE: MANUFACTURE	PART NO.:	
.X± 0.3	.X±*		A2507AWR包装规范	
.XX±0.25	.XX±*	APPD: 张忠永	DWG NO.:	
--	--	CHKD: 蒋建银	JKUN/GCBZ-0948	
UNITS: mm	DR: 曾令青	SCALE 1 : 1	SHEET 1 / 1	

REV	ECN No.	DESCRIPTION	DESIGN	DATE
A		Release	曾令青	2021.05.08



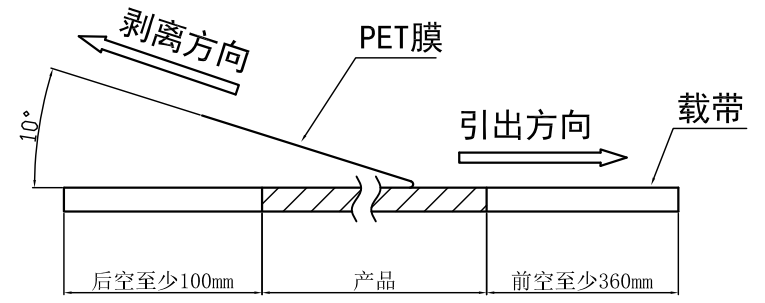
02~03 CONTACTS

产品引出方向
→

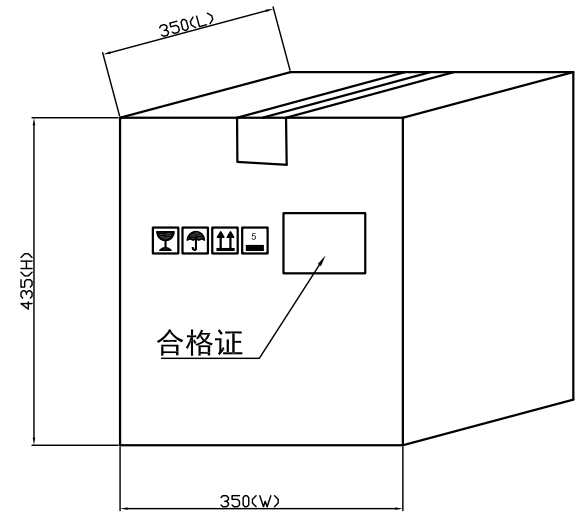
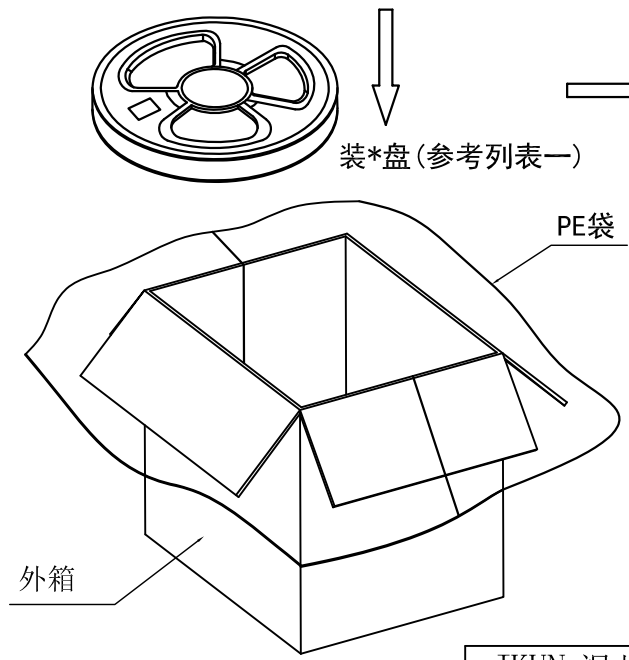
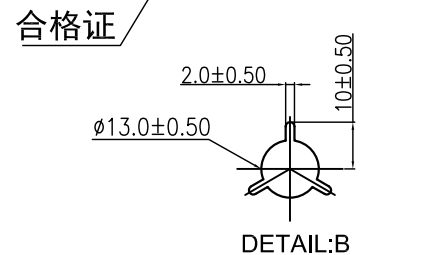
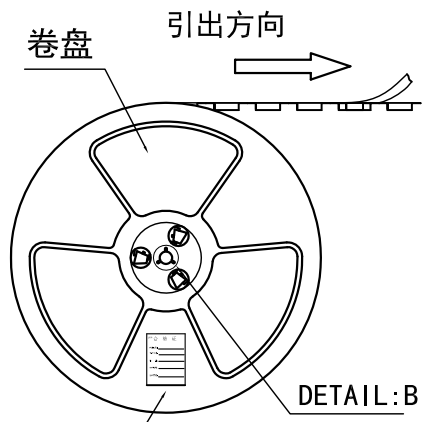


04~09 CONTACTS

产品引出方向
→



(PET膜剥离示意图)



列表一

Circuits	DIM. D	DIM. E	Q'ty/Reel	Packing (Reel/Caton)
02-03 PIN	11.50	24	400PCS	15/Reel
04-05 PIN	14.25	32	400PCS	11/Reel
06-09 PIN	20.25	44	400PCS	8/Reel

包装说明:

- 把成品包入卷盘中, 每盘装400PCS, 卷盘上贴上合格证, 将装好产品的卷盘放进外箱中, 外箱内先套一个大PE袋, 外箱上贴贴上合格证。
- 所有材料有害物控制需符合RoHS标准。

JKUN 温州健坤接插件有限公司 WENZHOU JKUN CONNECTOR CO., LTD.			TITLE: A2507AWV	
X.± 0.5	X.±*	USE: MANUFACTURE	PART NO.:	
.X± 0.3	.X±*		A2507AWV包装规范	
.XX±0.25	.XX±*	APPD: 邵敬和	DWG NO.:	
--	--	CHKD: 蒋建银	JKUN/GCBZ-0853	
⊕	◁	UNITS: mm	DR: 曾令青	SCALE 1 : 1
			SHEET 1 / 1	