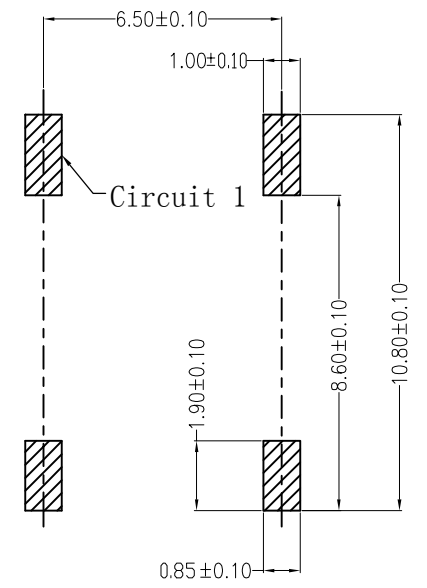
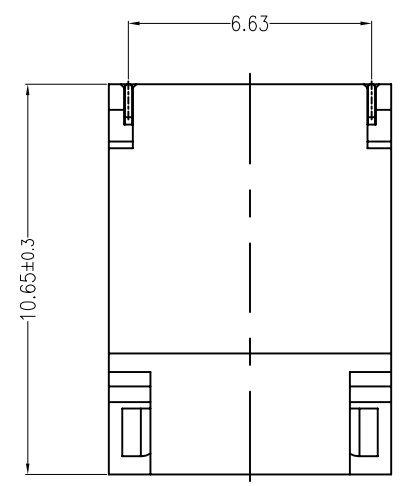
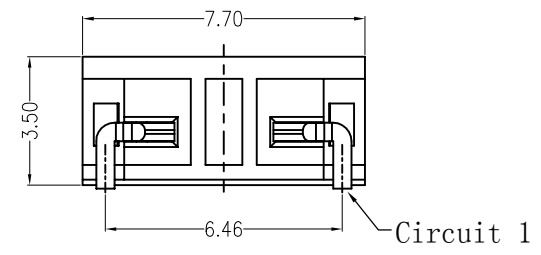
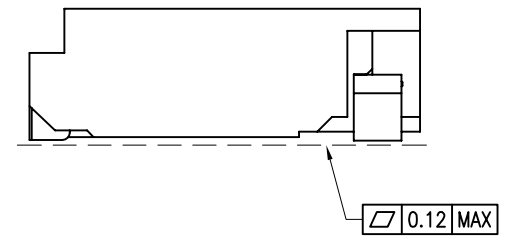
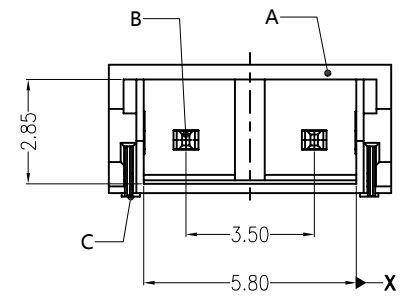


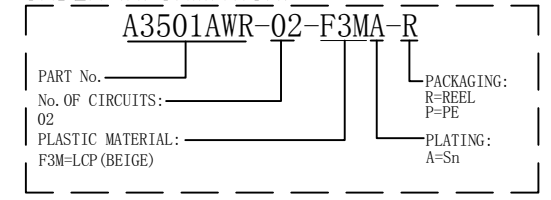
REV	DESCRIPTION	DESIGN	DATE
A0	Release	吴丹平	2016.11.11



**主要技术参数 Main Specifications**

- 线 数 (Poles): 02
- 接触电阻 (Contact resistance):  $\leq 20m\Omega$
- 绝缘电阻 (Insulation resistance):  $\geq 1000M\Omega$
- 额定电压 (Rated voltage): 1400V AC DC
- 额定电流 (Rated current): 1.0A AC DC
- 耐 电 压 (Withstand Voltage): 3800V AC/minute
- 温度范围 (Temperature Range):  $-25^{\circ}C \sim +105^{\circ}C$

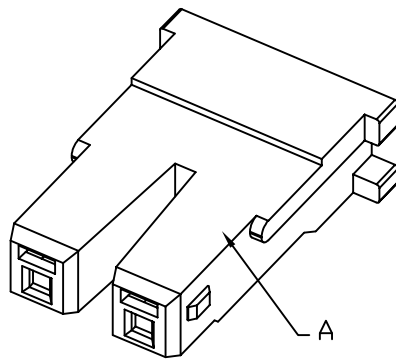
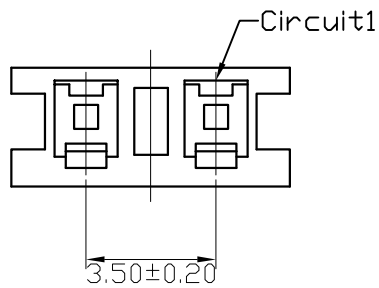
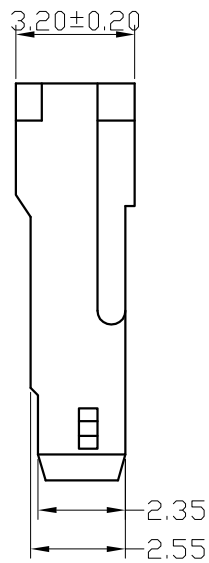
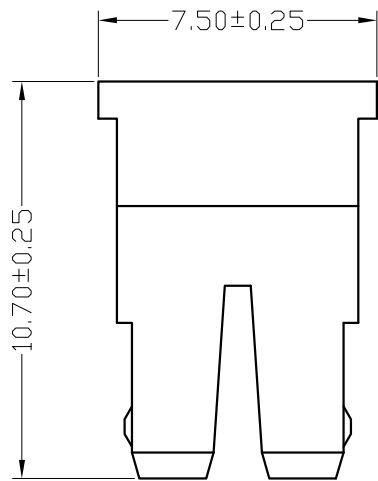
**ORDER INFORMATION:**



**SUGGESTED PCB LAYOUT  
(COMPONENT SIDE)**

ITEM	COMPONENT	Q'TY	MATERIAL	FINISH
C	SOLDER TAB	2 PCS	PhosphorBronze	Sn-plated
B	CONTACT	2 PCS	PhosphorBronze	Sn-plated
A	PEDESTAL	1 PCS	LCP	UL 94V-0, COLOR:BEIGE

<b>JKUN 温州健坤接插件有限公司</b> <b>WENZHOU JKUN CONNECTOR CO., LTD.</b>			TITLE: - 3.5mmPITCH 90°WAFER SMT TYPE	
X.±0.5	X.±5'	USE:	CUSTOMER	
.X±0.3	.X±2'			
.XX±0.25	.XX±1'	APPD:	PART NO.: A3501AWR-02-F3MA-R	
--	--	邵敬和		
⊕	⊖	CHKD:	DWG NO.: JKUN-GCCP-0565	
⊖	⊕	田峰		
⊕	⊖	DR:	SCALE	SHEET
⊖	⊕	蒋建银	1 : 1	1 / 1

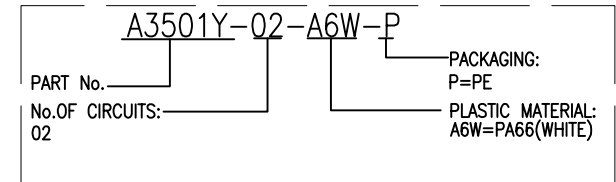


REV	ECN No.	DESCRIPTION	DESIGN	DATE
A0		NEW RELEASE	吴丹平	2017.03.25

**SPECIFICATION**

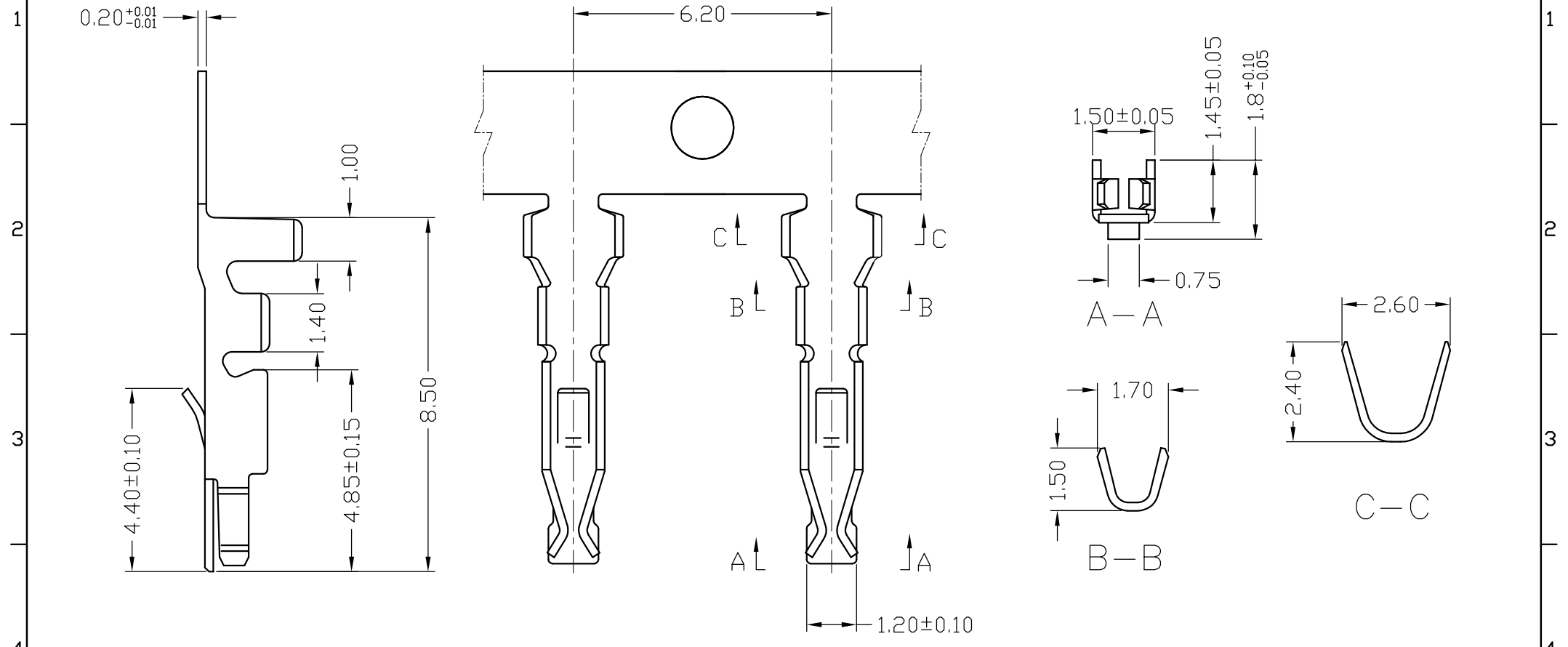
- 1 Contact resistance:  $\leq 10m\Omega$
- 2 Insulation resistance:  $\geq 1000M\Omega$
- 3 Rated voltage: 1400 V AC DC
- 4 Rated current: 1.0 A AC DC
- 5 Withstand Voltage: 3800V AC/minute
- 6 Temperature Range:  $-25^{\circ}C \sim +85^{\circ}C$

**ORDER INFORMATION:**



ITEM	COMPONENT	Q'TY	MATERIAL	FINISH
C				
B				
A	HOUSING	1 PCS	PA66	COLOR:WHITE
<b>JKUN</b> 温州健坤接插件有限公司 WENZHOU JKUN CONNECTOR CO., LTD.				TITLE: A3501Y 3.50mm PITCH HOUSING
X.±0.5	X.±5'	USE:	PART NO.:	
.X±0.3	.X±2'	APPD:	A3501Y-02-A6W-P	
.XX±0.25	.XX±1'	CHKD:	DWG NO.:	
--	--	DR:	JKUN-GCCP-0566	
⊕	UNITS: mm	DR: 吴丹平	SCALE	SHEET
			1 : 1	1 / 1

REV	ECN No.	DESCRIPTION	DESIGN	DATE
A0		Release	吴丹平	2017.05.31



### Ordering Information & Specification:

Part No	Wire Range	Insulation O.D.	Material	Finish	Qty/Reel
A3501T-PA-Z	AWG #24~#28	1.60mm(max)	Phosphor bronze	Tin-plated	10.000 pcs

JKUN 温州健坤接插件有限公司 WENZHOU JKUN CONNECTOR CO., LTD.			TITLE: A3501T	
$X \pm 0.5$	$X \pm 5'$	USE: CUSTOMER	PART NO.:	
$.X \pm 0.3$	$.X \pm 2'$		A3501T-PA	
$.XX \pm 0.25$	$.XX \pm 1'$	APPD: 邵敬和	DWG NO.:	
--	--	CHKD: 田峰	JKUN-GCDZ-0020	
		UNITS: mm	DR: 吴丹平	SCALE 1 : 1
			SHEET 1 / 1	