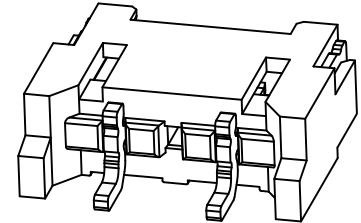
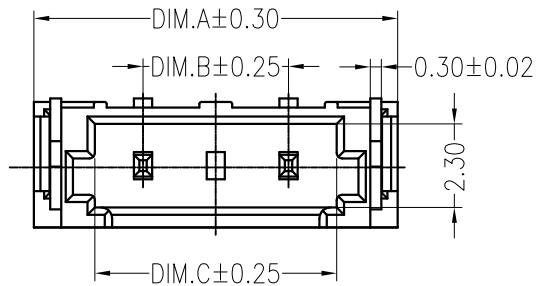


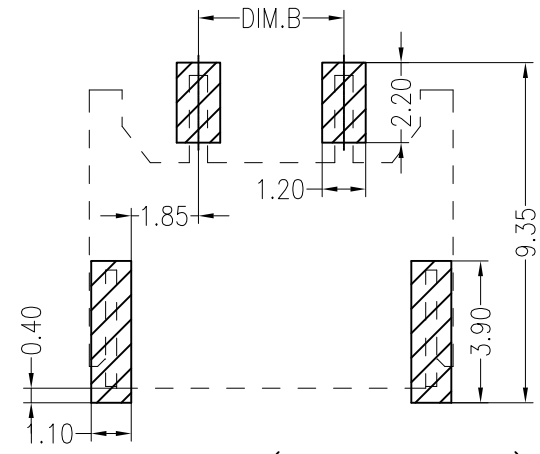
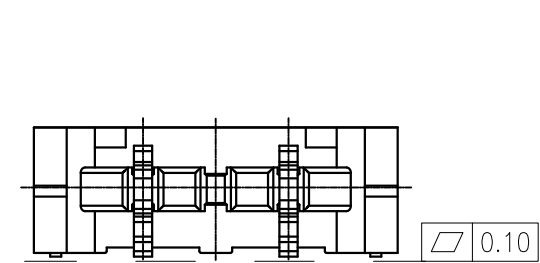
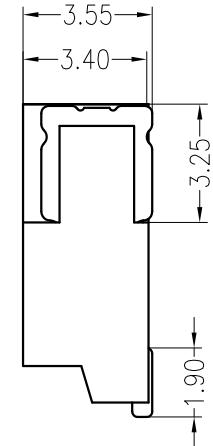
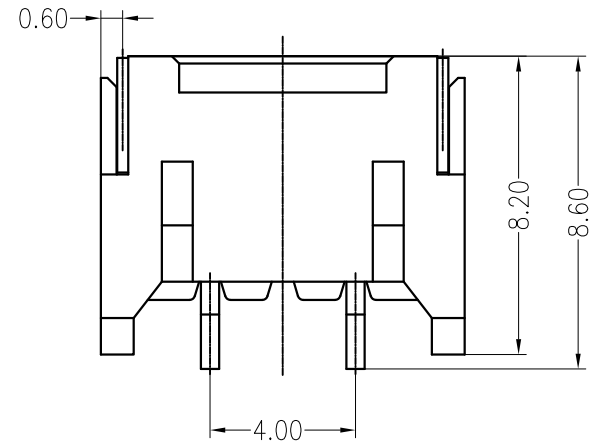
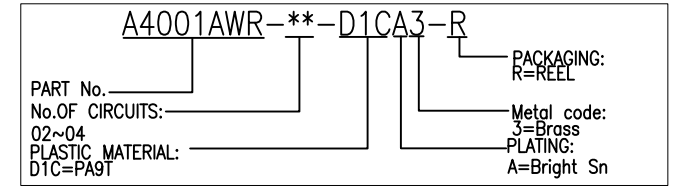
REV	DESCRIPTION	DESIGN	DATE
A0	NEW RELEASE	FangSongLe	2019/06/22



Specifications:

Poles:02~04P
 Contact resistance:≤10mΩ
 Insulation resistance:≥1000MΩ
 Rated voltage:600V AC DC
 Rated current:1.0A AC DC
 Withstand Voltage: 1800V AC/minute
 Temperature Range:-25℃~ +85℃
 Housing:PA9T UL94V-0,Natural
 Contacts:Brass/Sn-plated
 Solder Tabs:Brass/Sn-plated

ORDER INFORMATION:

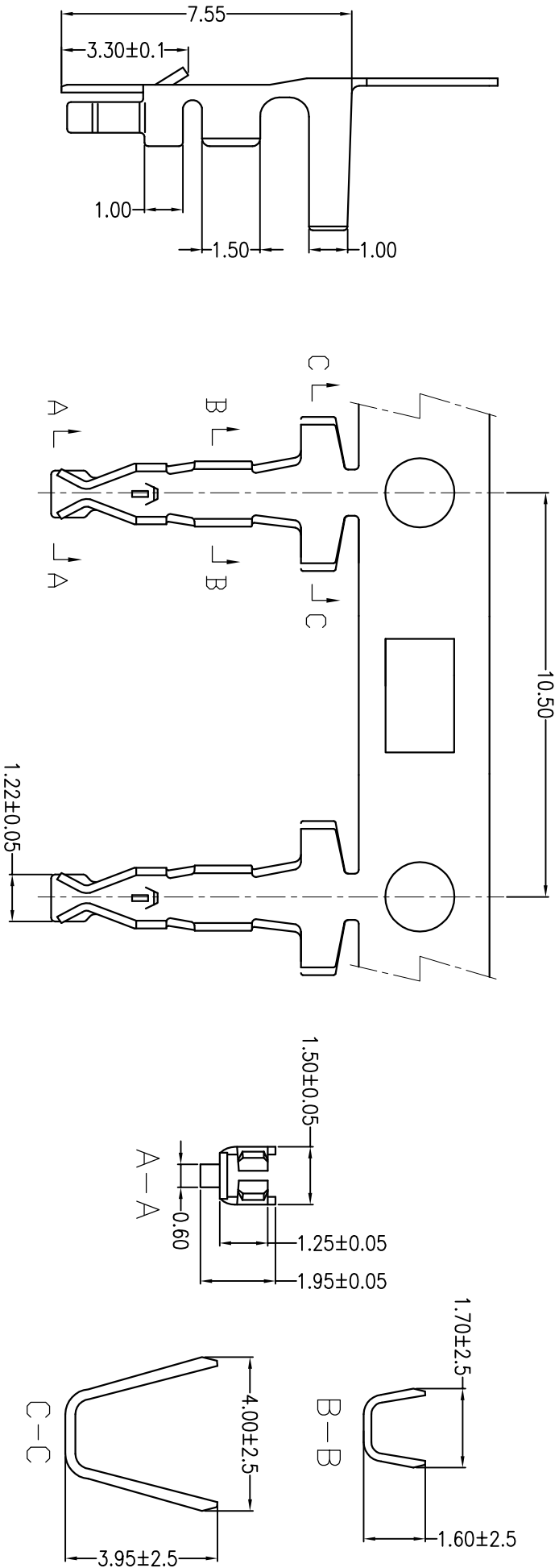


PCB LAYOUT(Tolerance:±0.05)

PIN	DIM A	DIM B	DIM C
2	10.00	4.00	6.65
3	14.00	8.00	10.65
4	18.00	12.00	14.65

JKUN 温州健坤接插件有限公司 WENZHOU JKUN CONNECTOR CO.,LTD.		TITLE: 4.0 Pitch Wafer 90° SMT	
		PART NO.: A4001AWR-**-D1CA3-R	
GENERAL TOLERANCE		USE: CUSTOMER	
X. ±0.50	X. ±5°	APPD: Steven	
X.X ±0.30	X.X ±2°	CHKD: Liuzhengling	
X.XX ±0.20	X.XX ±1°	DR: FangSongLe	
UNITS: mm		SCALE 1 : 1	SHEET 1 / 1

REV	ECN No.	DESCRIPTION	DESIGN	DATE
A0		Release	吴丹平	2017.05.31



Ordering Information & Specification:

Part No	Wire Range	Insulation O. D.	Material	Finish	Qty/Reel
A4001T-PA	AWG #22~#28	2.40mm(MAX)	Phosphor bronze	Sn-plated	

JKUN		温州健坤接插件有限公司 WENZHOU JKUN CONNECTOR CO., LTD.		TITLE: A4001T	
X.±0.5	X.±5°	USE:	CUSTOMER	PART NO.:	A4001T-PA
X.±0.3	X.±2°	APPD:	邵敬和	DWG NO.:	JKUN-GCDZ-0016
.XX±0.25	.XX±1°	CHKD:	田峰	SCALE	1 : 1
--	--	DR:	吴丹平	SHEET	1 / 1
UNITS: mm					

A B C D E F

5 4 3 2 1

A

B

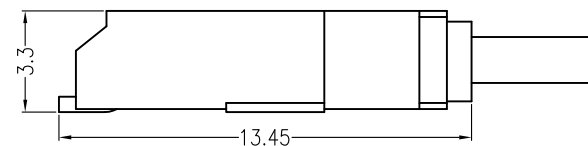
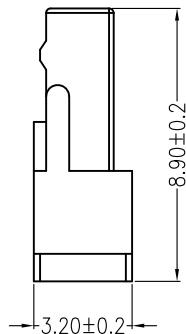
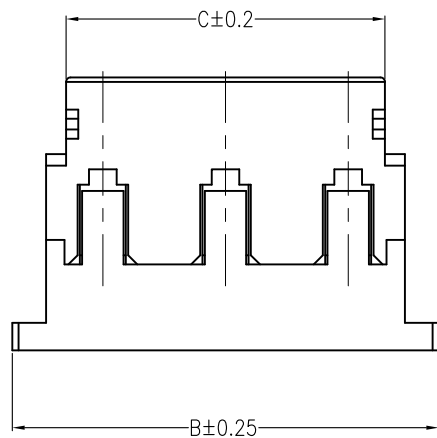
C

D

E

F

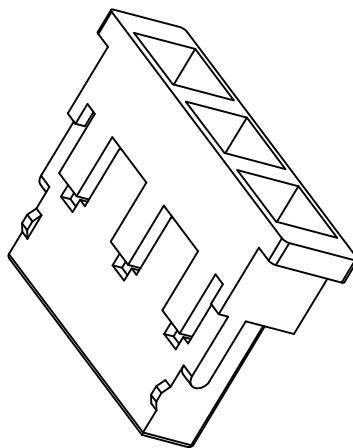
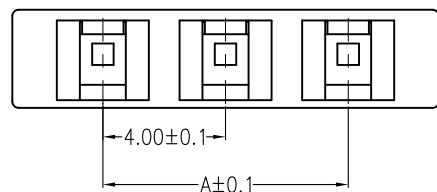
REV	ECN No.	DESCRIPTION	DESIGN	DATE
A0		NEW RELEASE	蒋建银	2018.01.17



Assembly Layout

主要技术参数 Main Specifications

线数 (Poles): 02 to 05
 额定电阻 (Contact resistance): $\leq 20m\Omega$
 绝缘电阻 (Insulation resistance): $\geq 1000M\Omega$
 额定电压 (Rated voltage): 600V AC DC
 额定电流 (Rated current): 1A AC DC
 耐电压 (Withstand Voltage): 1800V AC/minute
 温度范围 (Temperature Range): $-25^{\circ}C \sim +85^{\circ}C$



ORDER INFORMATION:

A4001Y-**-A6W-P	
PART No. _____	PACKAGING: P=PE
No. FOR CIRCUITS: _____	PLASTIC MATERIAL: A6W=PA66 (BEIGE)
**	

Circuits	Dimensions (mm)		
	A	B	C
02	4.00	9.60	6.40
03	8.00	13.60	10.40
04	12.00	17.60	14.40
05	16.00	21.60	18.40

ITEM	COMPONENT	Q'TY	MATERIAL	FINISH
C				
B				
A	HOUSING	1 PCS	PA66	COLOR:WHITE
JKUN 温州健坤接插件有限公司 WENZHOU JKUN CONNECTOR CO., LTD.				
TITLE: A4001Y 4.00mm PITCH HOUSING			PART NO.:	
X.±0.5 X.±5'			A4001Y-**-A6W-P	
.X±0.3 .X±2'			DWG NO.:	
.XX±0.25 .XX±1'			JKUN-GCCP-0580	
-- --			SCALE	
UNITS: mm			SHEET	
DR: 吴丹平			1 : 1 1 / 1	

A

B

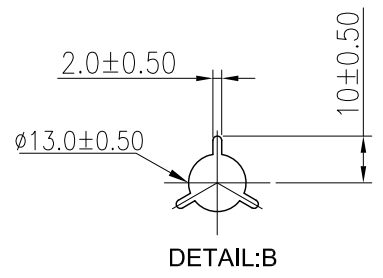
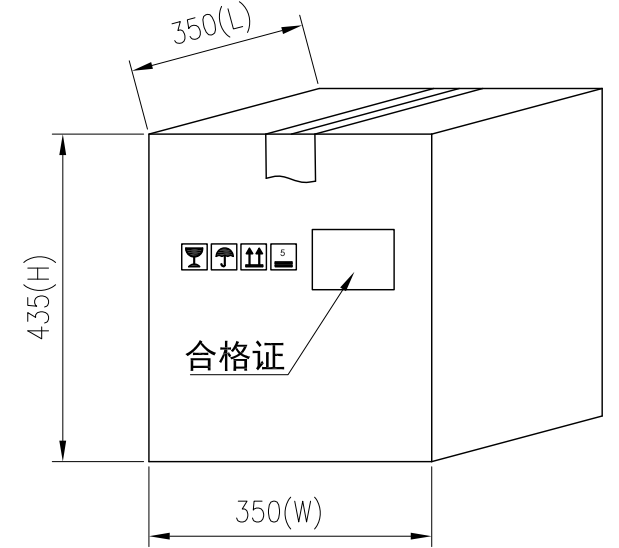
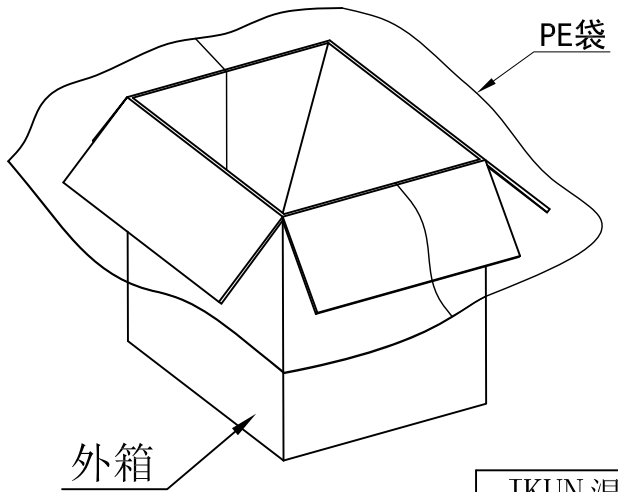
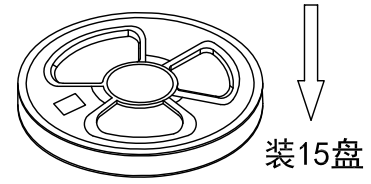
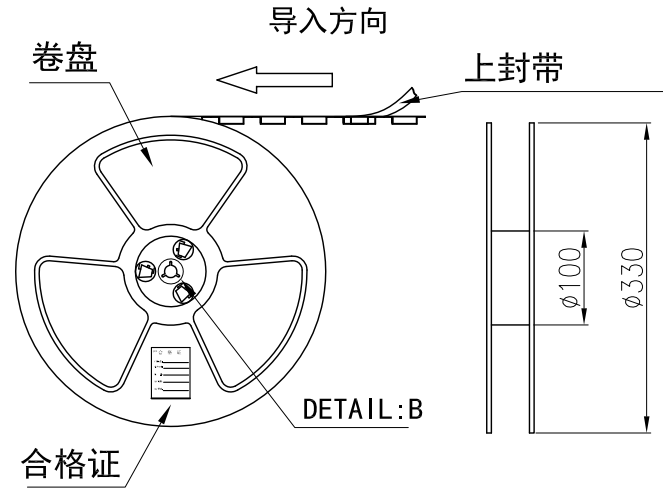
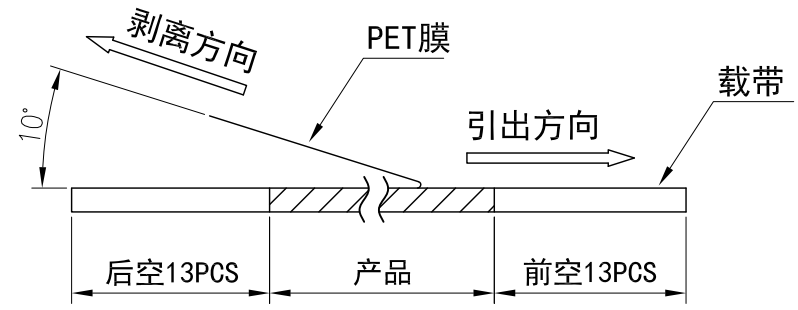
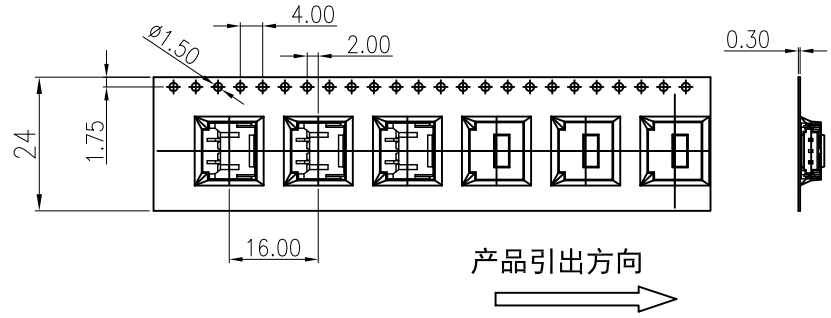
C

D

E

F

REV	ECN No.	DESCRIPTION	DESIGN	DATE
A		Release	吴丹平	2017.04.21



包装说明:

- 把成品包入卷盘中，每盘装1000PCS，每箱放15盘，卷盘上贴上合格证，将装好产品的卷盘放进外箱中，外箱内先套一个PE袋(700*800*0.1mm)，外箱上贴贴上合格证。
- 所有材料有害物控制需符合RoHS标准。

JKUN 温州健坤接插件有限公司 WENZHOU JKUN CONNECTOR CO., LTD.			TITLE: A4001AWR 包装规范	
X.±	X.±*	USE: MANUFACTURE	PART NO.: A4001AWR-02 编带	
.X±	.X±*	APPD: 刘振岭	DWG NO.: JKUN/GCBZ-0530	
.XX±	.XX±*	CHKD: 王亮	SCALE 1 : 1	
--	--	DR: 蒋建银	SHEET 1 / 1	
UNITS: mm				