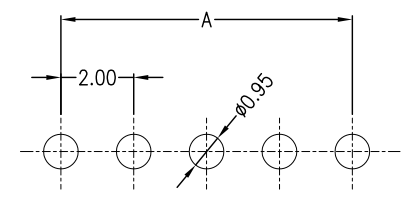
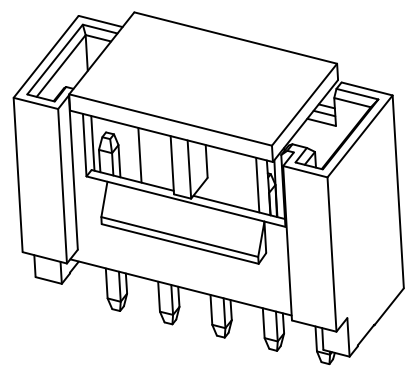
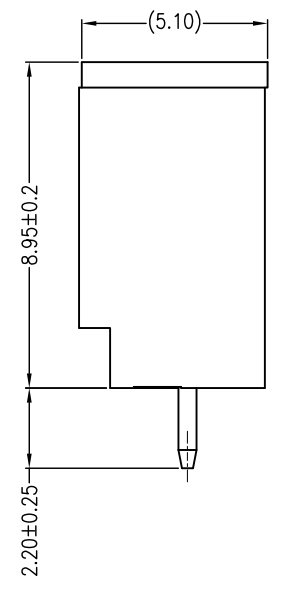
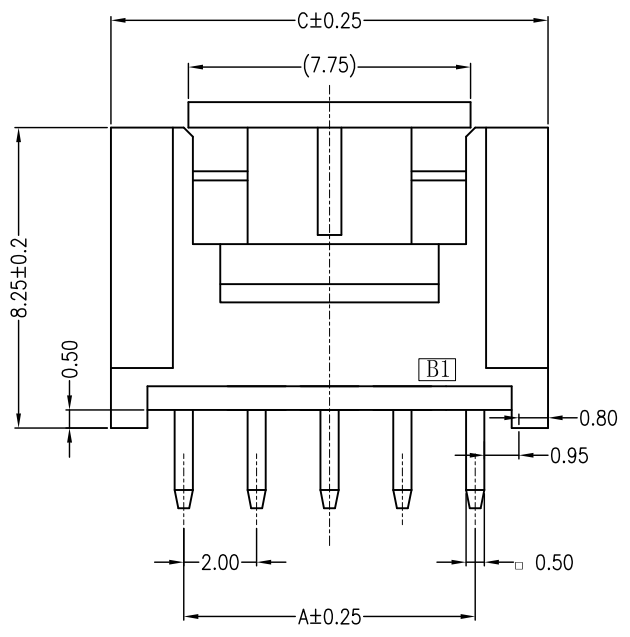
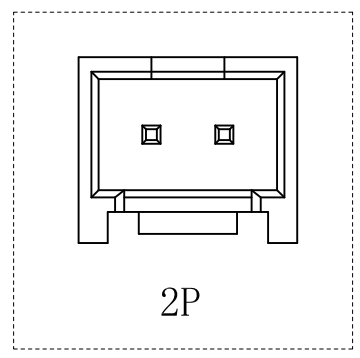
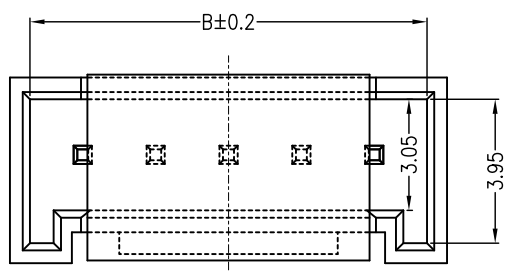


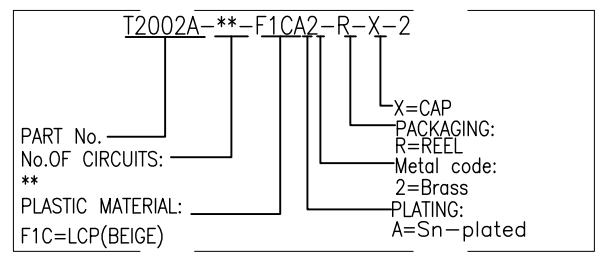
A B C D E F

1
2
3
4
5



RECOMMENDED PCB LAYOUT(TOP VIEW)
TOLERANCE:±0.05mm

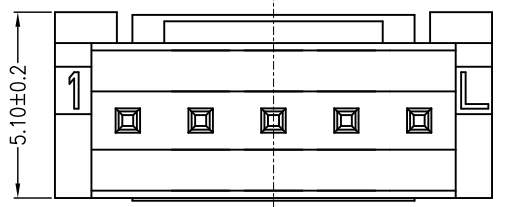
ORDER INFORMATION:



Circuits	Dimensions (mm)		
	A	B	C
02	2.00	4.90	6.00
03	4.00	6.90	8.00
04	6.00	8.90	10.00
05	8.00	10.90	12.00
06	10.00	12.90	14.00
07	12.00	14.90	16.00
08	14.00	16.90	18.00
09	16.00	18.90	20.00
10	18.00	20.90	22.00
11	20.00	22.90	24.00
12	22.00	24.90	26.00
13	24.00	26.90	28.00
14	26.00	28.90	30.00
15	28.00	30.90	32.00
16	30.00	32.90	34.00

REV	DESCRIPTION	DESIGN	DATE
A	NEW RELEASE	Lingqing	2021/06/02
B	Remove bottom Isolation reinforcement	Lingqing	2022/09/09

Specifications:
 Contact resistance: ≤20mΩ
 Insulation resistance: ≥1000MΩ
 Rated voltage: 250V AC DC
 Rated current: 2.0A AC DC
 Withstand voltage: 1000V AC/minute
 Temperature range: -25°C ~ +105°C
 Housing: LCP UL94V-0, Natural
 Cap: LCP UL94V-0, Natural
 Contacts: Brass/Sn-plated



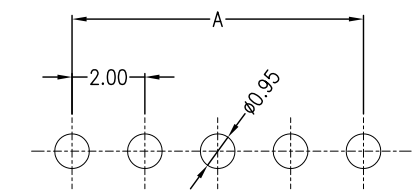
JKUN 温州健坤接插件有限公司 WENZHOU JKUN CONNECTOR CO.,LTD.		TITLE: 2.00mm pitch 180°Wafe DIP type	
GENERAL TOLERANCE		USE: CUSTOMER	PART NO.:
X. ±0.50	X. ±5'	APPD: Shaojinghe	T2002A-**-F1CA2-R-X-2
X.X ±0.30	X.X ±2'	CHKD: Fangsongle	DWG NO.:
X.XX ±0.20	X.XX ±1'	DR: Zenglingqing	JKUN-GCKH-1515
UNITS: mm		SCALE 1 : 1	SHEET 1 / 1

A B C D E F

REV	DESCRIPTION	DESIGN	DATE
A	NEW RELEASE	Lingqing	2021/06/02
B	Remove bottom Isolation reinforcement	Lingqing	2022/09/09

Specifications:
 Contact resistance: $\leq 20m\Omega$
 Insulation resistance: $\geq 1000M\Omega$
 Rated voltage: 250V AC DC
 Rated current: 2.0A AC DC
 Withstand voltage: 1000V AC/minute
 Temperature range: $-25^{\circ}C \sim +105^{\circ}C$
 Housing: LCP UL94V-0, Natural
 Contacts: Brass/Sn-plated

Circuits	Dimensions (mm)		
	A	B	C
02	2.00	4.90	6.00
03	4.00	6.90	8.00
04	6.00	8.90	10.00
05	8.00	10.90	12.00
06	10.00	12.90	14.00
07	12.00	14.90	16.00
08	14.00	16.90	18.00
09	16.00	18.90	20.00
10	18.00	20.90	22.00
11	20.00	22.90	24.00
12	22.00	24.90	26.00
13	24.00	26.90	28.00
14	26.00	28.90	30.00
15	28.00	30.90	32.00
16	30.00	32.90	34.00



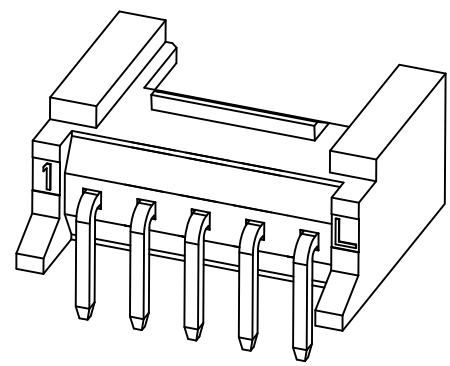
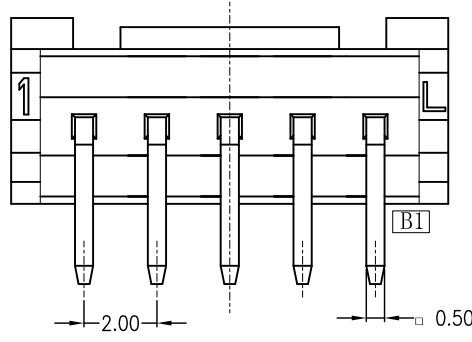
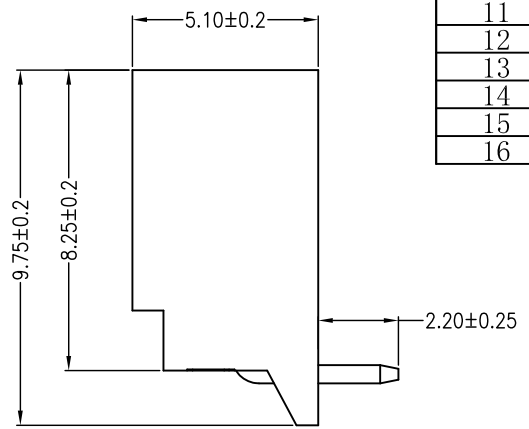
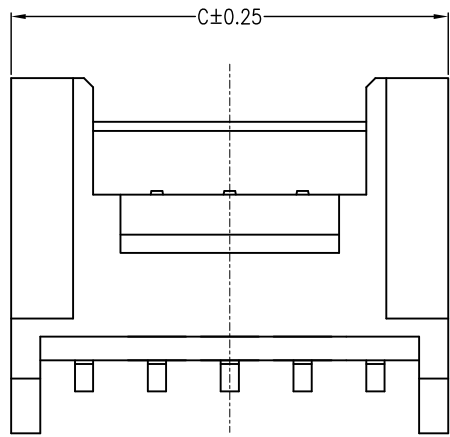
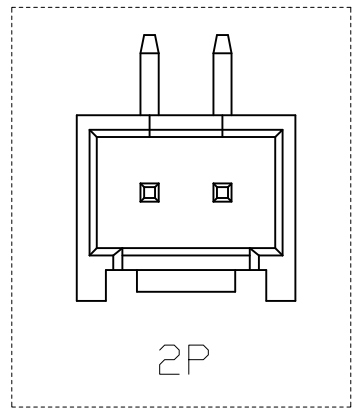
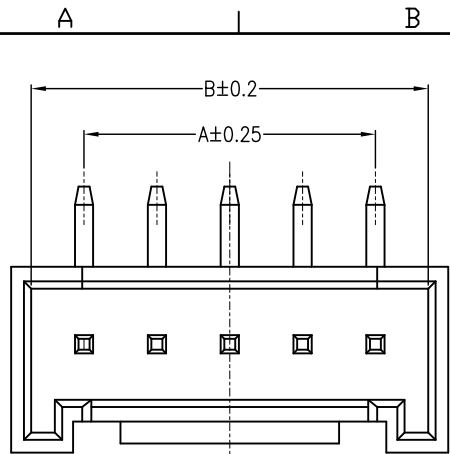
RECOMMENDED PCB LAYOUT (TOP VIEW)
 TOLERANCE: $\pm 0.05mm$

ORDER INFORMATION:

T2002AWD-**-F1CA2-R

PART No. _____	PACKAGING: R=REEL
No.OF CIRCUITS: _____	Metal code: 2=Brass
02~16	PLATING: A=Sn-plated
PLASTIC MATERIAL: _____	
F1C=LCP(BEIGE)	

JKUN 温州健坤接插件有限公司 WENZHOU JKUN CONNECTOR CO.,LTD.		TITLE: 2.00mm pitch 90°Wafe DIP type	
GENERAL TOLERANCE		USE: CUSTOMER	PART NO.:
X. ± 0.50	X. $\pm 5^{\circ}$	APPD: Shaojinghe	T2002AWD-**-F1CA2-R
X.X ± 0.30	X.X $\pm 2^{\circ}$	CHKD: Fangsongle	DWG NO.:
X.XX ± 0.20	X.XX $\pm 1^{\circ}$	DR: Zenglingqing	JKUN-GCKH-0929
		UNITS: mm	SCALE
			1 : 1
			SHEET
			1 / 1



A B C D E F

1

2

3

4

5

1

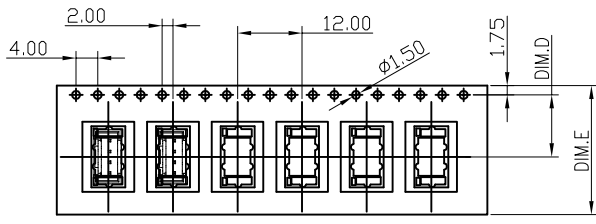
2

3

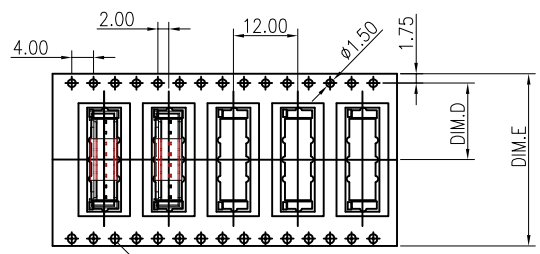
4

5

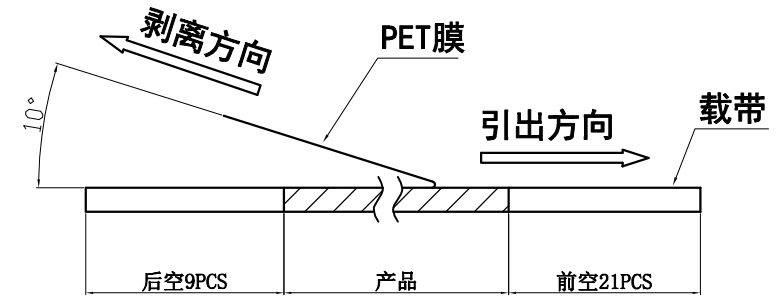
REV	ECN No.	DESCRIPTION	DESIGN	DATE
A		Release	程永海	2022.11.26



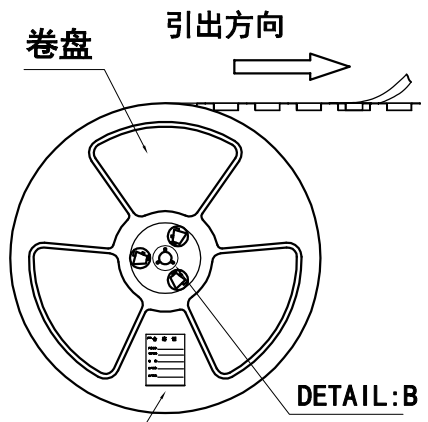
02~06 CONTACTS



07~10、14 CONTACTS

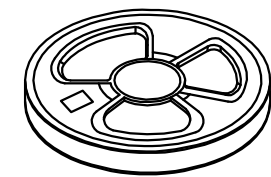


(PET膜剥离示意图)

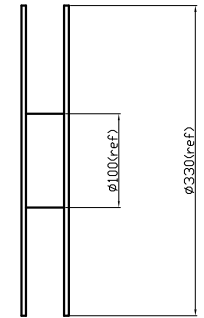


合格证

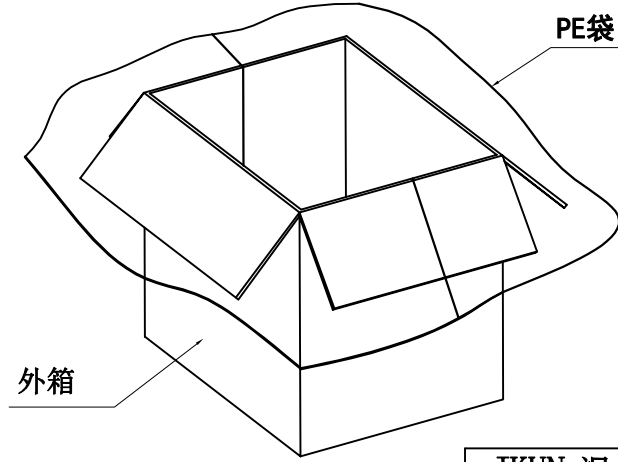
DETAIL:B



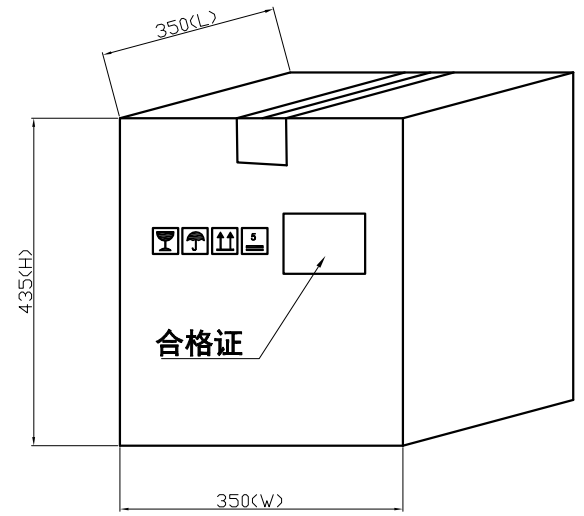
装*盘(参考列表一)



PE袋



外箱



合格证

列表一

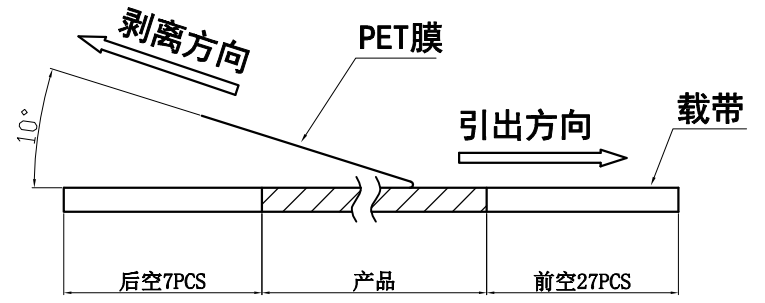
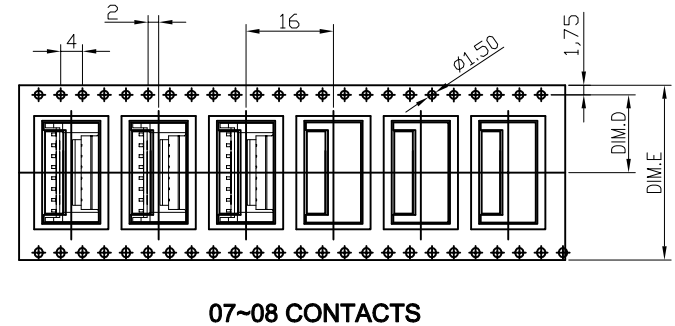
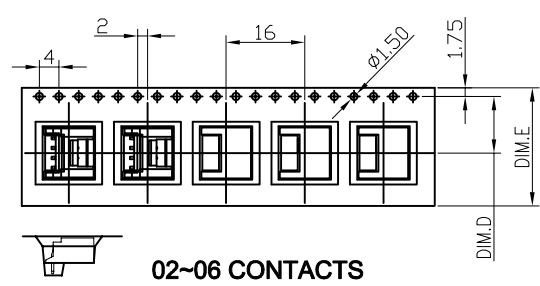
Circuits	DIM. D	DIM. E	Q'ty/Reel	Packing (Reel/Caton)
02-03 PIN	7.5	16	450PCS	20/Reel
04-06 PIN	11.5	24	450PCS	15/Reel
07-08 PIN	14.2	32	450PCS	11/Reel
10、14 PIN	20.2	44	450PCS	8/Reel

包装说明:

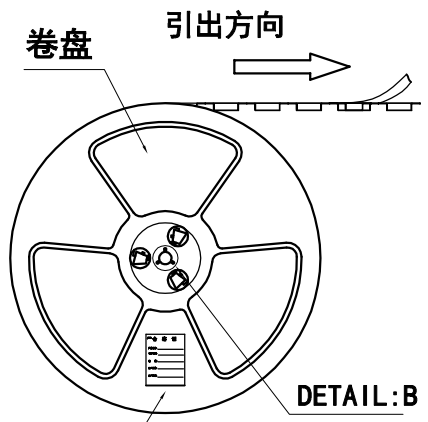
- 把成品包入卷盘中, 每盘装450PCS, 卷盘上贴上合格证, 将装好产品的卷盘放进外箱中, 外箱内先套一个大PE袋, 外箱上贴贴上合格证。
- 所有材料有害物控制需符合RoHS标准。

JKUN 温州健坤接插件有限公司 WENZHOU JKUN CONNECTOR CO., LTD.			TITLE: T2002A	
X.± 0.5	X.±*	USE: MANUFACTURE	PART NO.:	
.X± 0.3	.X±*	APPD: 朱志刚	T2002A包装规范	
.XX±0.25	.XX±*	CHKD: 蒋建银	DWG NO.:	
--	--	DR: 程永海	JKUN-GCKH-0928	
⊕	◁	UNITS: mm	SCALE 1 : 1	SHEET 1 / 1

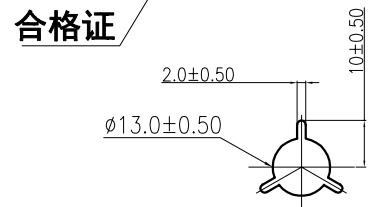
REV	ECN No.	DESCRIPTION	DESIGN	DATE
A		Release	程永海	2023.05.08



(PET膜剥离示意图)

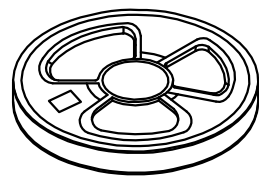


DETAIL:B

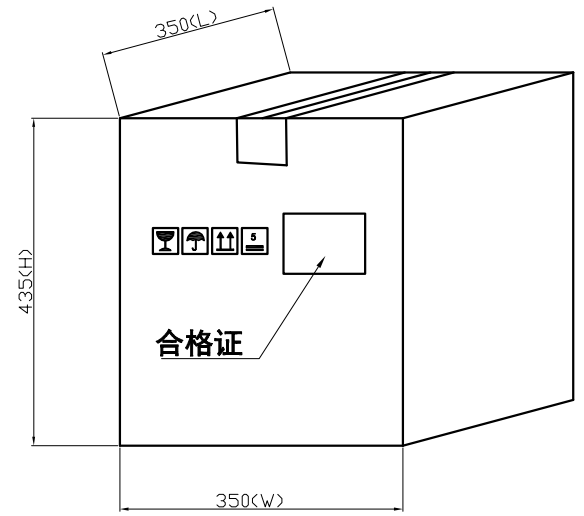
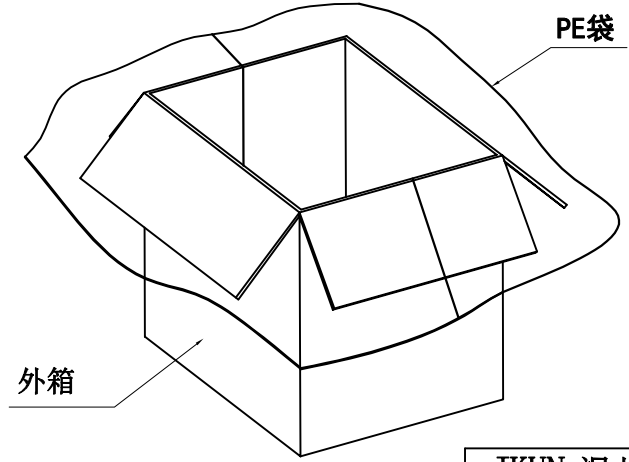


DETAIL:B

产品引出方向
→



装*盘(参考列表一)



列表一

Circuits	DIM. D	DIM. E	Q'ty/Reel	Packing (Reel/Caton)
02-03 PIN	7.5	16	500PCS	20/Reel
04-06 PIN	11.5	24	500PCS	15/Reel
07-08 PIN	14.2	32	500PCS	11/Reel

包装说明:

- 把成品包入卷盘中, 每盘装500PCS, 卷盘上贴上合格证, 将装好产品的卷盘放进外箱中, 外箱内先套一个大PE袋, 外箱上贴贴上合格证。
- 所有材料有害物控制需符合RoHS标准。

JKUN 温州健坤接插件有限公司 WENZHOU JKUN CONNECTOR CO., LTD.			TITLE: T2002AWD	
X.± 0.5	X.±'	USE: MANUFACTURE	PART NO.: T2002AWD包装规范	
.X± 0.3	.X±'	APPD: 朱志刚	DWG NO.: JKUN-GCKH-0929	
.XX±0.25	.XX±'	CHKD: 蒋建银	SCALE 1 : 1	
--	--	DR: 程永海	SHEET 1 / 1	
UNITS: mm				