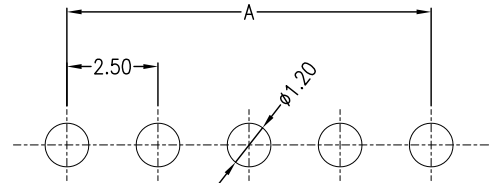
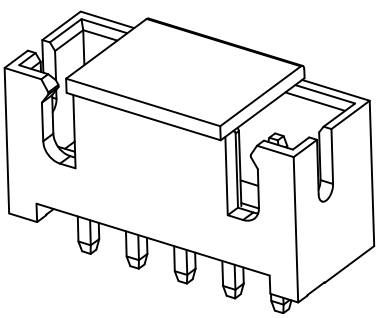
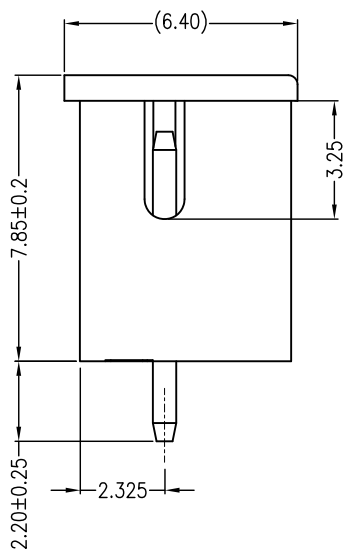
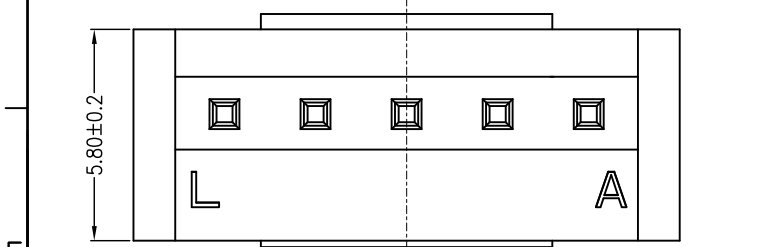
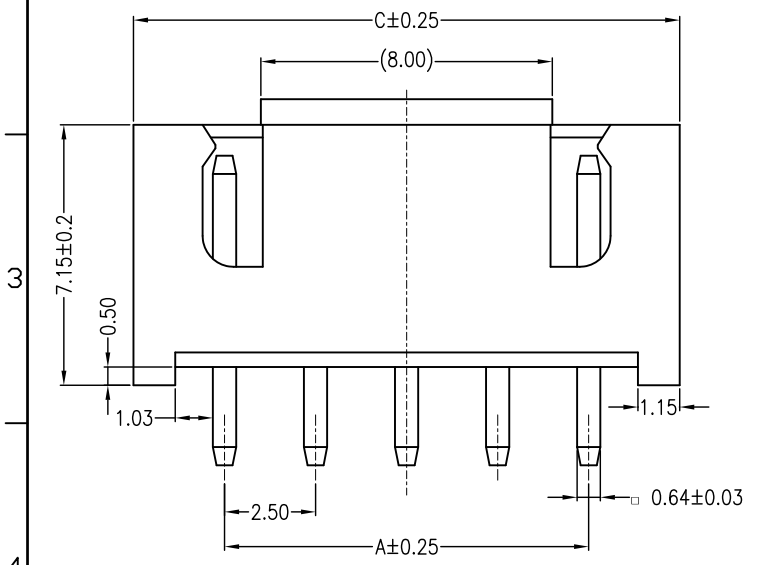
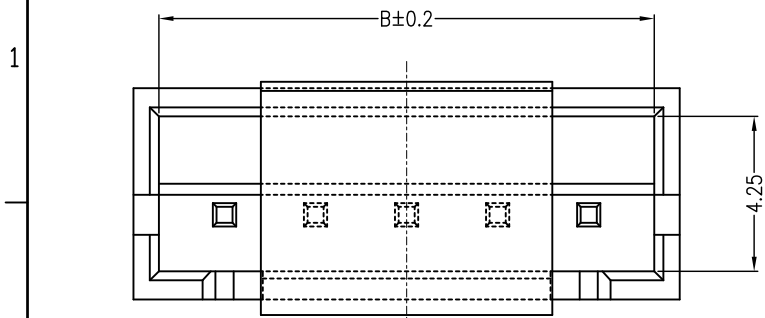


A | B | C | D | E | F

Circuits	Dimensions (mm)		
	A	B	C
02	2.50	6.10	7.50
03	5.00	8.60	10.00
04	7.50	11.10	12.50
05	10.00	13.60	15.00
06	12.50	16.10	17.50
07	15.00	18.60	20.00
08	17.50	21.10	22.50
09	20.00	23.60	25.00
10	22.50	26.10	27.50
11	25.00	28.60	30.00
12	27.50	31.10	32.50
13	30.00	33.60	35.00
14	32.50	36.10	37.50
15	35.00	38.60	40.00
16	37.50	41.10	42.50

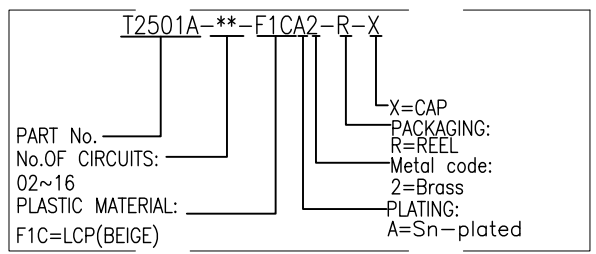
REV	DESCRIPTION	DESIGN	DATE
A	NEW RELEASE	Lingqing	2021/06/02

Specifications:
 Contact resistance: ≤20mΩ
 Insulation resistance: ≥1000MΩ
 Rated voltage: 250V AC DC
 Rated current: 3.0A AC DC
 Withstand voltage: 1000V AC/minute
 Temperature range: -25°C ~ +105°C
 Housing: LCP UL94V-0, Natural
 Cap: LCP UL94V-0, Natural
 Contacts: Brass/Sn-plated



RECOMMENDED PCB LAYOUT (TOP VIEW)
 TOLERANCE: ±0.05mm

ORDER INFORMATION:



JKUN 温州健坤接插件有限公司
 WENZHOU JKUN CONNECTOR CO.,LTD.

TITLE:
 2.50mm pitch 180°Wafe DIP type

GENERAL TOLERANCE		USE:
X. ±0.50	X. ±5'	CUSTOMER
X.X ±0.30	X.X ±2'	APPD: Shaojinghe
X.XX ±0.20	X.XX ±1'	CHKD: Fangsongle
⊕	∇	DR: Zenglingqing
UNITS: mm		

PART NO.:	
T2501A-**-F1CA2-R-X	
DWG NO.:	
JKUN-GCKH-0930	
SCALE	SHEET
1 : 1	1 / 1

A | B | C | D | E | F

5

4

4

3

3

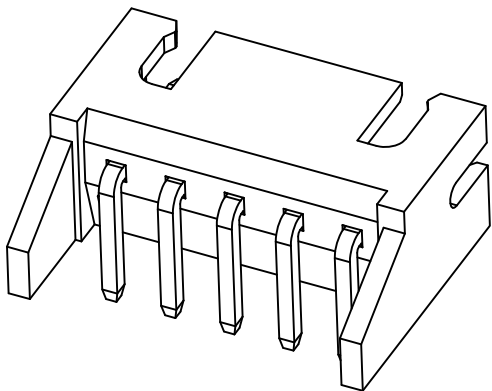
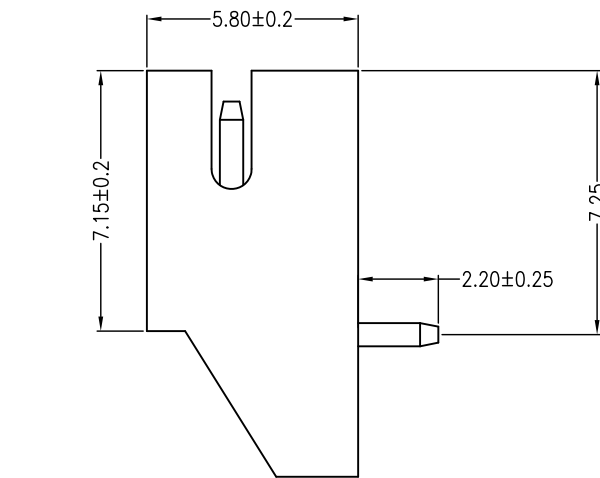
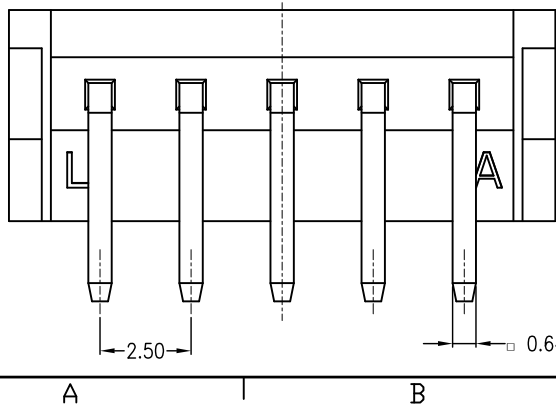
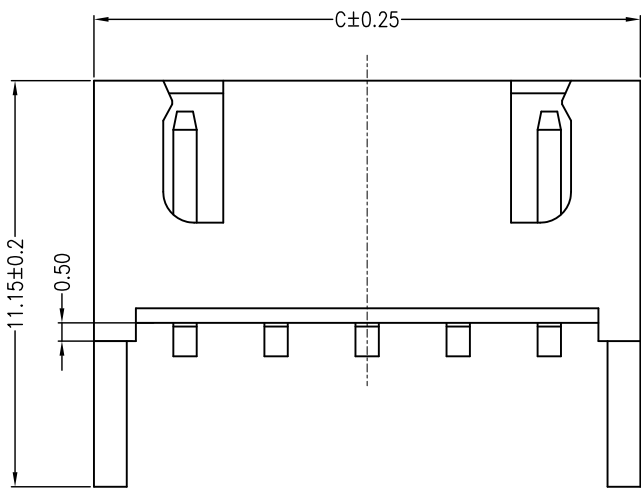
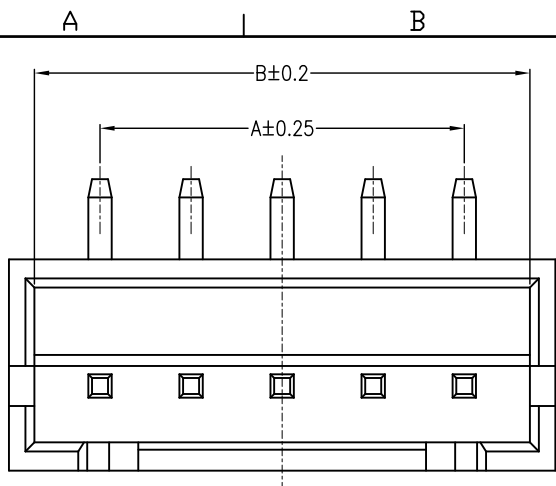
2

2

1

1

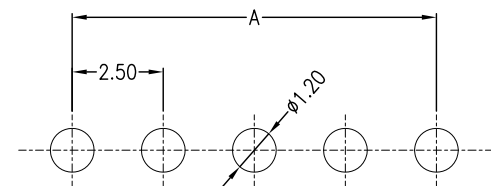
1



Circuits	Dimensions (mm)		
	A	B	C
02	2.50	6.10	7.50
03	5.00	8.60	10.00
04	7.50	11.10	12.50
05	10.00	13.60	15.00
06	12.50	16.10	17.50
07	15.00	18.60	20.00
08	17.50	21.10	22.50
09	20.00	23.60	25.00
10	22.50	26.10	27.50
11	25.00	28.60	30.00
12	27.50	31.10	32.50
13	30.00	33.60	35.00
14	32.50	36.10	37.50
15	35.00	38.60	40.00
16	37.50	41.10	42.50

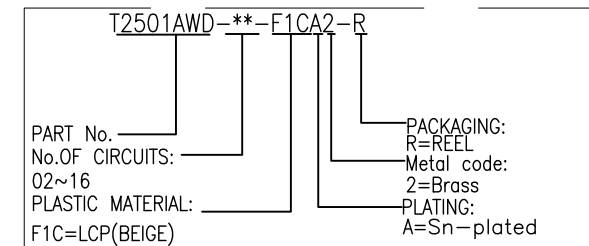
REV	DESCRIPTION	DESIGN	DATE
A	NEW RELEASE	Lingqing	2021/06/02

Specifications:
 Contact resistance: $\leq 20m\Omega$
 Insulation resistance: $\geq 1000M\Omega$
 Rated voltage: 250V AC DC
 Rated current: 3.0A AC DC
 Withstand voltage: 1000V AC/minute
 Temperature range: $-25^{\circ}C \sim +105^{\circ}C$
 Housing: LCP UL94V-0, Natural
 Contacts: Brass/Sn-plated



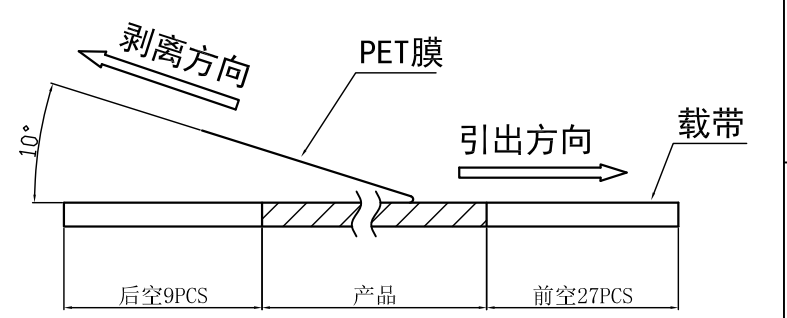
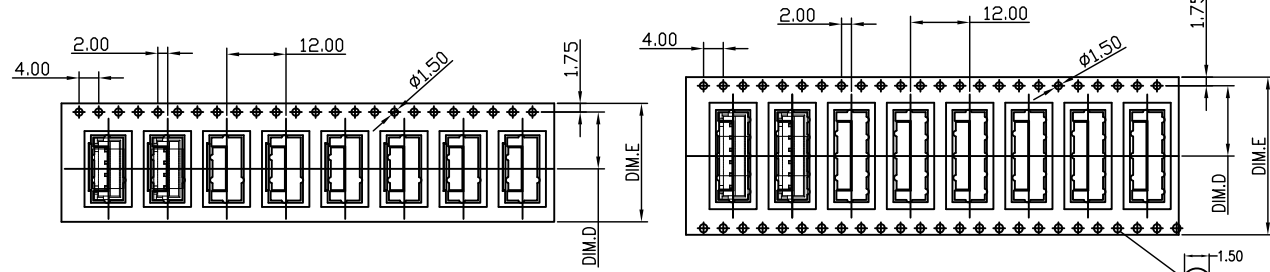
RECOMMENDED PCB LAYOUT(TOP VIEW)
 TOLERANCE: $\pm 0.05mm$

ORDER INFORMATION:



JKUN 温州健坤接插件有限公司 WENZHOU JKUN CONNECTOR CO.,LTD.		TITLE: 2.5mm pitch 90°Wafe DIP type	
GENERAL TOLERANCE		USE: CUSTOMER	PART NO.:
X. ± 0.50	X. $\pm 5^{\circ}$	APPD: Shaojinghe	T2501AWD-**-F1CA2-R
X.X ± 0.30	X.X $\pm 2^{\circ}$	CHKD: Fangsongle	DWG NO.:
X.XX ± 0.20	X.XX $\pm 1^{\circ}$	DR: Zenglingqing	JKUN-GCKH-0931
		UNITS: mm	SCALE
			1 : 1
			SHEET
			1 / 1

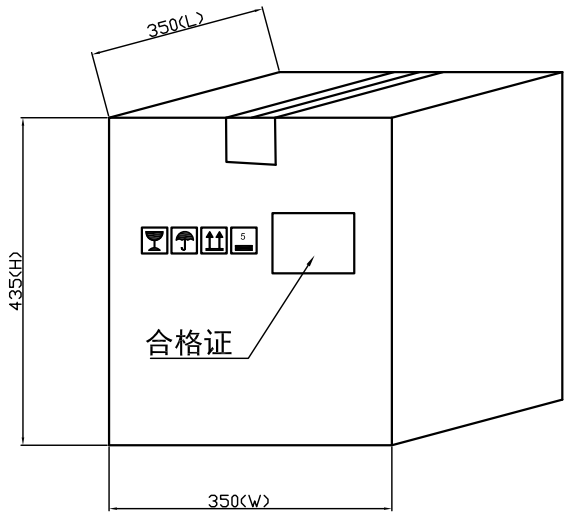
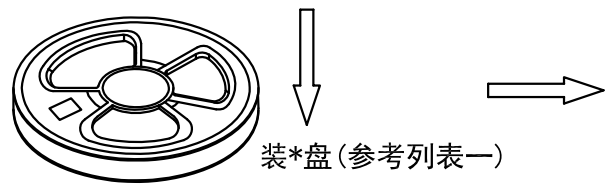
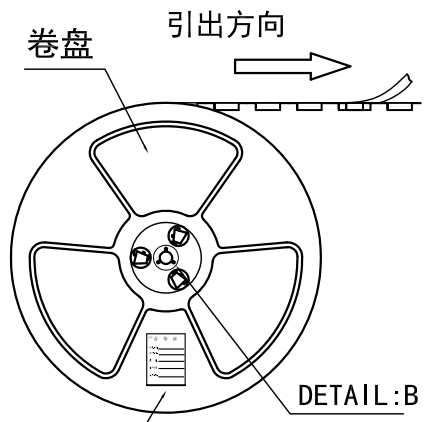
REV	ECN No.	DESCRIPTION	DESIGN	DATE
A		Release	程永海	2022.06.02



02~05 CONTACTS

06~07 CONTACTS

(PET膜剥离示意图)



列表一

Circuits	DIM. D	DIM. E	Q'ty/Reel	Packing (Reel/Caton)
02 PIN	7.5	16	500PCS	20/Reel
03-05 PIN	11.5	24	500PCS	15/Reel
06-07 PIN	14.25	32	500PCS	11/Reel

包装说明:

- 把成品包入卷盘中, 每盘装500PCS, 卷盘上贴上合格证, 将装好产品的卷盘放进外箱中, 外箱内先套一个大PE袋, 外箱上贴贴上合格证。
- 所有材料有害物控制需符合RoHS标准。

JKUN 温州健坤接插件有限公司 WENZHOU JKUN CONNECTOR CO., LTD.			TITLE: T2501A	
X.± 0.5	X.±*	USE: MANUFACTURE	PART NO.:	
.X± 0.3	.X±*	APPD: 邵敬和	T2501A包装规范	
.XX±0.25	.XX±*	CHKD: 蒋建银	DWG NO.:	
--	--	DR: 程永海	JKUN-GCKH-0930	
UNITS: mm		SCALE 1 : 1	SHEET 1 / 1	